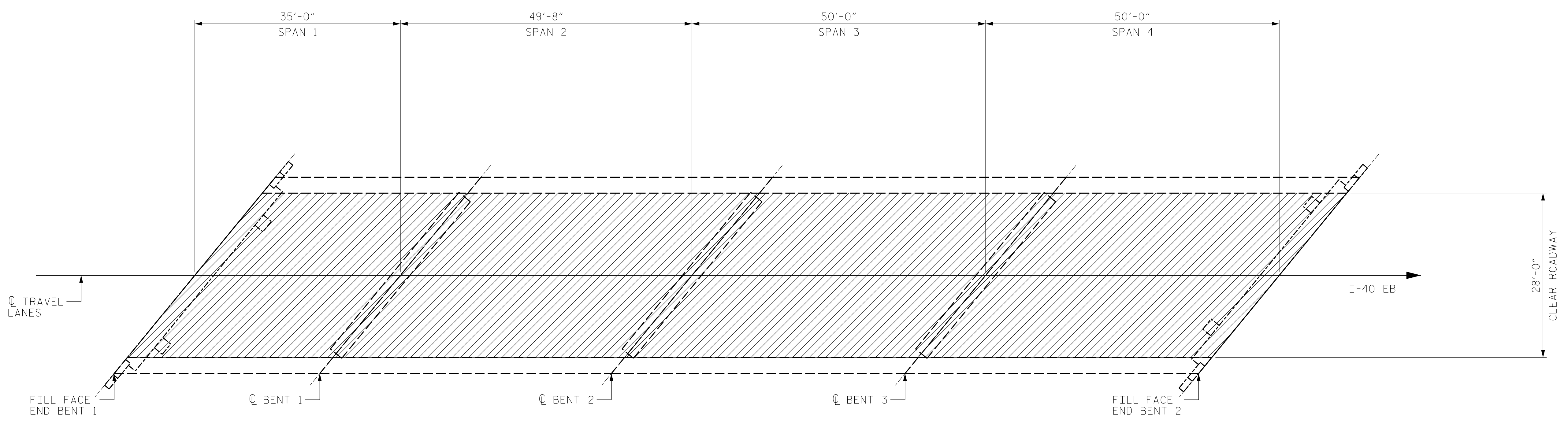


AS-BUILT REPAIR QUANTITY TABLE

	SPAN 1		SPAN 2		SPAN 3		SPAN 4	
	ESTIMATE	ACTUAL	ESTIMATE	ACTUAL	ESTIMATE	ACTUAL	ESTIMATE	ACTUAL
ASPHALT CONCRETE SURFACE COURSE, TYPE S9.5C	13 TON		18 TON		18 TON		18 TON	
ASPHALT BINDER FOR PLANT MIX	0.8 TON		1.1 TON		1.1 TON		1.1 TON	



PLAN

NOTES:

- WORK THIS SHEET WITH "JOINT DETAILS" SHEET.
- WORK THIS SHEET WITH "TYPICAL SECTION" SHEET.
- WORK THIS SHEET WITH "DECK REPAIR DETAILS" SHEET.
- FOR NEW ASPHALT PLACEMENT, SEE STANDARD SPECIFICATIONS.

 ASPHALT CONCRETE SURFACE COURSE, TYPE S9.5C

DRAWN BY : FIDEL L. FLORES DATE : 01/2022
 CHECKED BY : JACOB H. DUKE DATE : 01/2022
 DESIGN ENGINEER OF RECORD: DIEGO A. AGUIRRE DATE : 01/2022

4/21/2022
 I5915B.SMU.DSR02.480065.dgn
 daguirre



PROJECT NO. I-5915B
IREDELL COUNTY
 BRIDGE NO. 480065

SHEET 2 OF 2

STATE OF NORTH CAROLINA
 DEPARTMENT OF TRANSPORTATION
 RALEIGH
 PLAN OF SPANS
 ASPHALT WEARING SURFACE

DOCUMENT NOT CONSIDERED
 FINAL UNLESS ALL
 SIGNATURES COMPLETED

REVISIONS						SHEET NO.
NO.	BY:	DATE:	NO.	BY:	DATE:	
1			3			S9-4
2			4			TOTAL SHEETS 12