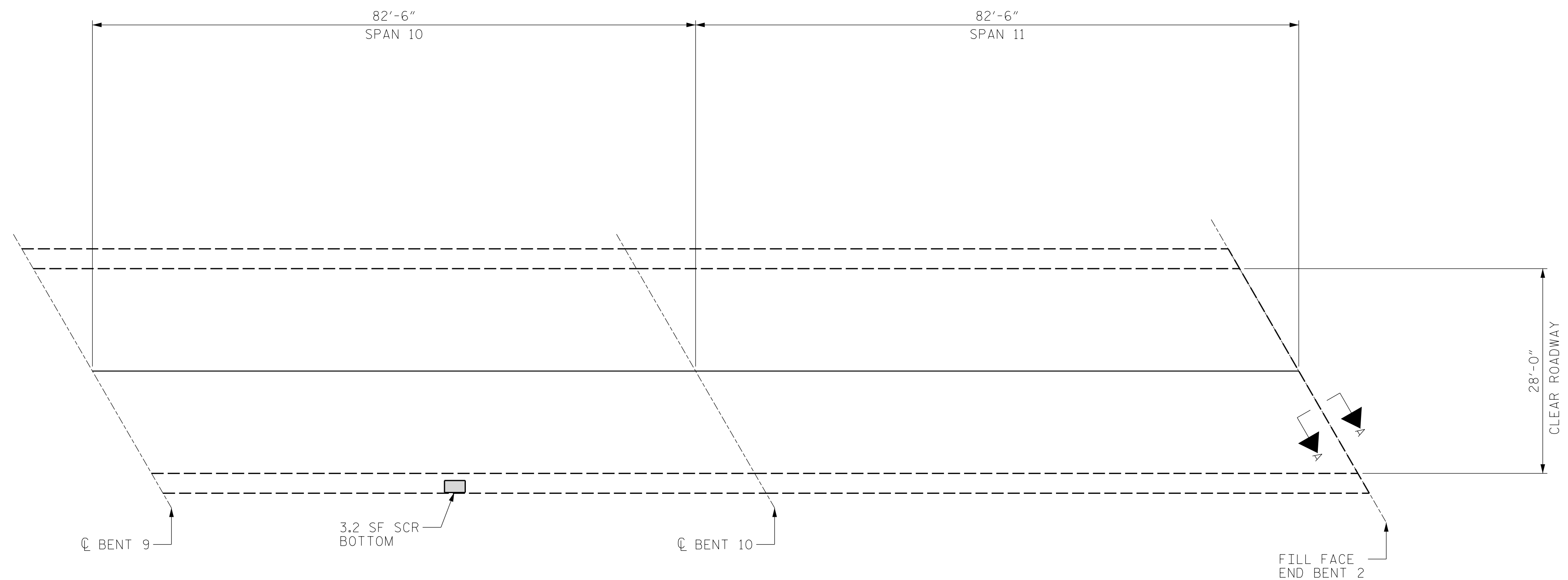
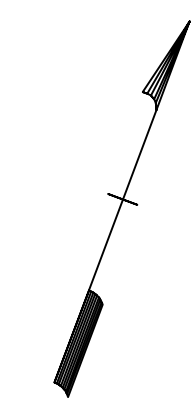


# AS-BUILT REPAIR QUANTITY TABLE

DECK REPAIRS								
	SPAN 10				SPAN 11			
	ESTIMATE		ACTUAL		ESTIMATE		ACTUAL	
	AREA	VOLUME	AREA	VOLUME	AREA	VOLUME	AREA	VOLUME
SHOTCRETE REPAIR AREA (SCR)	3.2 SF	1.6 CF			-- SF	-- CF		
SHOTBLASTING BRIDGE DECK	257 SY				257 SY			
SILANE DECK TREATMENT	257 SY				257 SY			
ASPHALT CONCRETE SURFACE COURSE, TYPE S9.5C	29 TONS				29 TONS			
ASPHALT BINDER FOR PLANT MIX	1.8 TONS				1.8 TONS			



PARTIAL PLAN

**NOTES:**

- PRIOR TO SURFACE PREPARATION, REMOVE ALL LOOSE, DISINTEGRATED, UNSOUND OR CONTAMINATED CONCRETE FROM THE BRIDGE DECK.
- BRIDGE DECK SHOTBLASTING AND SILANE SEAL TREATMENT LIMITS ARE THE FULL CLEAR ROADWAY WIDTH (INSIDE FACE OF EACH BRIDGE RAIL).
- FOR CONCRETE FOR DECK REPAIR, SEE SPECIAL PROVISIONS.
- FOR SILANE DECK TREATMENT AND SHOTBLASTING BRIDGE DECK, SEE SPECIAL PROVISIONS.
- WORK THIS SHEET WITH "JOINT DETAILS" SHEET.
- WORK THIS SHEET WITH "TYPICAL SECTION" SHEET.
- FOR NEW ASPHALT PLACEMENT, SEE STANDARD SPECIFICATIONS.

REPAIR LOCATIONS AND ESTIMATED QUANTITIES ARE GIVEN WITH THE BEST INFORMATION AVAILABLE. IF ADDITIONAL REPAIRS NOT SHOWN ON THE DRAWINGS ARE DEEMED NECESSARY BY THE ENGINEER, THE ENGINEER WILL NOTE ON THE DRAWINGS THE APPROXIMATE LOCATIONS AND DESCRIPTION OF THE REPAIRS AND ADJUST THE ACTUAL QUANTITIES ENTERED INTO THE AS-BUILT REPAIR QUANTITY TABLE.

ASPHALT CONCRETE SURFACE COURSE, TYPE S9.5C  
 SILANE SEAL DECK TREATMENT  
 DEFECTS (SEE PLAN CALLOUT FOR DETAILS)

DRAWN BY : ALLEN J. MCSWAIN DATE : 01/2022  
 CHECKED BY : JACOB H. DUKE DATE : 01/2022  
 DESIGN ENGINEER OF RECORD: DIEGO A. AGUIRRE DATE : 01/2022



PROJECT NO. I-5915B  
 IREDELL COUNTY  
 BRIDGE NO. 480007

SHEET 4 OF 4



STATE OF NORTH CAROLINA  
 DEPARTMENT OF TRANSPORTATION  
 RALEIGH  
 PLAN OF SPANS  
 DECK REPAIRS

DOCUMENT NOT CONSIDERED FINAL UNLESS ALL SIGNATURES COMPLETED

REVISIONS						SHEET NO.
NO.	BY:	DATE:	NO.	BY:	DATE:	S6-6
1			3			TOTAL SHEETS
2			4			24