

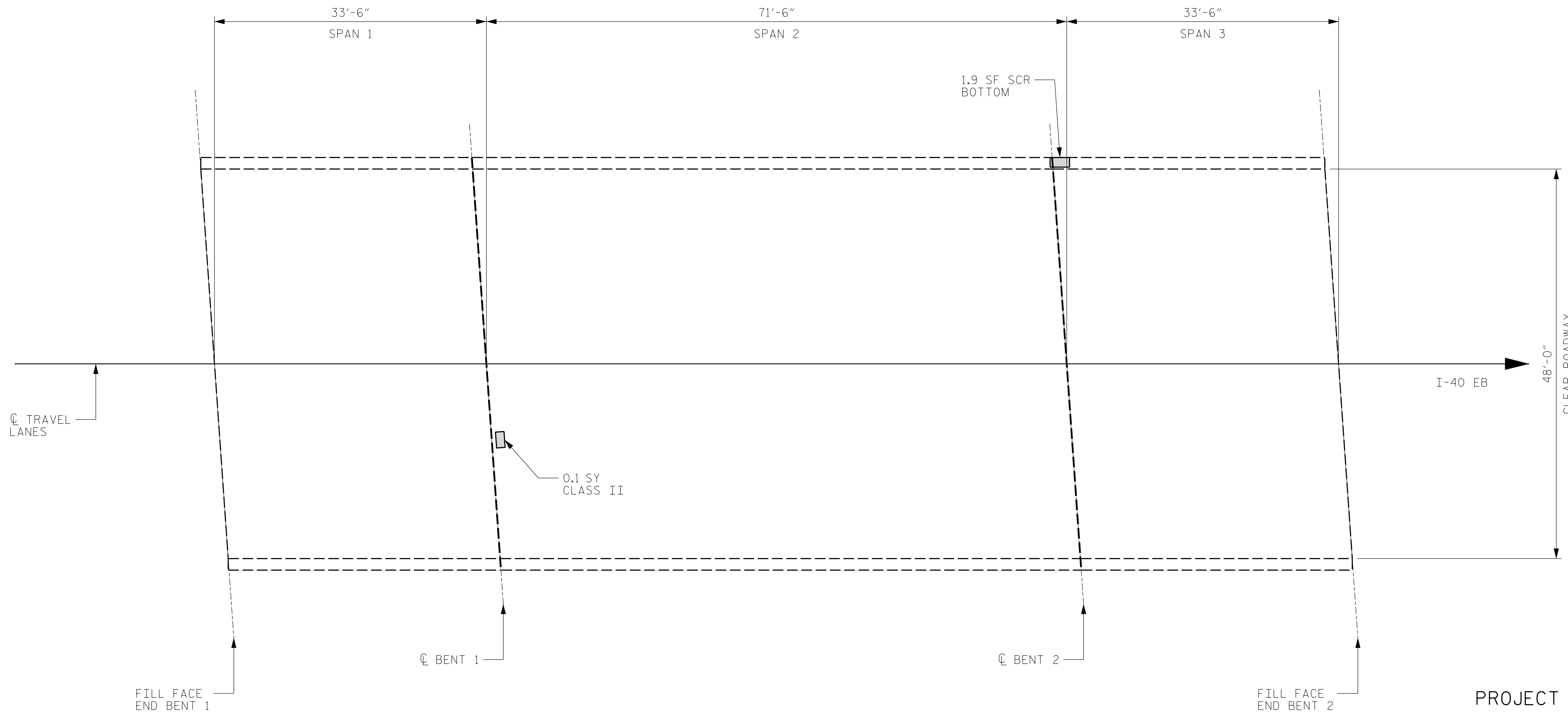
# AS-BUILT REPAIR QUANTITY TABLE

## SUPERSTRUCTURE REPAIRS

	SPAN 1				SPAN 2				SPAN 3			
	ESTIMATE		ACTUAL		ESTIMATE		ACTUAL		ESTIMATE		ACTUAL	
	AREA	VOLUME	AREA	VOLUME	AREA	VOLUME	AREA	VOLUME	AREA	VOLUME	AREA	VOLUME
SHOTCRETE REPAIR AREA (SCR)	-- SF	-- CF			-- SF	-- CF			1.9 SF	0.7 CF		
	ESTIMATE		ACTUAL		ESTIMATE		ACTUAL		ESTIMATE		ACTUAL	
CLASS II REPAIR	-- SY				0.1 SY				-- SY			

**LEGEND:** \_\_\_\_\_

SCR SHOTCRETE REPAIR AREA



PLAN

PROJECT NO. I-5915B  
CATAWBA COUNTY  
 BRIDGE NO. 170171

**NOTES:**

PRIOR TO SURFACE PREPARATION, REMOVE ALL LOOSE, DISINTEGRATED, UNSOUND OR CONTAMINATED CONCRETE FROM THE BRIDGE DECK.

FOR CONCRETE FOR DECK REPAIR, SEE SPECIAL PROVISIONS.

FOR SCARIFYING BRIDGE DECK, SEE OVERLAY SURFACE PREPARATION SPECIAL PROVISION.

REPAIR LOCATIONS AND ESTIMATED QUANTITIES ARE GIVEN WITH THE BEST INFORMATION AVAILABLE. IF ADDITIONAL REPAIRS NOT SHOWN ON THE DRAWINGS ARE DEEMED NECESSARY BY THE ENGINEER, THE ENGINEER WILL NOTE ON THE DRAWINGS THE APPROXIMATE LOCATIONS AND DESCRIPTION OF THE REPAIRS AND ADJUST THE ACTUAL QUANTITIES ENTERED INTO THE AS-BUILT REPAIR QUANTITY TABLE.

DEFECTS (SEE PLAN  
 CALLOUT FOR DETAILS)

DRAWN BY : ALLEN J. MCSWAIN DATE : 01/2022  
 CHECKED BY : FIDEL L. FLORES DATE : 01/2022  
 DESIGN ENGINEER OF RECORD: DIEGO A. AGUIRRE DATE : 01/2022



4/21/2022  
 I5915B.SMU.DSR01.170171.dgn  
 daguirre



**KISINGER CAMPO & ASSOCIATES**  
 301 FAYETTEVILLE ST., SUITE 1500  
 RALEIGH, NC 27601 (919) 882-7839  
 NC FIRM LICENSE: C-1506

STATE OF NORTH CAROLINA  
 DEPARTMENT OF TRANSPORTATION  
 RALEIGH

PLAN OF SPANS  
 DECK REPAIRS

REVISIONS						SHEET NO.
NO.	BY:	DATE:	NO.	BY:	DATE:	S1-3
1			3			TOTAL SHEETS
2			4			7

DOCUMENT NOT CONSIDERED  
 FINAL UNLESS ALL  
 SIGNATURES COMPLETED