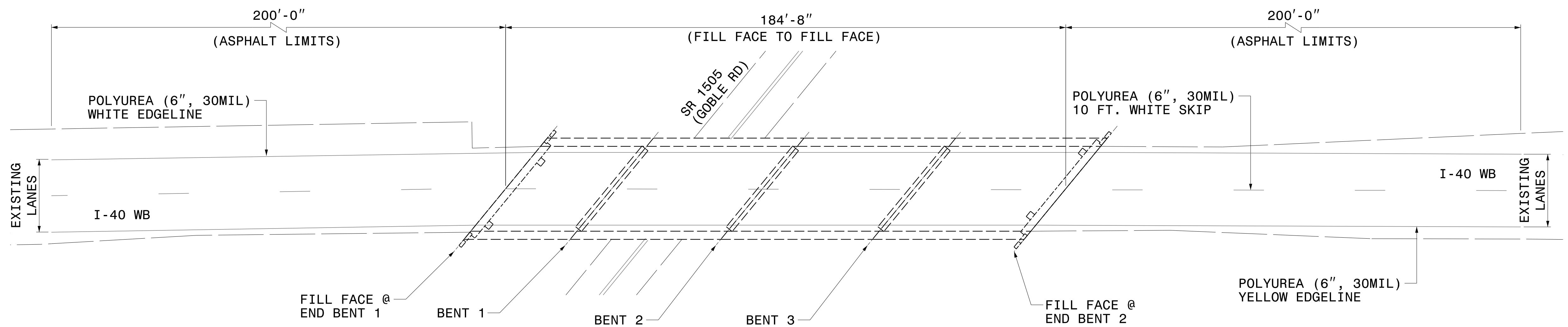
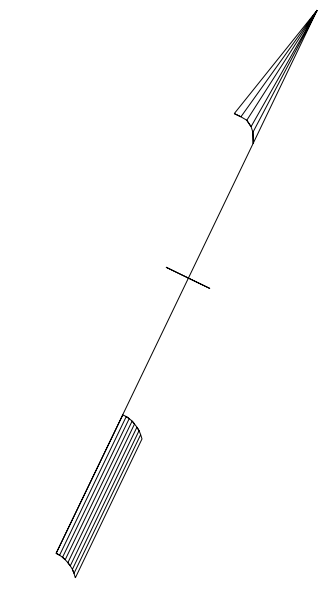


STRUCTURE 480066 PAVEMENT MARKING SCHEDULE

SYMBOL	DESCRIPTION	QUANTITY
POLYUREA		
W20	WHITE EDGELINE (6", 30 MIL)	585 LF
W22	WHITE 10 FT. WHITE SKIP (6", 30 MIL)	147 LF
W23	WHITE 3 FT.-9 FT./SP WHITE MINISKIP (6", 30 MIL)	- LF
W30	YELLOW EDGELINE (6", 30 MIL)	585 LF

TIP NO. I - 5915B	SHEET NO. PMP - 11
APPROVED: _____	
DATE: _____	
SEAL	
DOCUMENT NOT CONSIDERED FINAL UNLESS ALL SIGNATURES COMPLETED	



4/21/2022
15915B_Sgn_PMP_480066.dgn
User: jdebone



PAVEMENT MARKING DETAIL