

**This electronic collection of documents is provided
for the convenience of the user
and is Not a Certified Document –**

**The documents contained herein were originally issued
and sealed by the individuals whose names and license
numbers appear on each page, on the dates appearing
with their signature on that page.**

**This file or an individual page
shall not be considered a certified document.**

CROSS SECTION INDEX

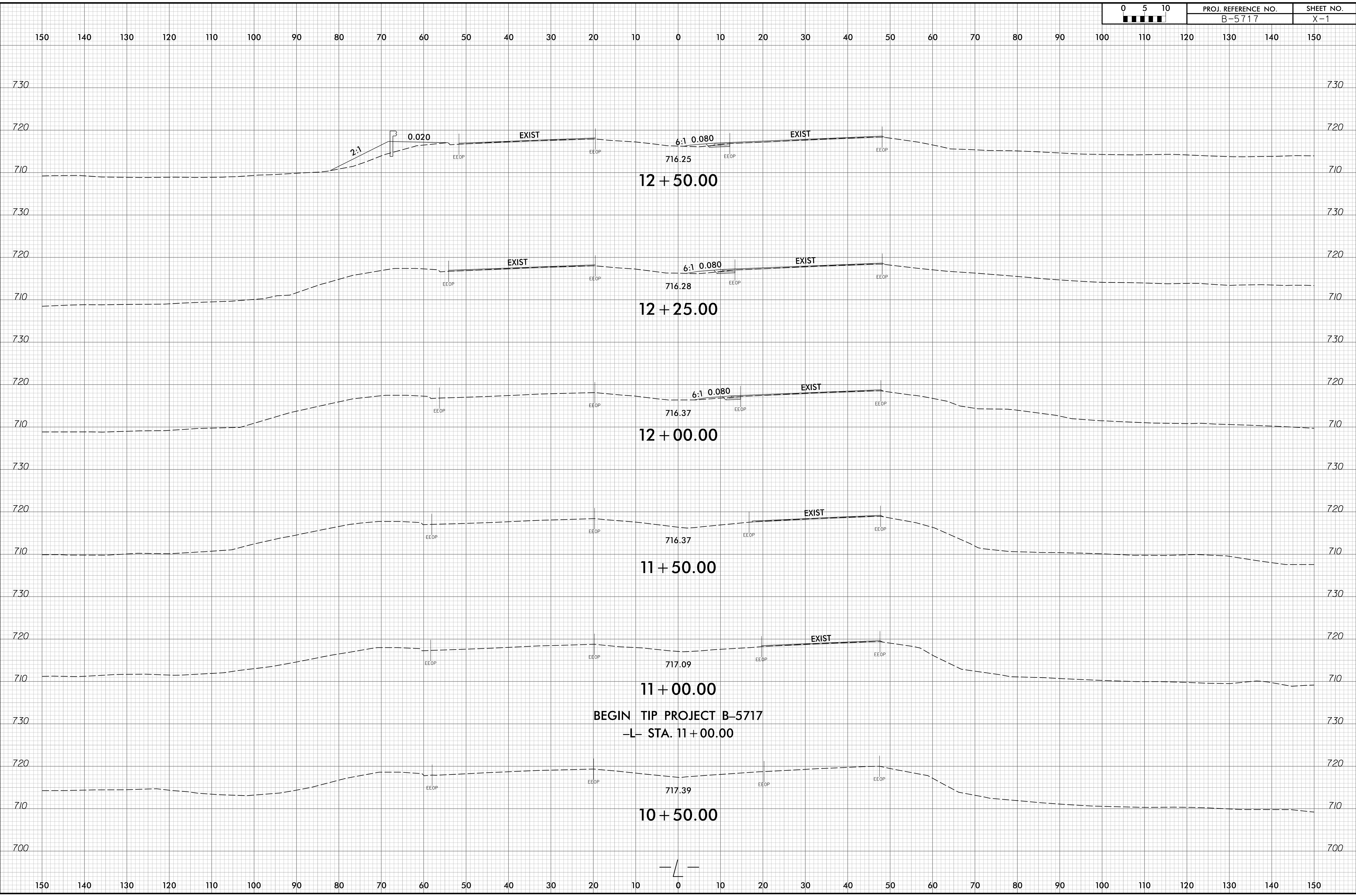
X-1 THRU X-8
X-9 THRU X-10

-L- STA. 10+50.00 THRU 28+50.00
-Y1- STA. 10+44.00 THRU 13+50.00

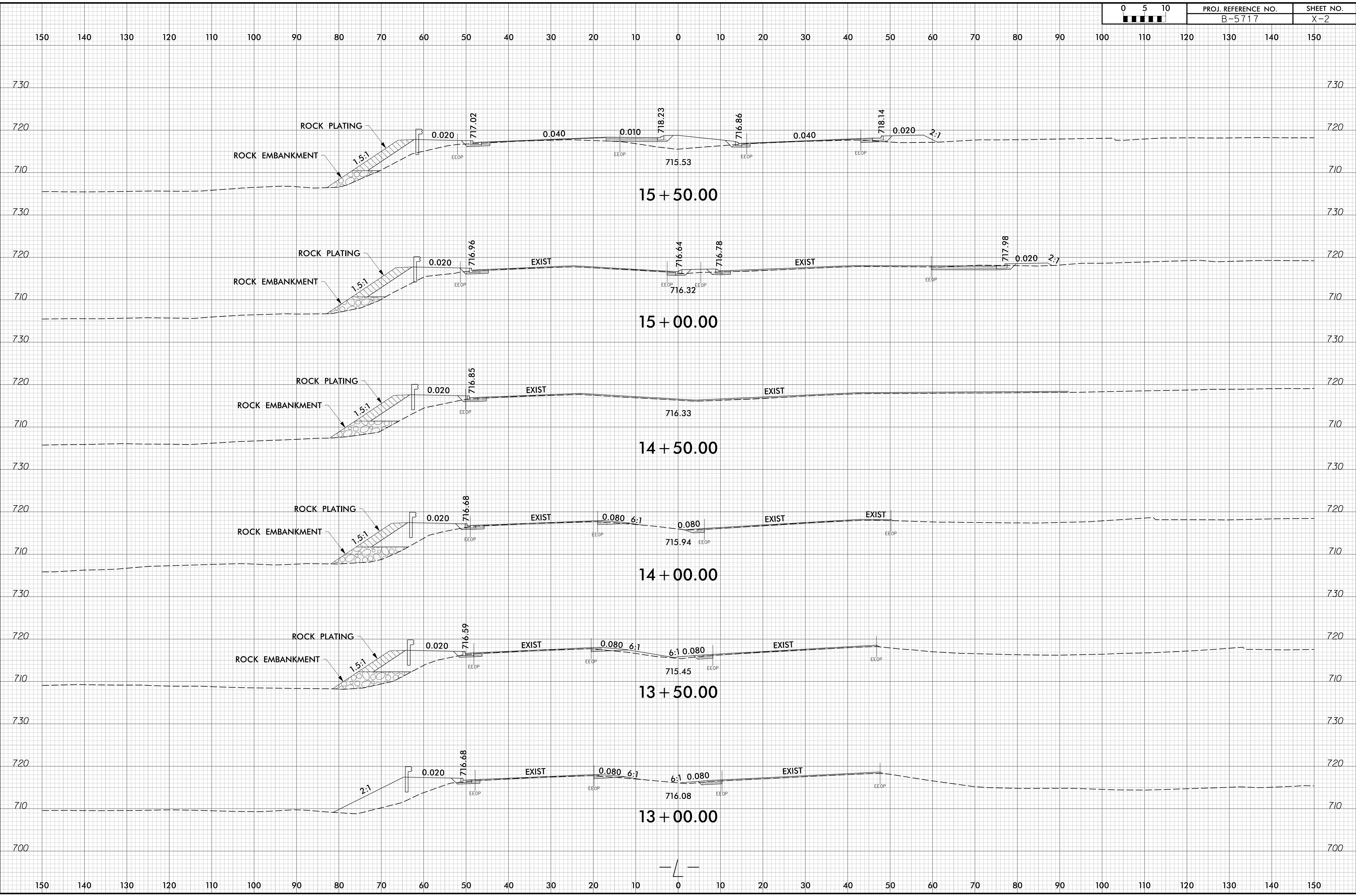
5/14/99
\\60592827-2\cfs\j\B-5717\900-CAD GIS\910-CAD\70-NCDDT-TIP\Roadway\CorridorModeling\B5717_Rdy_xpl.L.dgn
Tim Klotz

6/23/16
2/8/2022
P:\a\p\com-na-pw-ben-t\j\com\AECOM_DS21_NA_2020\Documents\60592827-NCDDT_SMU_B-5717\900-CAD_GIS\910-CAD\70-NCDDT_TIP\Roadway\CorridorModeling\B5717_Rdy_xpl_L.dgn

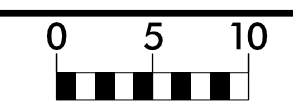
0 5 10	PROJ. REFERENCE NO.	SHEET NO.
	B-5717	X-1



6/23/16
2/8/2022
P:\a\p\com-na-pw-ben-tj\p\com-a\ECOM_DS21_NA_2020\Documents\60592827-NCDDT_SMU_B-5717\900-CAD_GIS\910-CAD\70-NCDDT_TIP_Roadway\CorridorModeling\B5717_Rdy_xpl_L.dgn
THK\JDSZ

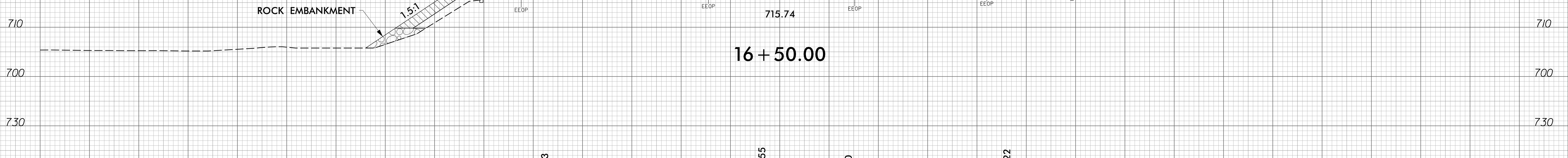
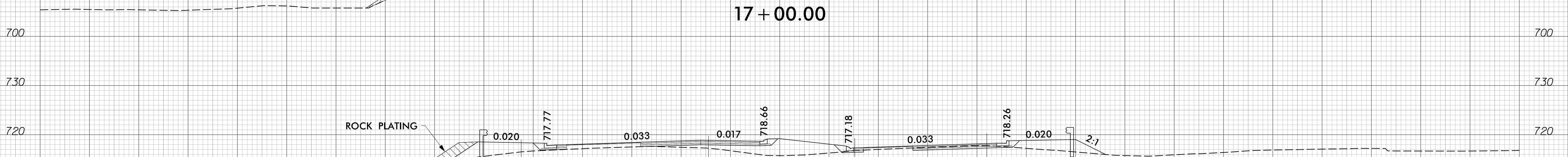
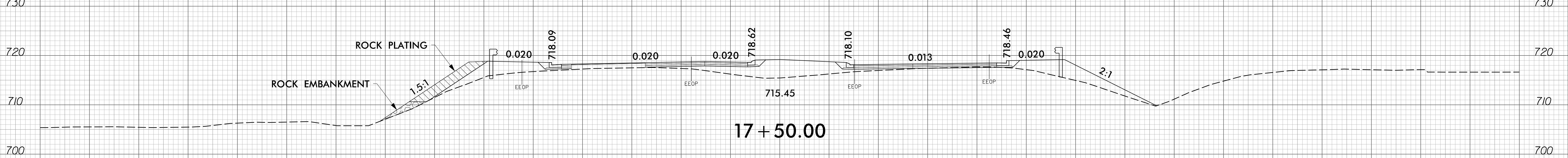
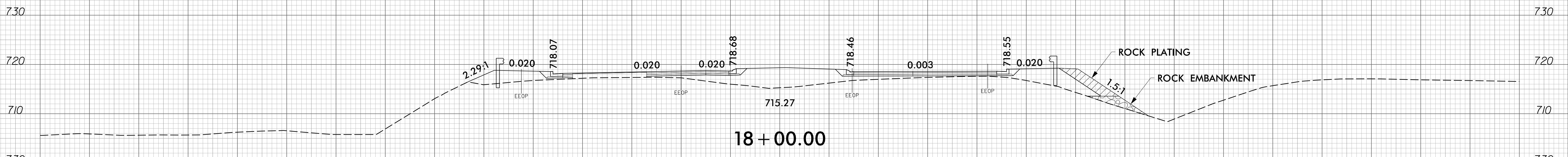


6/23/16



PROJ. REFERENCE NO.	SHEET NO.
B-5717	X-3

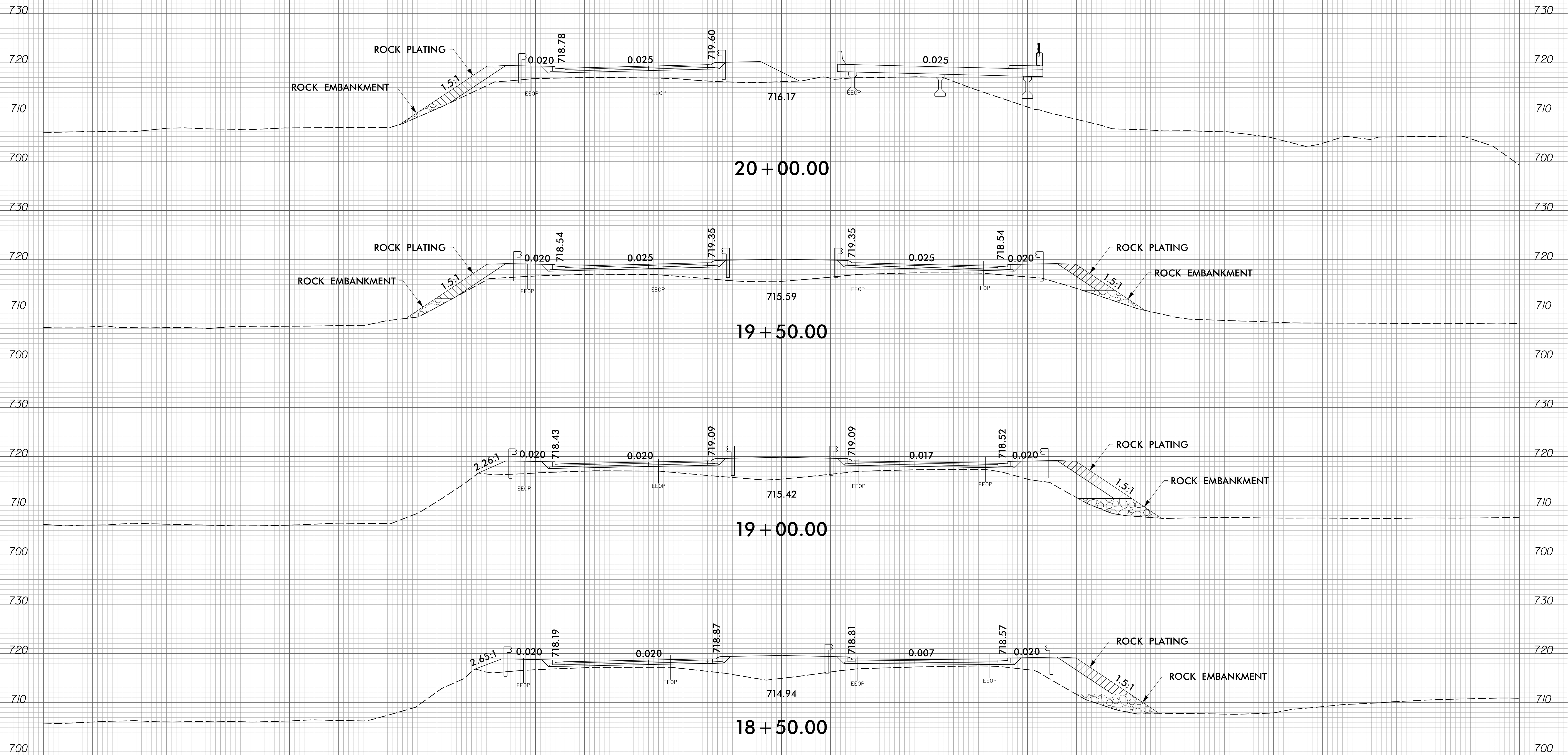
150 140 130 120 110 100 90 80 70 60 50 40 30 20 10 0 10 20 30 40 50 60 70 80 90 100 110 120 130 140 150



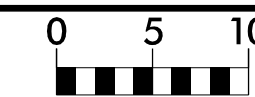
150 140 130 120 110 100 90 80 70 60 50 40 30 20 10 0 10 20 30 40 50 60 70 80 90 100 110 120 130 140 150

2/8/2022
P:\a\p\com-na-pw-ben-t\j\com-a\ECOM_DS21_NA_2020\Documents\60592827-NCDDT_SMU_B-5717\900-CAD_GIS\910-CAD_70-NCDDT_TIP\Roadway\CorridorModeling\B5717_Rdy_xpl_L.dgn

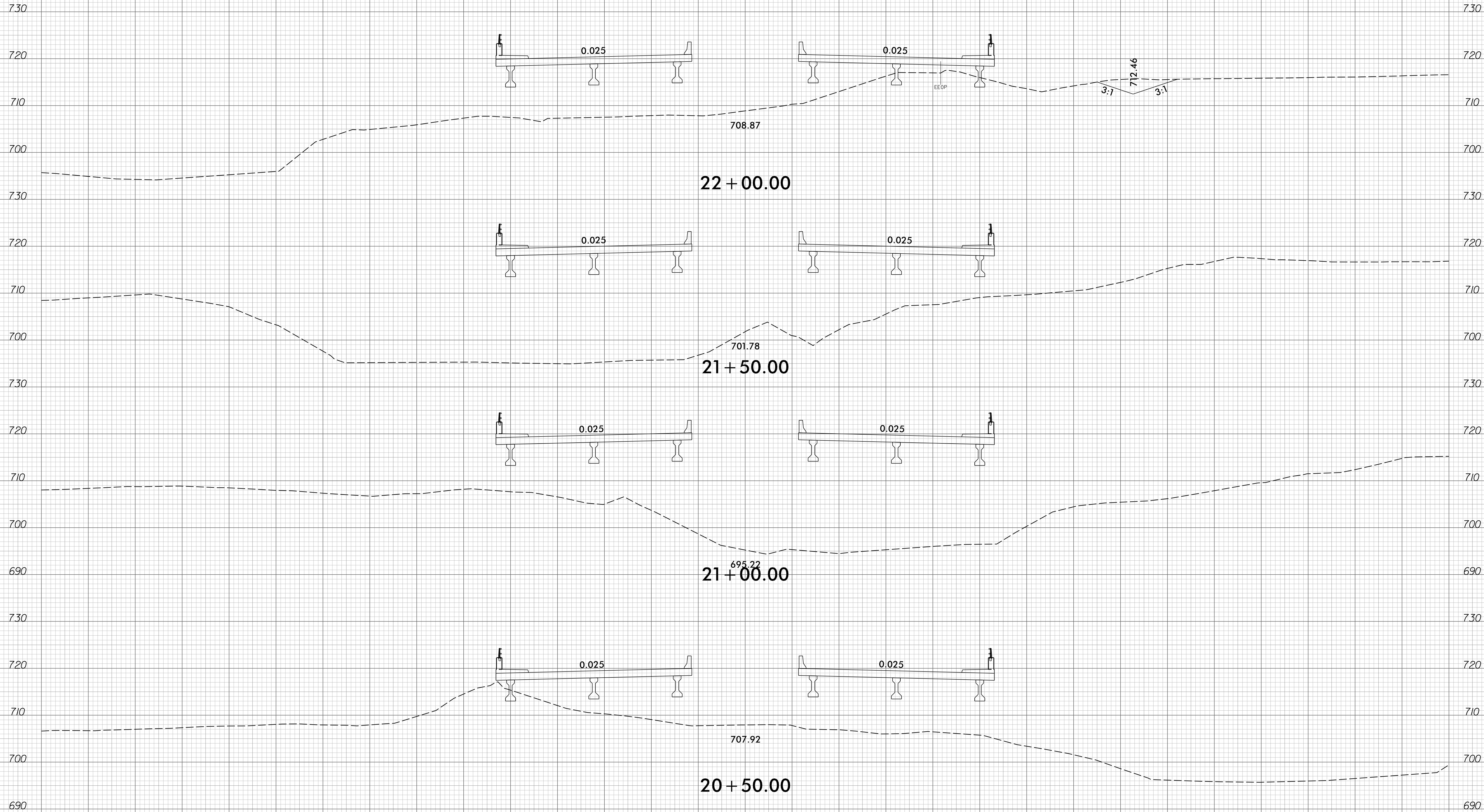
150 140 130 120 110 100 90 80 70 60 50 40 30 20 10 0 10 20 30 40 50 60 70 80 90 100 110 120 130 140 150



150 140 130 120 110 100 90 80 70 60 50 40 30 20 10 0 10 20 30 40 50 60 70 80 90 100 110 120 130 140 150



150 140 130 120 110 100 90 80 70 60 50 40 30 20 10 0 10 20 30 40 50 60 70 80 90 100 110 120 130 140 150

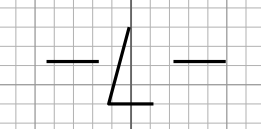


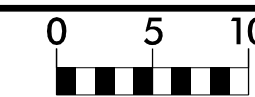
22 + 00.00

21 + 50.00

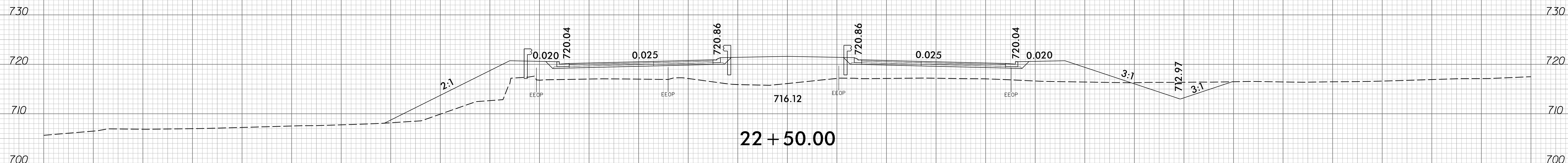
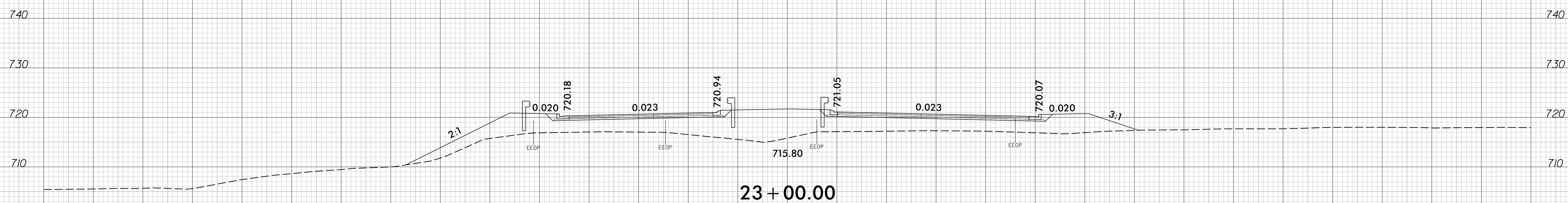
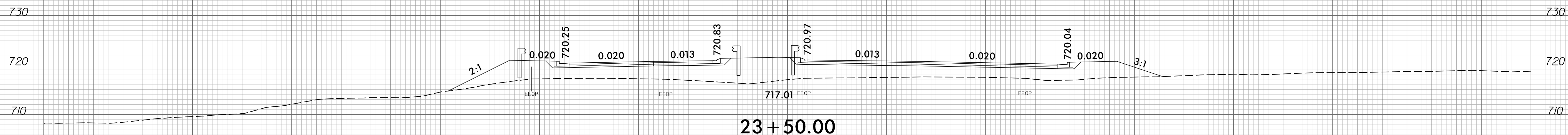
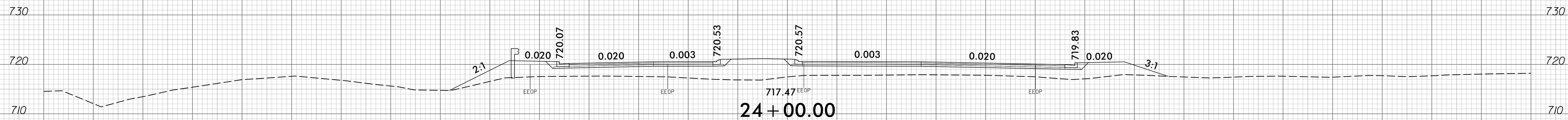
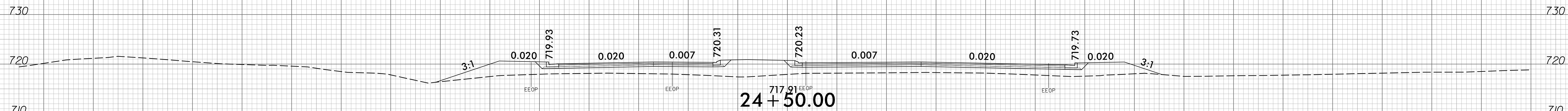
21 + 00.00

20 + 50.00

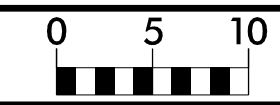




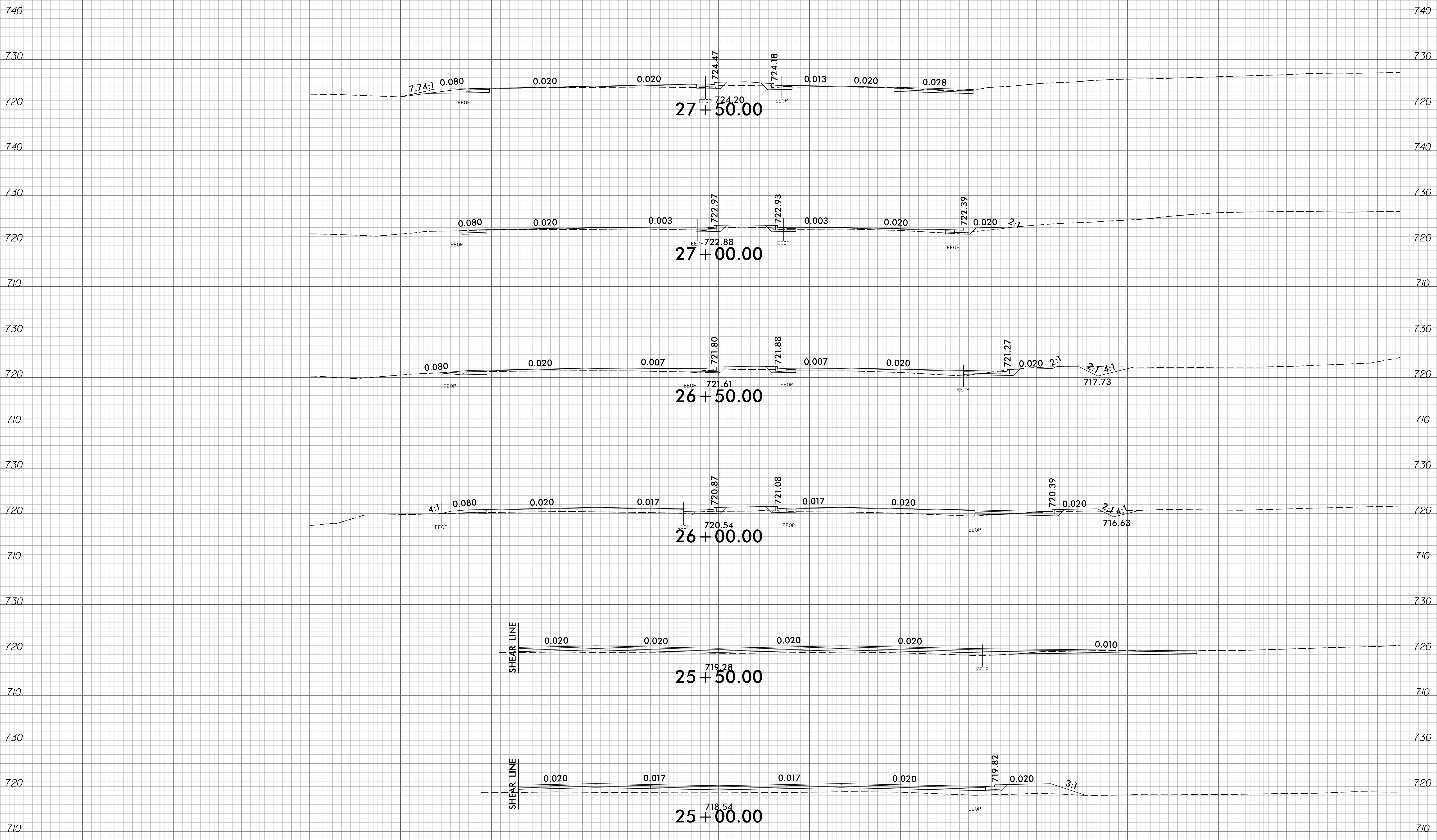
150 140 130 120 110 100 90 80 70 60 50 40 30 20 10 0 10 20 30 40 50 60 70 80 90 100 110 120 130 140 150



150 140 130 120 110 100 90 80 70 60 50 40 30 20 10 0 10 20 30 40 50 60 70 80 90 100 110 120 130 140 150

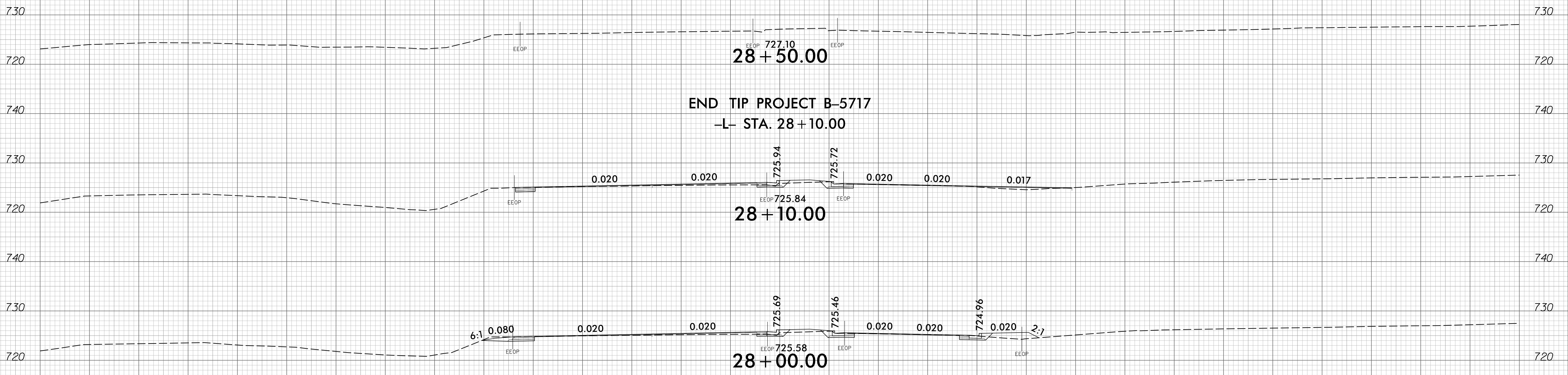


150 140 130 120 110 100 90 80 70 60 50 40 30 20 10 0 10 20 30 40 50 60 70 80 90 100 110 120 130 140 150



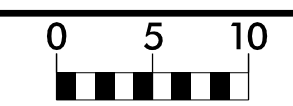
150 140 130 120 110 100 90 80 70 60 50 40 30 20 10 0 10 20 30 40 50 60 70 80 90 100 110 120 130 140 150

150 140 130 120 110 100 90 80 70 60 50 40 30 20 10 0 10 20 30 40 50 60 70 80 90 100 110 120 130 140 150



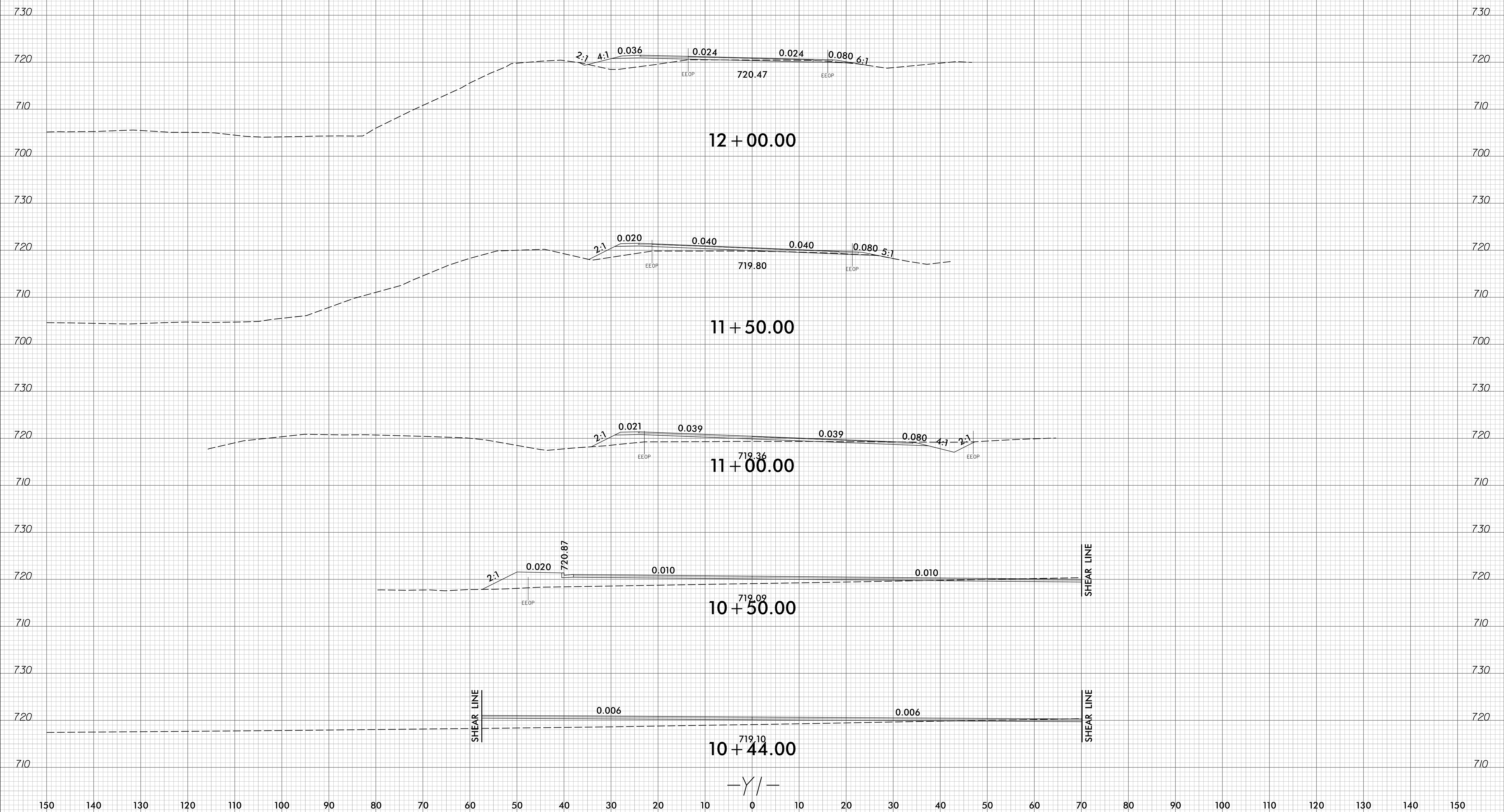
150 140 130 120 110 100 90 80 70 60 50 40 30 20 10 0 10 20 30 40 50 60 70 80 90 100 110 120 130 140 150

6/23/16



PROJ. REFERENCE NO.	SHEET NO.
B-5717	X-9

150 140 130 120 110 100 90 80 70 60 50 40 30 20 10 0 10 20 30 40 50 60 70 80 90 100 110 120 130 140 150



2/8/2022
 P:\a\p\com-na-pw-ben-tj\j.com\AECOM_DS21_NA_2020\Documents\60592827-NCDDT_SMU_B-5717\900-CAD_GIS\910-CAD_70-NCDDT_TIP\Roadway\CorridorModeling\B5717_Rdy_xpl_Y1.dgn
 T:\A\1022

150 140 130 120 110 100 90 80 70 60 50 40 30 20 10 0 10 20 30 40 50 60 70 80 90 100 110 120 130 140 150

