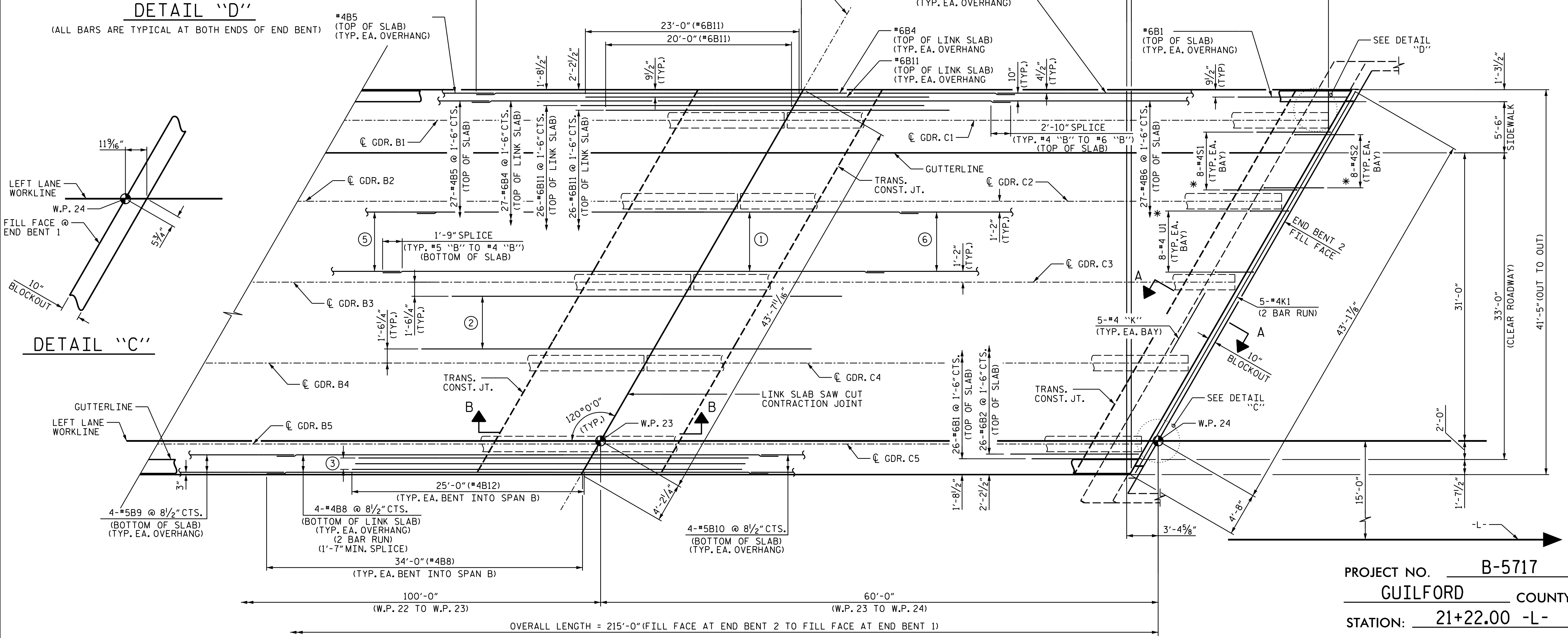
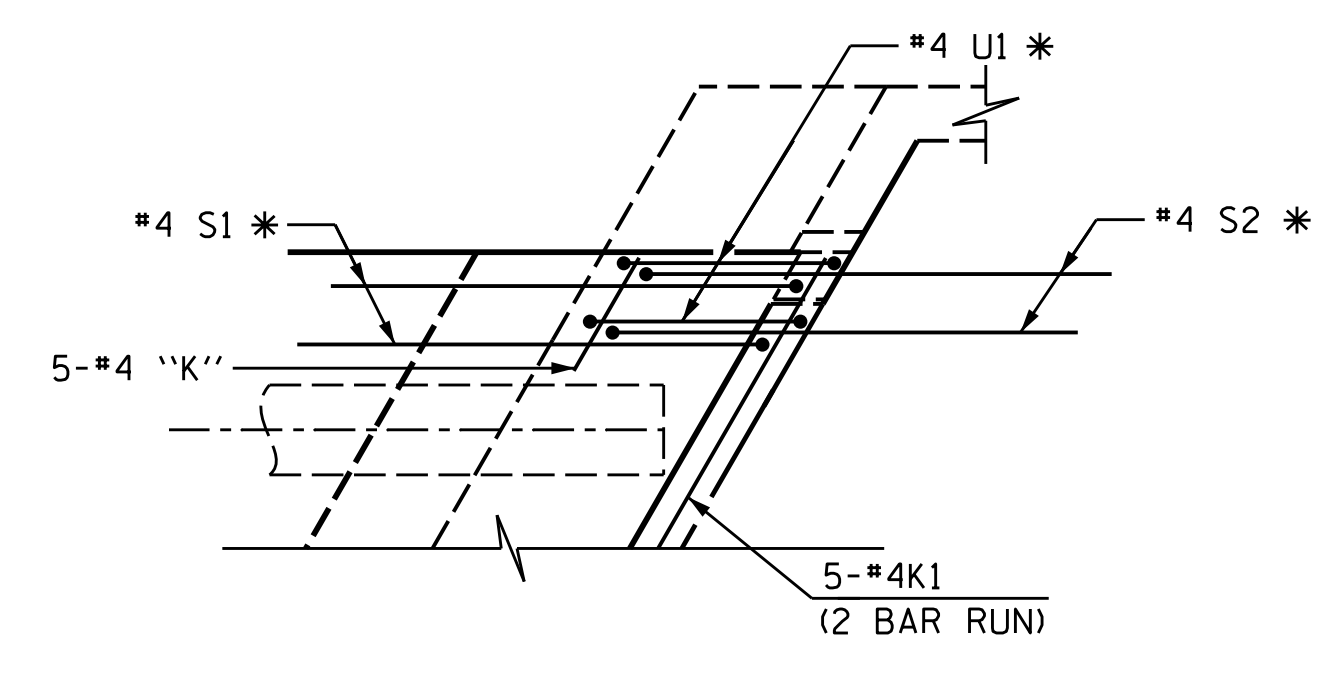


DATE: 3/31/2022
 TIME: 3:46:08 PM
 USER: gregory.r.colts
 DGN: pva\aecocom-nr-pm\benj@aecocom\LS21_MAL_2020\Documents\60592827-NCDDT_SMU_B-5717\900-CAD_615910_CAD\TO_NCDDT_TIP\Structures\04_Drawings\402_015_B-5717_SMU_S2_SE-08_00012.dgn



PROJECT NO. **B-5717**
 GUILFORD COUNTY
 STATION: **21+22.00 -L-**

SHEET 2 OF 2

SPAN B

SPAN C

PARTIAL PLAN OF SPAN

FOR NOTES, SEE SHEET 1 OF 2.

*: #4 S1, #4 S2 & #4 U1 TO MATCH WITH #4 "V" BARS IN INTEGRAL END BENT CAP

- ① 10-#4B8 @ 8 1/2" CTS. (BOTTOM OF SLAB) (TYP. EACH BAY) (2 BAR RUN) (1'-7" MIN. SPLICE)
- ② 9-#4B12 8 1/2" CTS. (BOTTOM OF LINK SLAB) (TYP. EACH BAY) (2 BAR RUN) (1'-7" MIN. SPLICE)
- ③ 3-#4B12 8 1/2" CTS. (BOTTOM OF LINK SLAB) (TYP. EACH OVERHANG) (2 BAR RUN) (1'-7" MIN. SPLICE)
- ④ 10-#5B9 @ 8 1/2" CTS. (BOTTOM OF SLAB) (TYP. EACH BAY)
- ⑤ 10-#5B10 @ 8 1/2" CTS. (BOTTOM OF SLAB) (TYP. EACH BAY)

DOCUMENT NOT CONSIDERED FINAL UNLESS ALL SIGNATURES COMPLETED

STATE OF NORTH CAROLINA					
DEPARTMENT OF TRANSPORTATION					
RALEIGH					
SUPERSTRUCTURE					
PLANS OF SPANS					
(LEFT LANE)					
REVISIONS					
NO.	BY:	DATE:	NO.	BY:	DATE:
1			3		
2			4		
SHEET NO.					S2-08
TOTAL SHEETS					38

DRAWN BY: M.L. CATER DATE: 10/2021
 CHECKED BY: G.R. COLTS DATE: 10/2021
 DESIGNED BY: D.R. DRUM DATE: 06/2021
 DESIGN CHECKED BY: S. NATARAJAN DATE: 06/2021