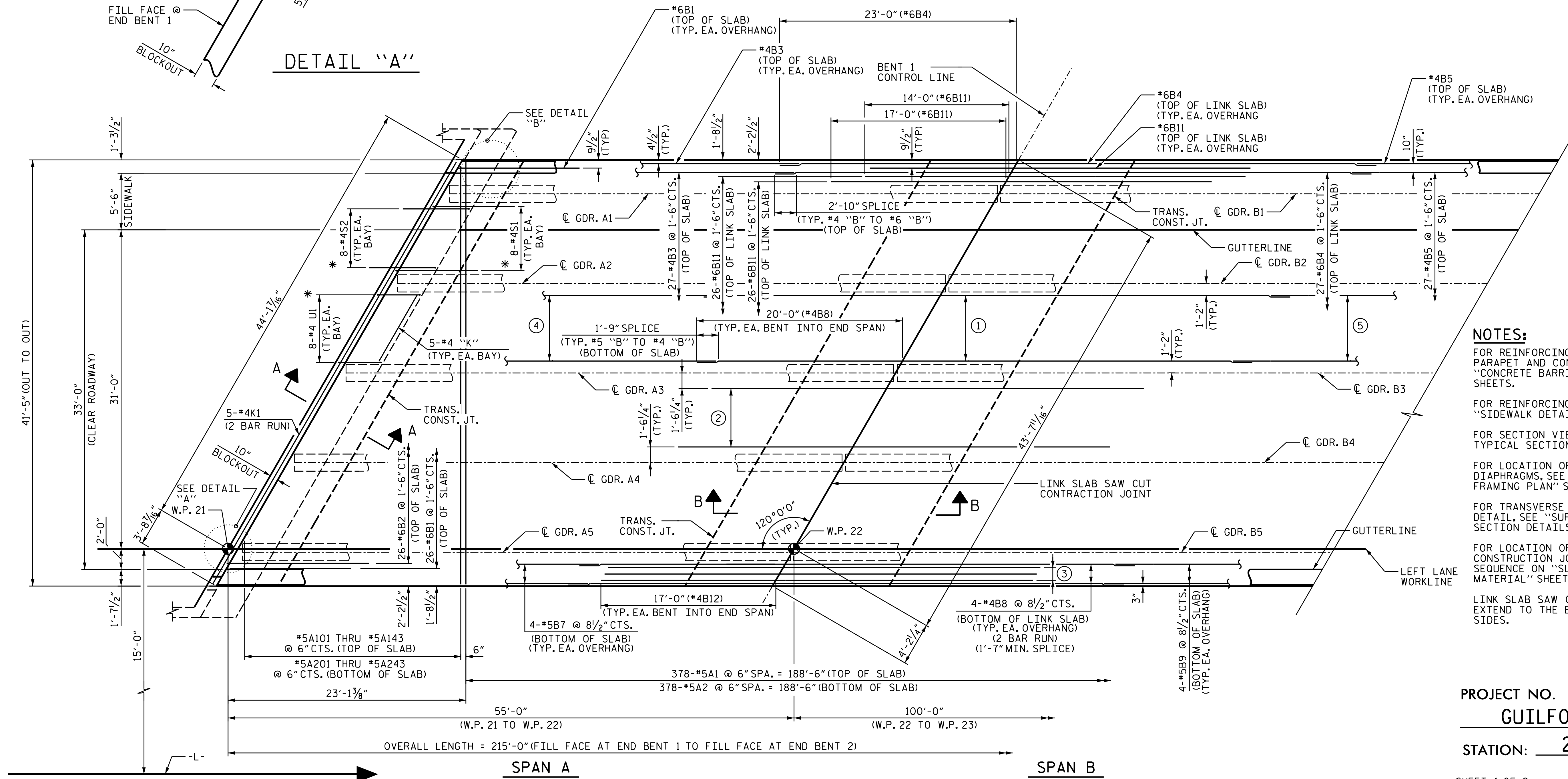
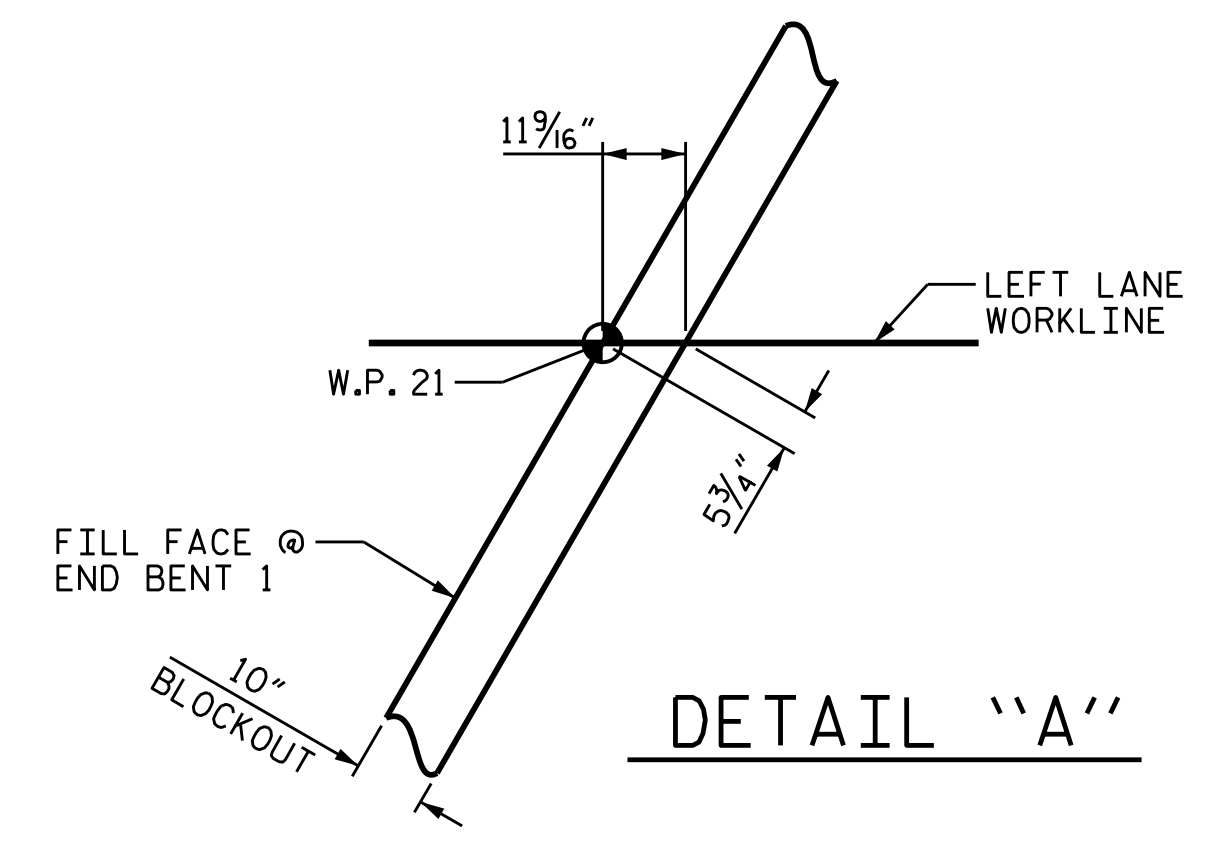


DATE: 3/31/2022 TIME: 3:55:58 PM  
USER: gant@acem.com DN: cn=paw@acem.com, ou=acem, o=acem, email=gant@acem.com  
G:\S\910-CAD\615\910-CAD\TO\NCDDT\IP\Structures\04 Drawings\402\_013\_B-517T\_SMU\_S1\_S2-07\_40010.dgn



**NOTES:**

FOR REINFORCING STEEL IN CONCRETE PARAPET AND CONCRETE BARRIER RAIL, SEE "CONCRETE BARRIER RAIL AND PARAPET" SHEETS.

FOR REINFORCING STEEL IN SIDEWALK, SEE "SIDEWALK DETAILS" SHEET.

FOR SECTION VIEWS, SEE "SUPERSTRUCTURE TYPICAL SECTION DETAILS" SHEET.

FOR LOCATION OF INTERMEDIATE STEEL DIAPHRAGMS, SEE "SUPERSTRUCTURE FRAMING PLAN" SHEET.

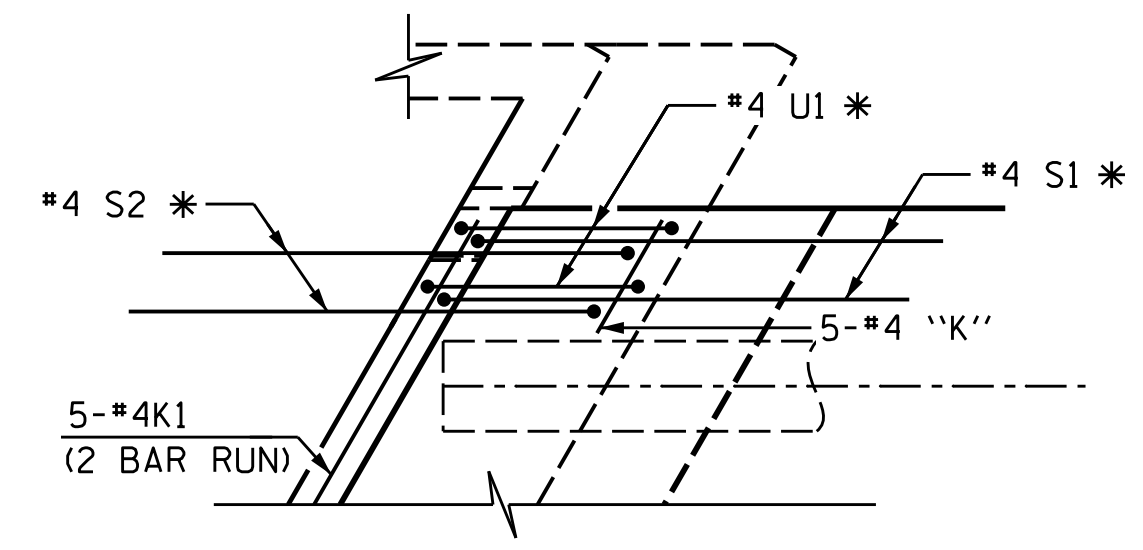
FOR TRANSVERSE CONSTRUCTION JOINT DETAIL, SEE "SUPERSTRUCTURE TYPICAL SECTION DETAILS, SHEET 2 OF 2".

FOR LOCATION OF TRANSVERSE CONSTRUCTION JOINTS, SEE POURING SEQUENCE ON "SUPERSTRUCTURE BILL OF MATERIAL" SHEET.

LINK SLAB SAW CUT CONTRACTION JOINTS EXTEND TO THE EDGE OF DECK ON BOTH SIDES.

PROJECT NO. B-5717  
GUILFORD COUNTY  
 STATION: 21+22.00 -L-

SHEET 1 OF 2



**DETAIL "B"**  
 (ALL BARS ARE TYPICAL AT BOTH ENDS OF END BENT)

**PARTIAL PLAN OF SPAN**

\*: #4 S1, #4 S2 & #4U1 TO MATCH WITH #4 "V" BARS IN INTEGRAL END BENT CAP

- ① 10-#4B8 @ 8 1/2" CTS. (BOTTOM OF LINK SLAB) (TYP. EACH BAY) (2 BAR RUN) (1'-7" MIN. SPLICE)
- ② 9-#4B12 @ 8 1/2" CTS. (BOTTOM OF LINK SLAB) (TYP. EACH BAY) (2 BAR RUN) (1'-7" MIN. SPLICE)
- ③ 3-#4B12 @ 8 1/2" CTS. (BOTTOM OF LINK SLAB) (TYP. EACH OVERHANG) (2 BAR RUN) (1'-7" MIN. SPLICE)
- ④ 10-#5B7 @ 8 1/2" CTS. (BOTTOM OF SLAB) (TYP. EACH BAY)
- ⑤ 10-#5B9 @ 8 1/2" CTS. (BOTTOM OF SLAB) (TYP. EACH BAY)

DOCUMENT NOT CONSIDERED FINAL UNLESS ALL SIGNATURES COMPLETED

**AECOM**  
AECOM TECHNICAL SERVICES OF NC, INC.  
 5438 WADE PARK BOULEVARD, SUITE 200  
 RALEIGH, NC 27607  
 (919) 854-6200 www.aecom.com  
 AECOM License No. F-0542

Drawn by: [Signature]  
 Checked by: [Signature]  
 4/8/2022

**PROFESSIONAL ENGINEER**  
 SEAL 04343  
**GREGORY R. COUS**

STATE OF NORTH CAROLINA DEPARTMENT OF TRANSPORTATION RALEIGH					
SUPERSTRUCTURE PLANS OF SPANS (LEFT LANE)					
REVISIONS					
NO.	BY:	DATE:	NO.	BY:	DATE:
1			3		
2			4		
SHEET NO. S2-07					TOTAL SHEETS 38

DRAWN BY : M.L. CATER DATE : 10/2021  
 CHECKED BY : G.R. COLS DATE : 10/2021  
 DESIGNED BY : D.R. DRUM DATE : 06/2021  
 DESIGN CHECKED BY : S. NATARAJAN DATE : 06/2021