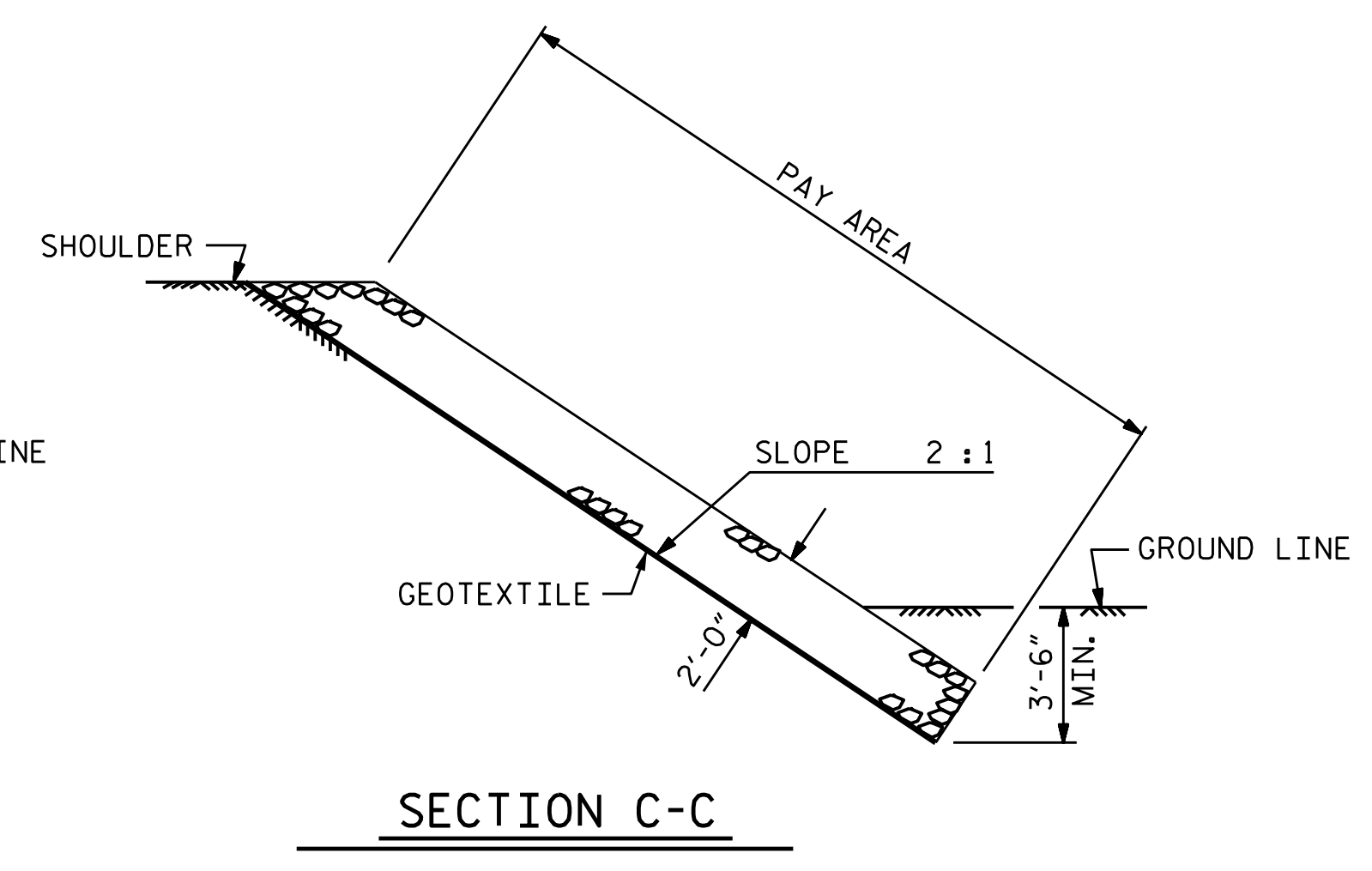
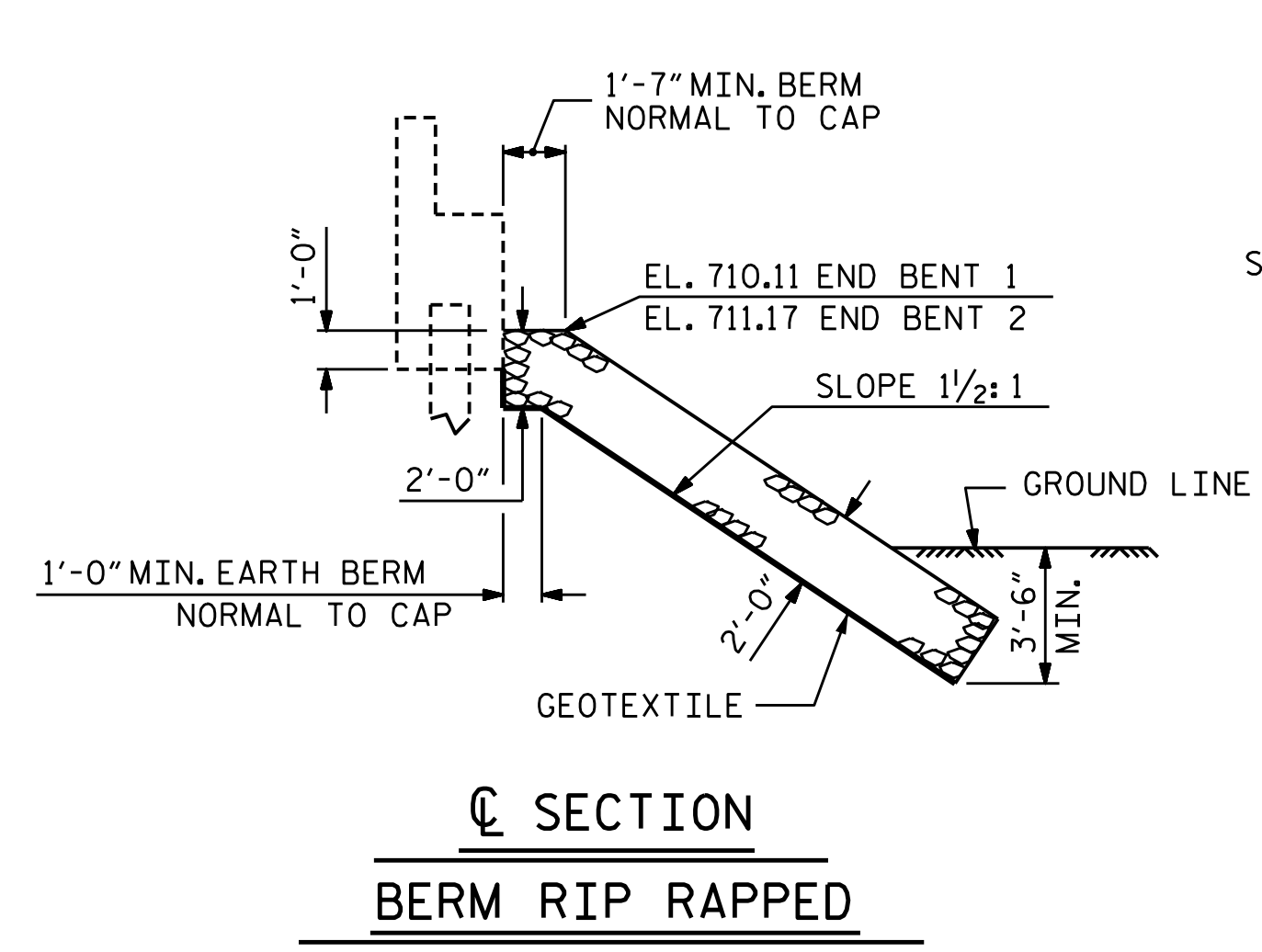
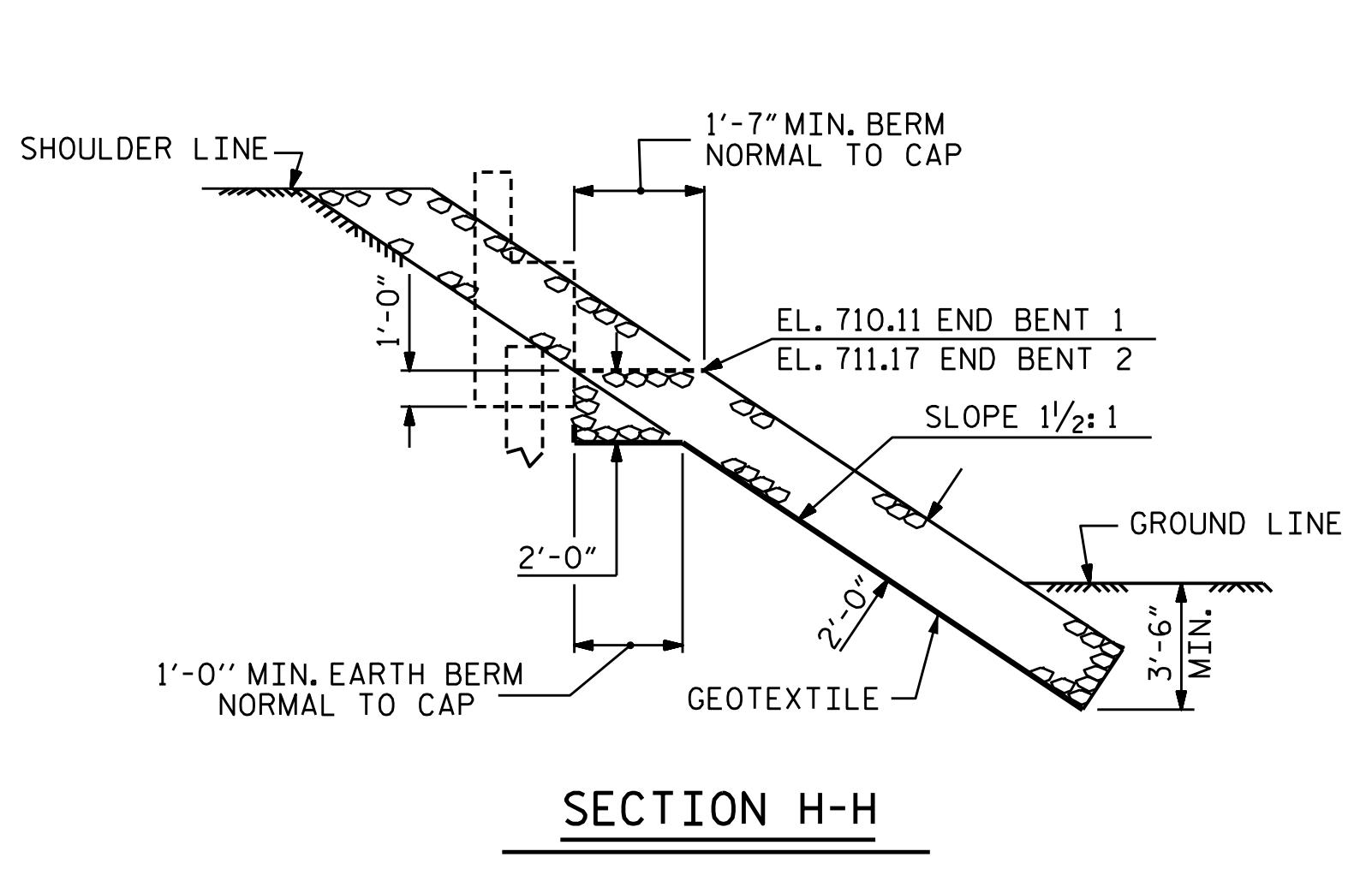
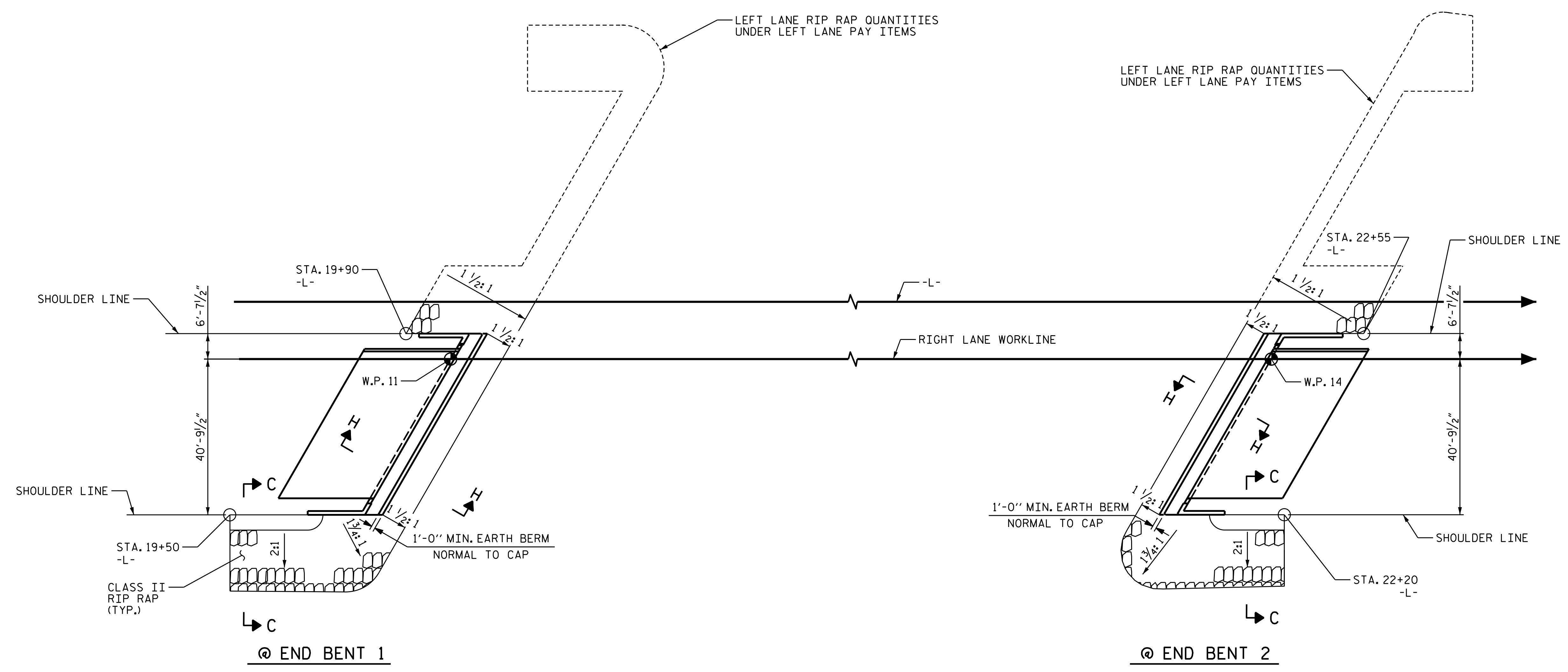


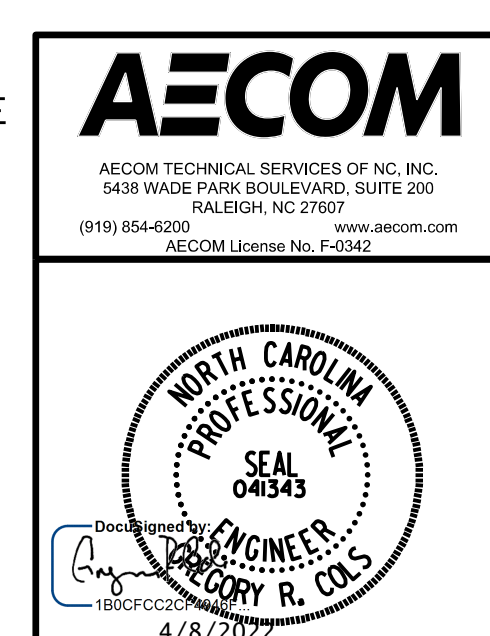
DATE: 3/11/2022  
TIME: 3:44:28 PM

USER: gregoryr@aecom.com  
DGN: pva@aec.com - not pva@aec.com  
PROJECT: B-5717 RR-S1-36-40009.dgn  
DRAWING: Drawings\04\_Structures\04\_Drawings\04\_DOT\_LB-5717\_SML\_RR-S1-36-40009.dgn

ESTIMATED QUANTITIES		
BRIDGE @ STA. 21+22.00 -L- RIGHT LANE	RIP RAP CLASS II (2'-0" THICK)	GEOTEXTILE FOR DRAINAGE
	TONS	SQUARE YARDS
END BENT 1	233	259
END BENT 2	202	225



PROJECT NO. B-5717  
GUILFORD COUNTY  
STATION: 21+22.00 -L-



STATE OF NORTH CAROLINA  
DEPARTMENT OF TRANSPORTATION  
RALEIGH  
STANDARD  
RIP RAP DETAILS  
(RIGHT LANE)

REVISIONS						SHEET NO.
NO.	BY:	DATE:	NO.	BY:	DATE:	TOTAL SHEETS
1			3			38
2			4			

ASSEMBLED BY : B.D. HODACK	DATE : 06/2021
CHECKED BY : G.R. COLS	DATE : 10/2021
DRAWN BY : REK 1/84	REV. 10/1/11 MAA/GM
CHECKED BY : RDU 1/84	REV. 12/21/11 MAA/GM
	REV. 12/17 MAA/THC

DOCUMENT NOT CONSIDERED  
FINAL UNLESS ALL  
SIGNATURES COMPLETED