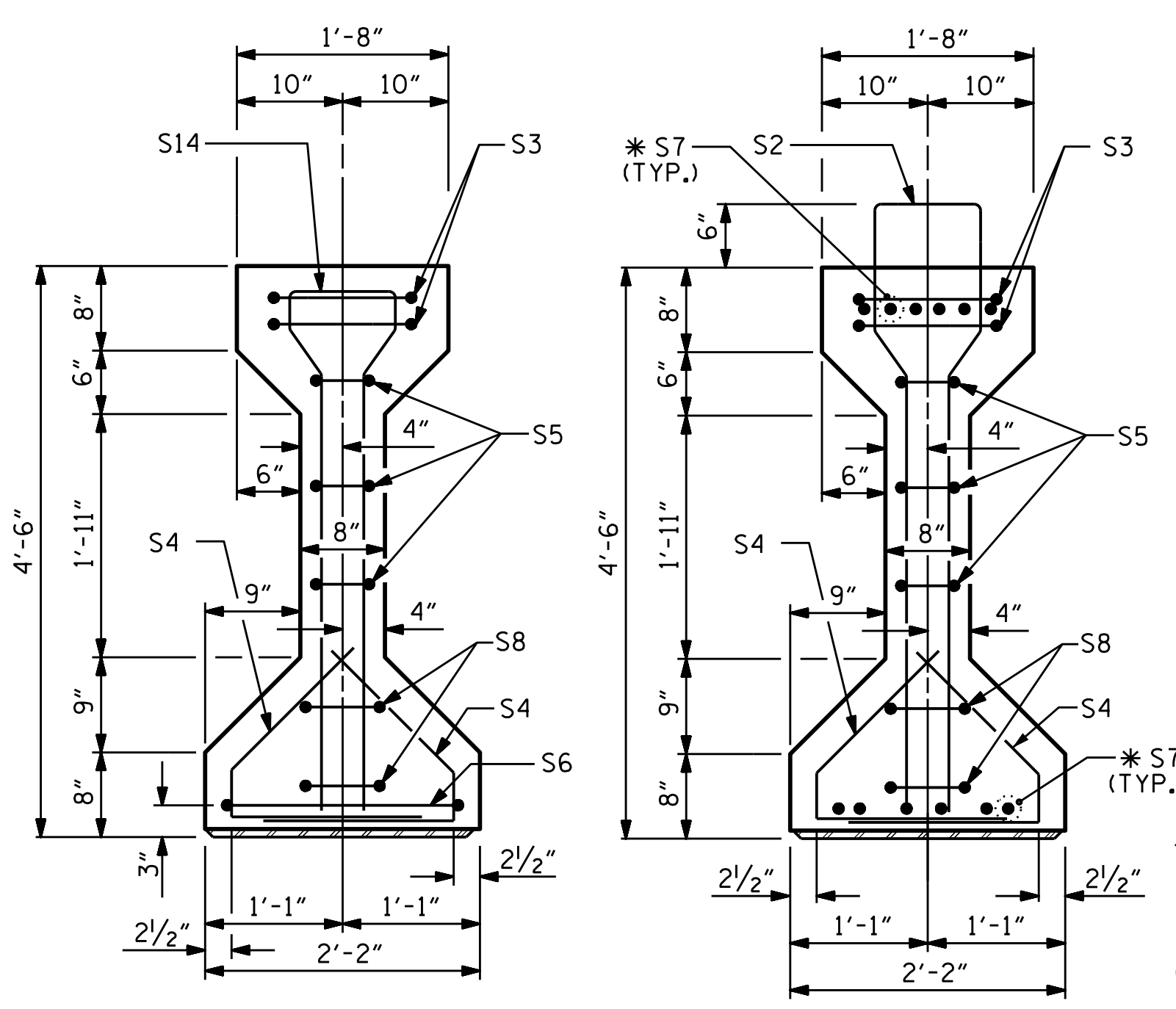


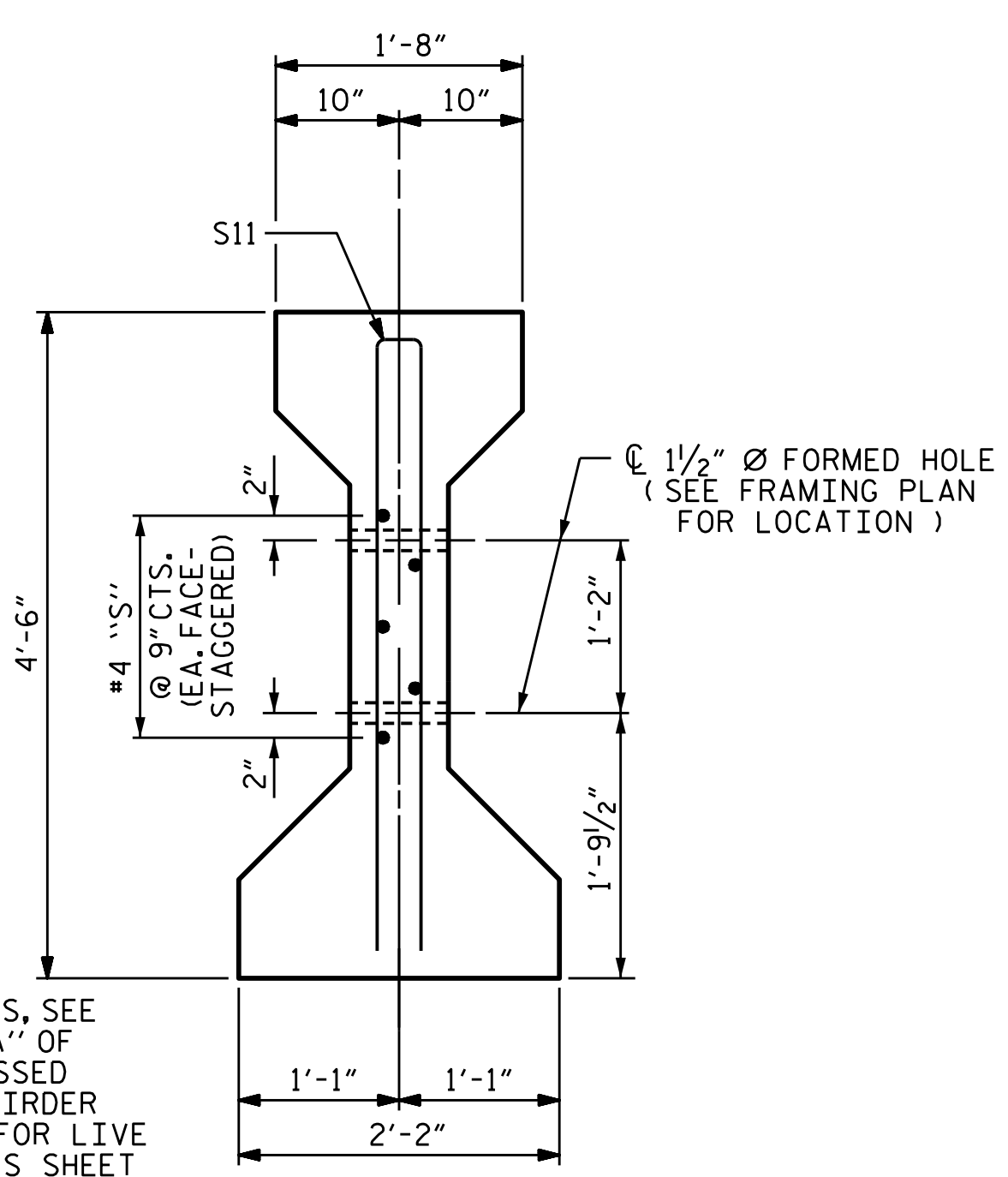
DATE: 3/31/2022  
TIME: 3:07 PM

USER: pva@acem.com  
DRAWING: B-5717-000-040  
PROJECT: B-5717-000-040  
SHEET: S1-13

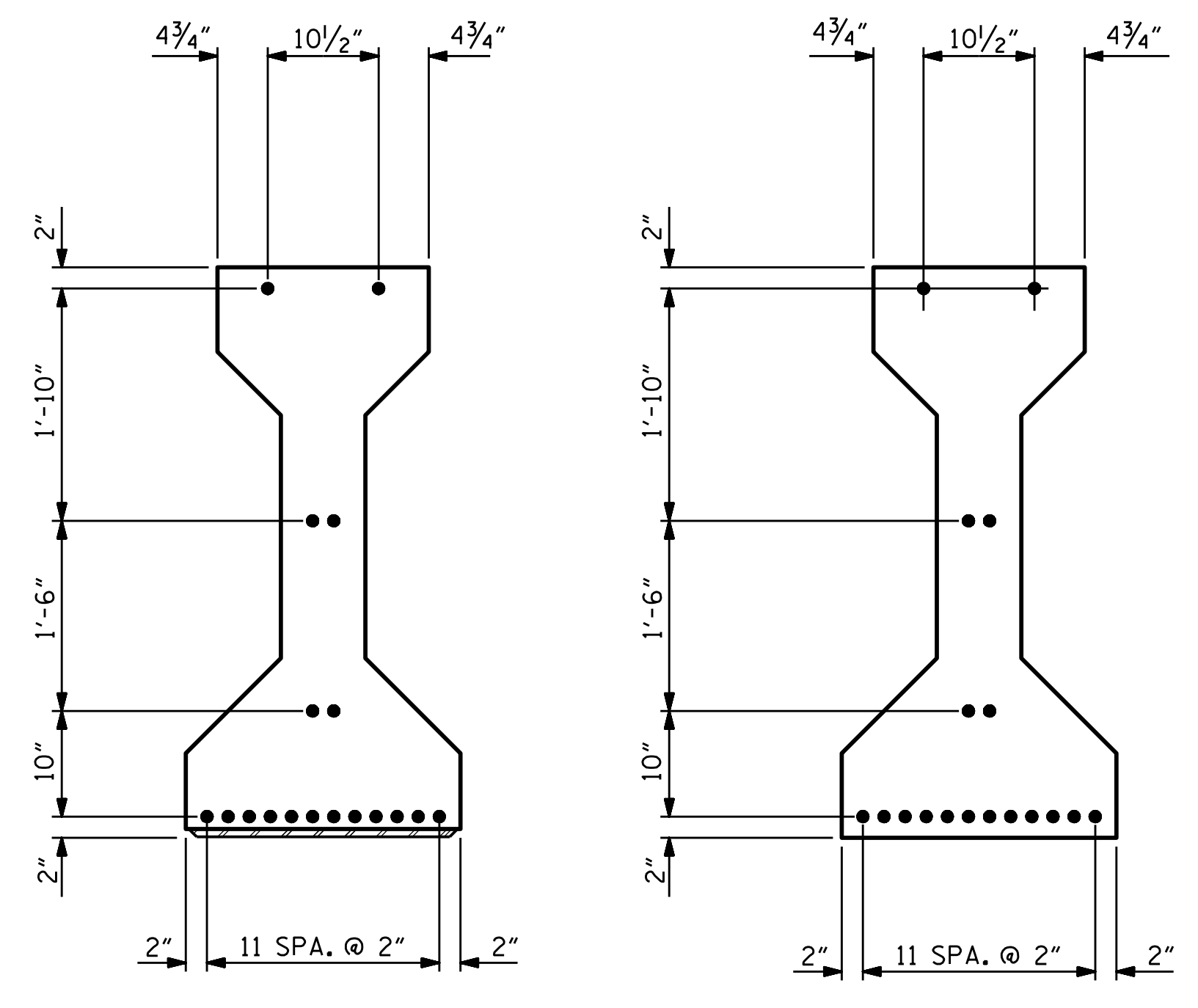


SECTION A-A

SECTION B-B



SECTION C-C  
(S1 BARS NOT SHOWN)



AT END OF GIRDER

AT C OF GIRDER

0.6" Ø LOW RELAXATION STRAND LAYOUT

EXTERIOR GDR.	S11	2	#5	2	8'-8"	18
INTERIOR GDR.	S11	4	#5	2	8'-8"	36
EXTERIOR GDR.	S12	5	#4	STR	7'-0"	23
INTERIOR GDR.	S13	5	#4	STR	12'-1"	40
	S14	10	#6	1	9'-4"	140

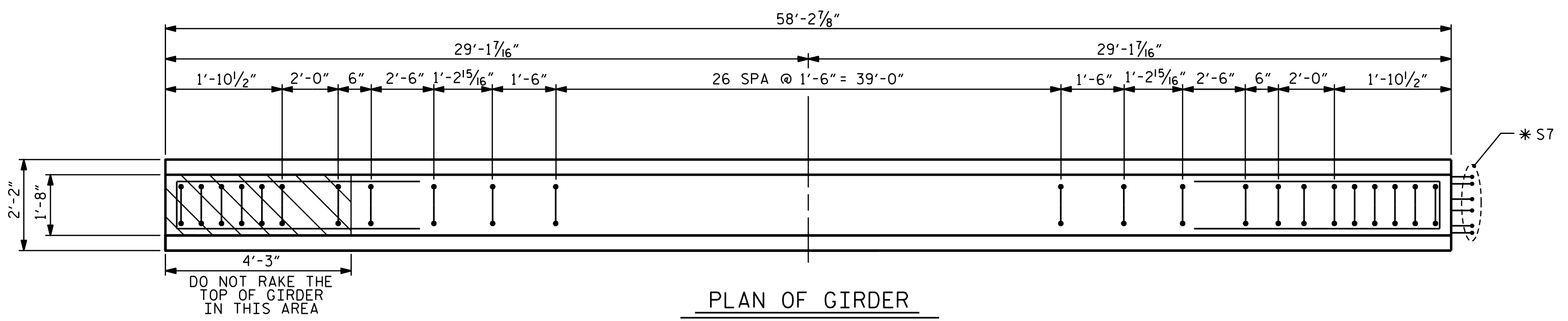
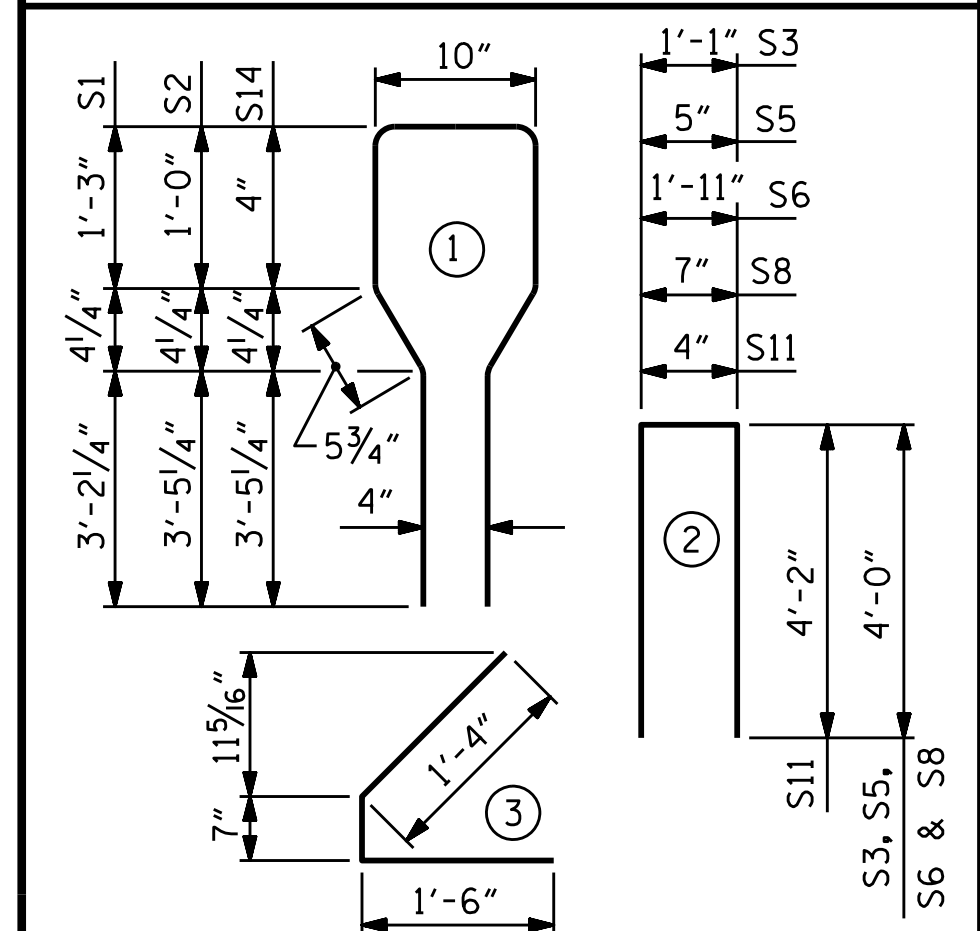
0.6" Ø L. R. GRADE 270 STRANDS		
AREA (SQUARE INCHES)	ULTIMATE STRENGTH (LBS. PER STRAND)	APPLIED PRESTRESS (LBS. PER STRAND)
0.217	58,600	43,950

REINFORCING STEEL FOR ONE GIRDER						
BAR	NUMBER	SIZE	TYPE	LENGTH	WEIGHT	
S1	41	#4	1	10'-8"	292	
S2	10	#6	1	10'-8"	160	
S3	4	#4	2	9'-1"	24	
S4	68	#4	3	3'-5"	155	
S5	6	#4	2	8'-5"	34	
S6	1	#4	2	9'-11"	7	
* S7	12	#5	STR	3'-8"	46	
S8	4	#4	2	8'-7"	23	
S9	1	#3	STR	1'-10"	1	
S10	1	#3	STR	1'-4"	1	

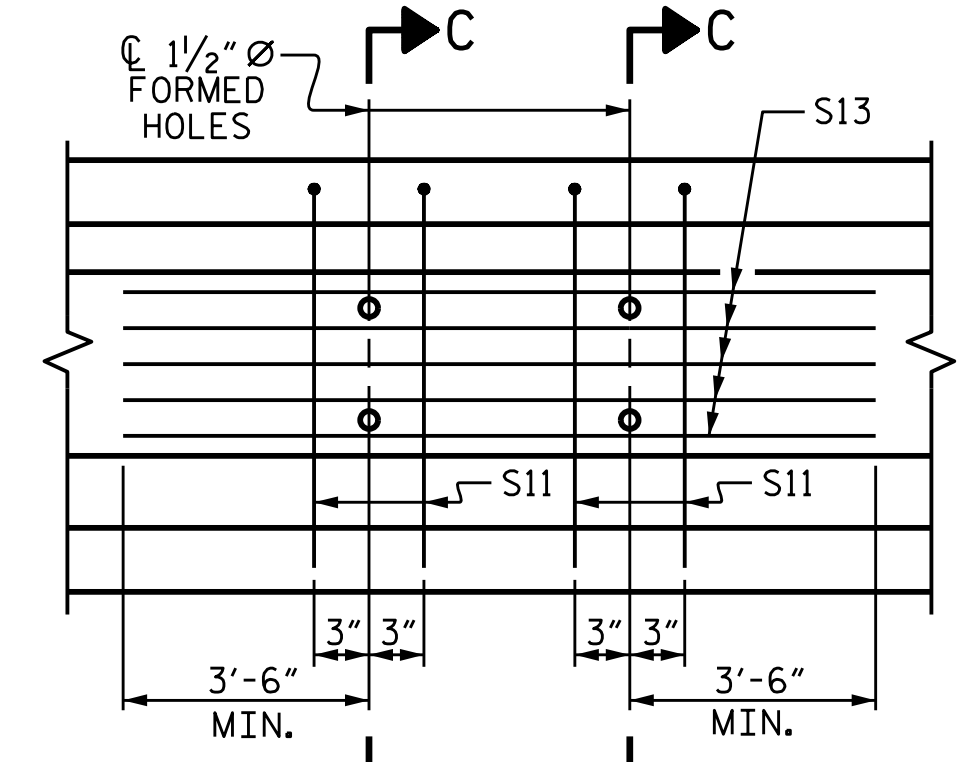
\* NOTE: S7 BARS SHALL BE BENT BEFORE SHIPMENT. HEAT BENDING SHALL NOT BE ALLOWED.

BAR TYPES

ALL BAR DIMENSIONS ARE OUT-TO-OUT

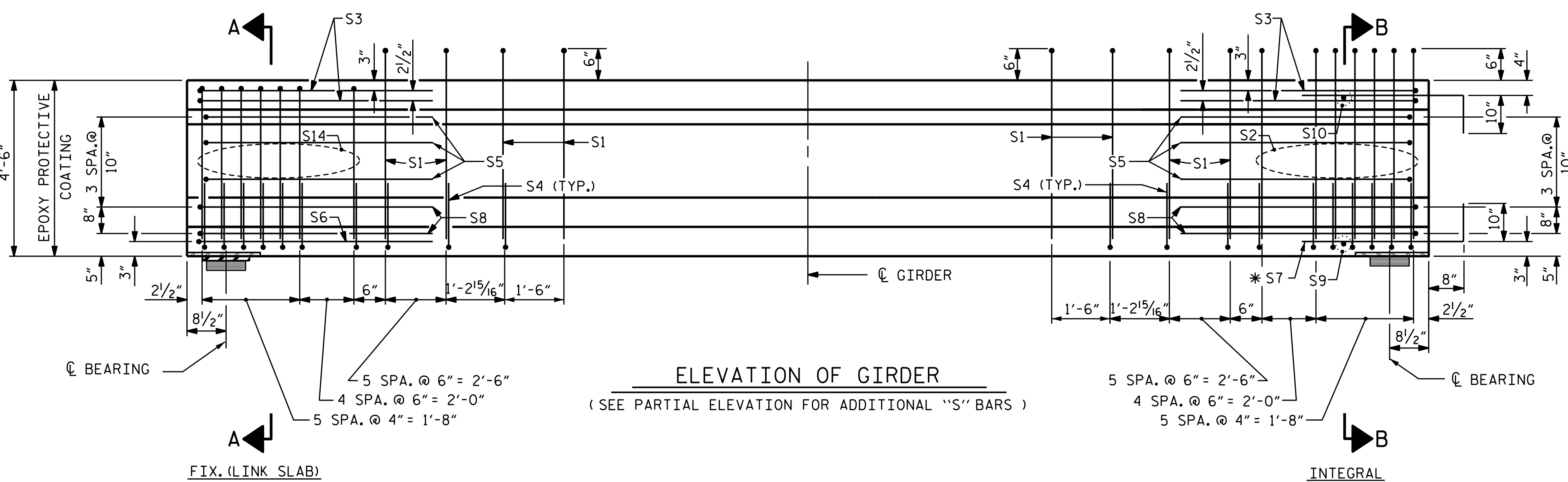


PLAN OF GIRDER



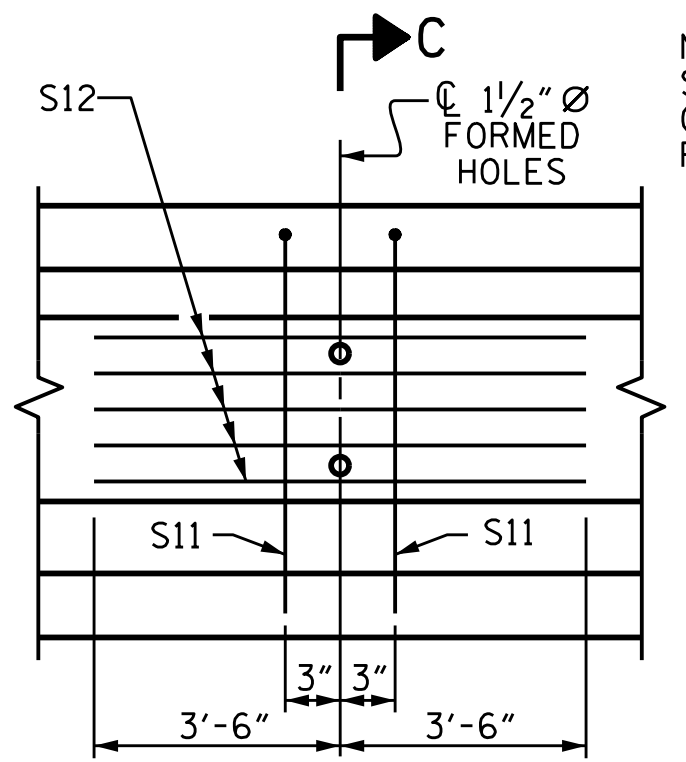
PARTIAL ELEVATION

SHOWING INTERMEDIATE DIAPHRAGM REINFORCING STEEL FOR GIRDER Nos. C2, C3 and C4



ELEVATION OF GIRDER

(SEE PARTIAL ELEVATION FOR ADDITIONAL "S" BARS)



PARTIAL ELEVATION

SHOWING INTERMEDIATE DIAPHRAGM REINFORCING STEEL FOR GIRDER Nos. C1 & C5

NOTE: SEE GIRDER ELEVATION ON FRAMING PLAN FOR FORMED HOLE LOCATIONS.

QUANTITIES FOR ONE GIRDER

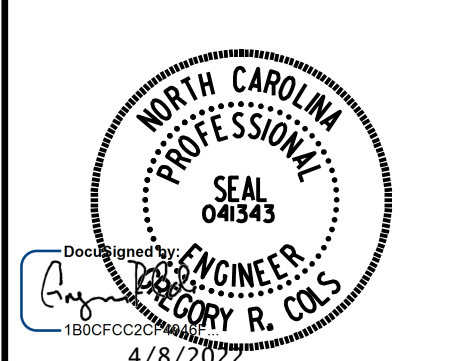
	REINFORCING STEEL LB.	6000 PSI CONCRETE C.Y.	0.6" Ø L. R. STRANDS No.
EXTERIOR GIRDER	924	11.8	18
INTERIOR GIRDER	959	11.8	18

GIRDERS REQUIRED

NUMBER	LENGTH	TOTAL LENGTH
5	58'-2 7/8"	291'-2 3/8"

PROJECT NO. **B-5717**  
**GUILFORD** COUNTY  
 STATION: **21+22.00 -L-**

SHEET 3 OF 5



STATE OF NORTH CAROLINA  
 DEPARTMENT OF TRANSPORTATION  
 RALEIGH  
 STANDARD  
 AASHTO TYPE IV  
 PRESTRESSED CONCRETE GIRDER  
 CONTINUOUS FOR LIVE LOAD  
 SPAN C  
 RIGHT LANE

REVISIONS						SHEET NO.
NO.	BY:	DATE:	NO.	BY:	DATE:	S1-13
1			3			TOTAL SHEETS 38
2			4			

ASSEMBLED BY : B. HODACK	DATE : 5/2021
CHECKED BY : G. HAMILTON	DATE : 9/2021
DRAWN BY : ELR 8/91	REV. 10/1/11 MAA/GM
CHECKED BY : GRP 8/91	REV. 1/15 MAA/TMG
	REV. 12/17 MAA/THC

DOCUMENT NOT CONSIDERED FINAL UNLESS ALL SIGNATURES COMPLETED