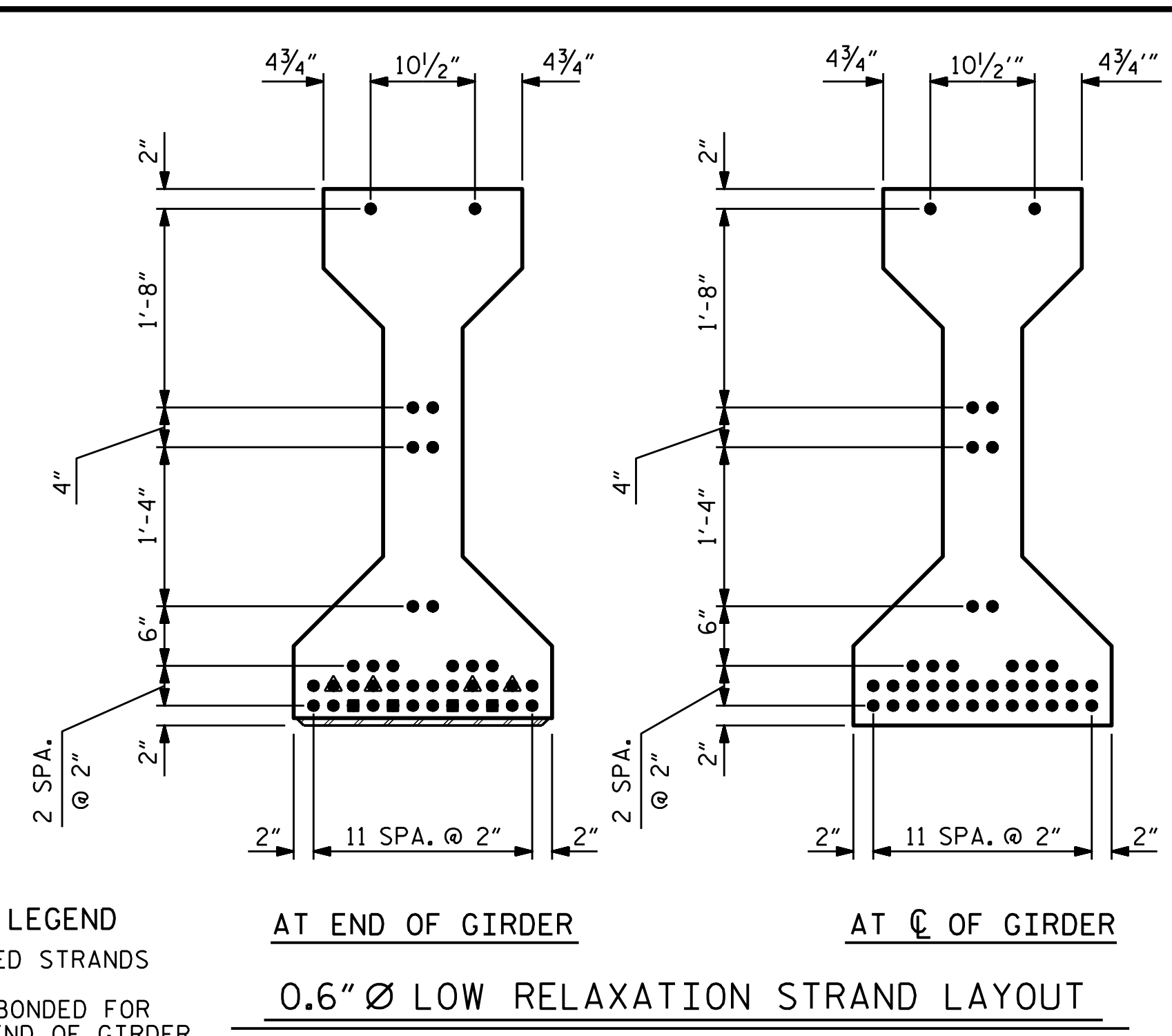
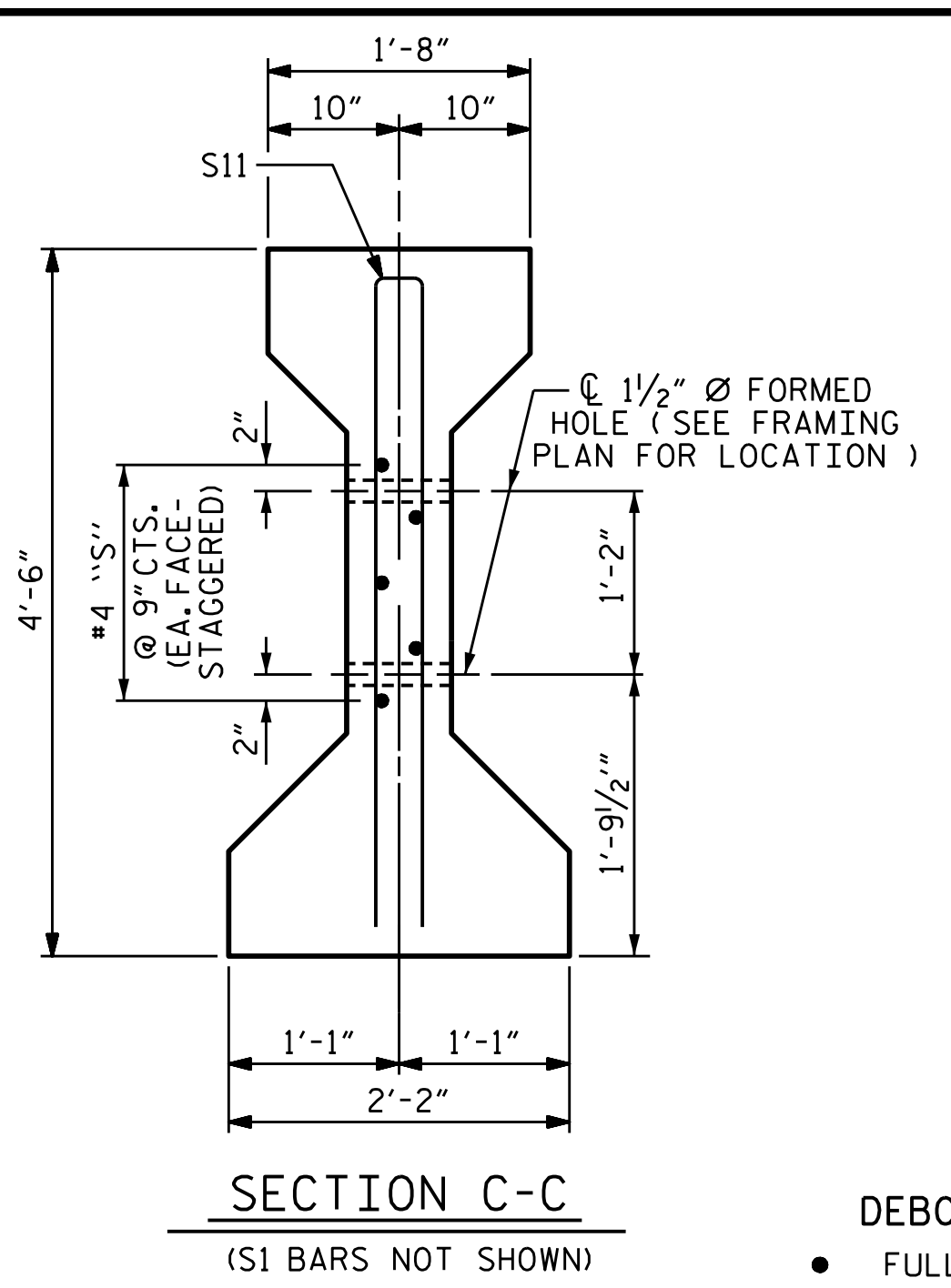
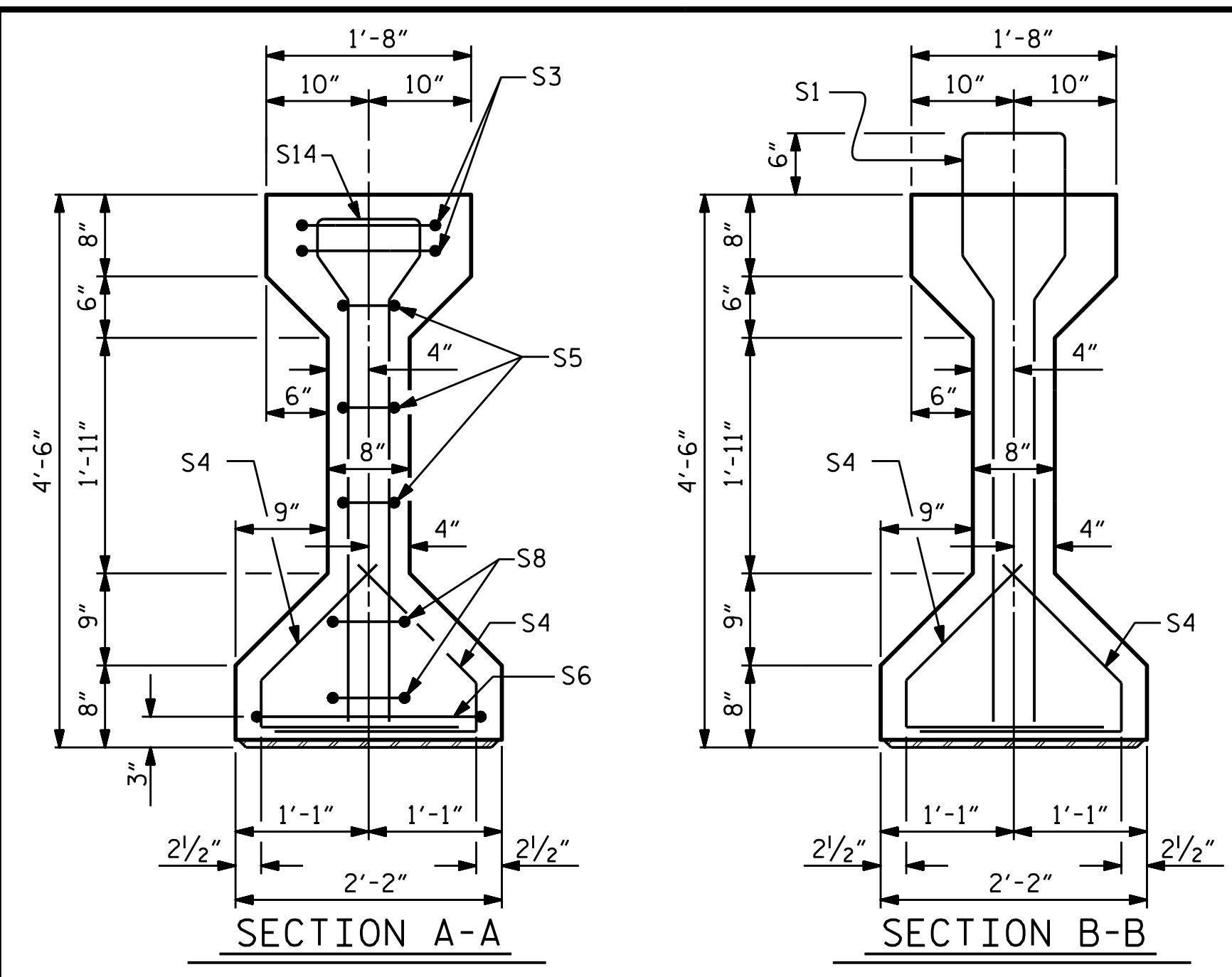
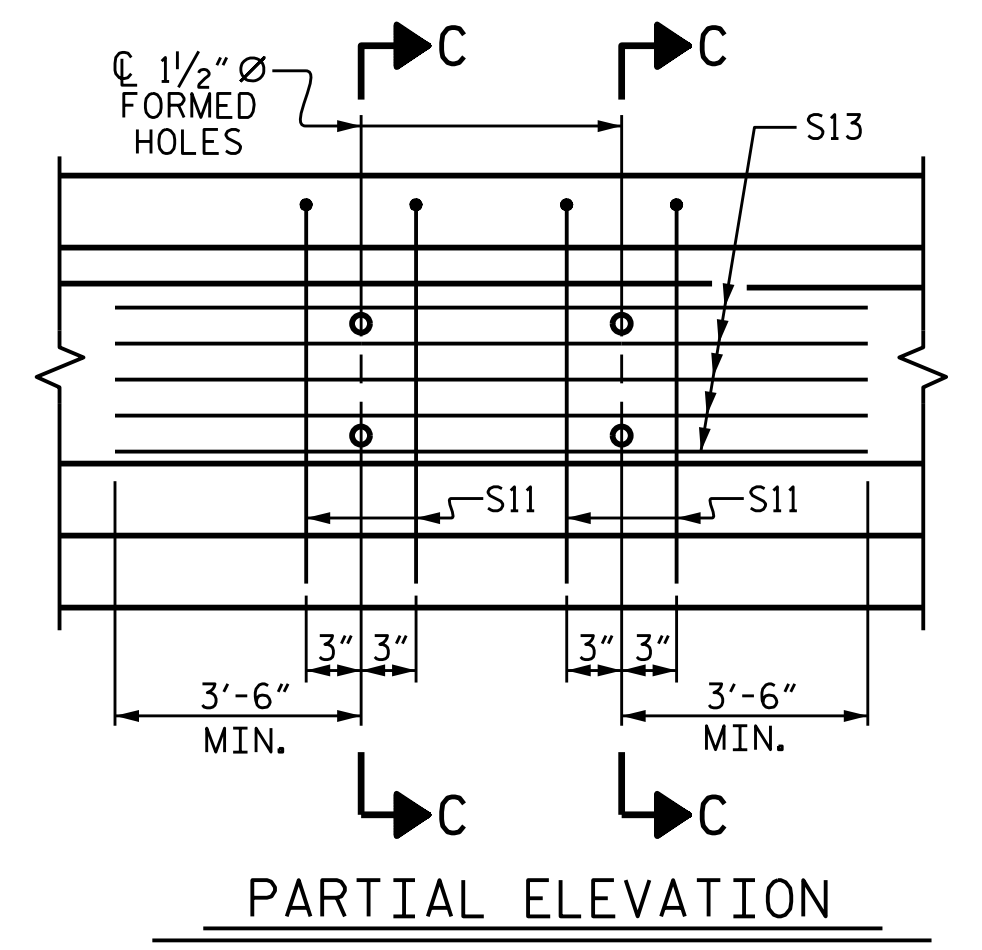
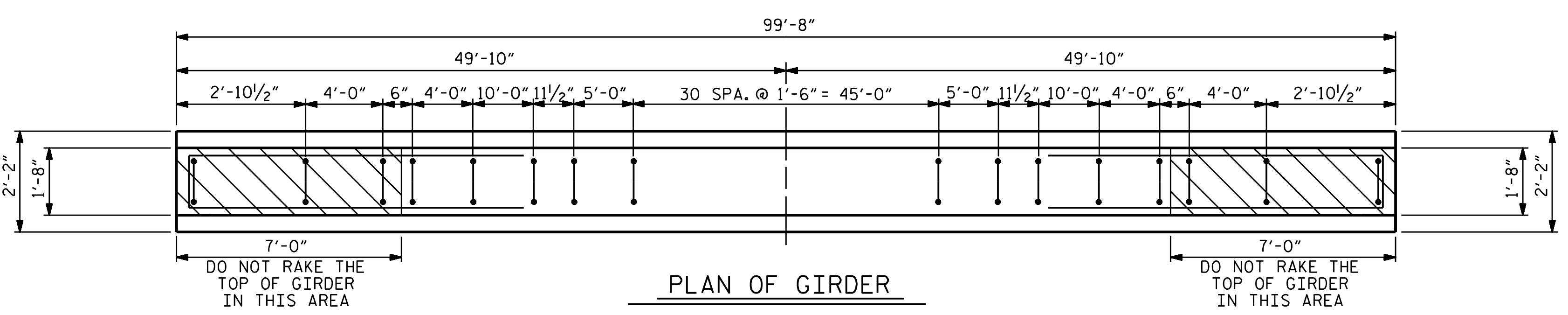


DATE: 3/15/2022
TIME: 3:05:59 PM

USER: pva@aec.com
DIR: pva@aec.com
DRAWING: B-5717-000-CAD_GIS910_CAD_VTO_NCDDOT_TIPStructures04_Drawings\01_023_B-5717_SMU_G2_S1-12_40009.dgn

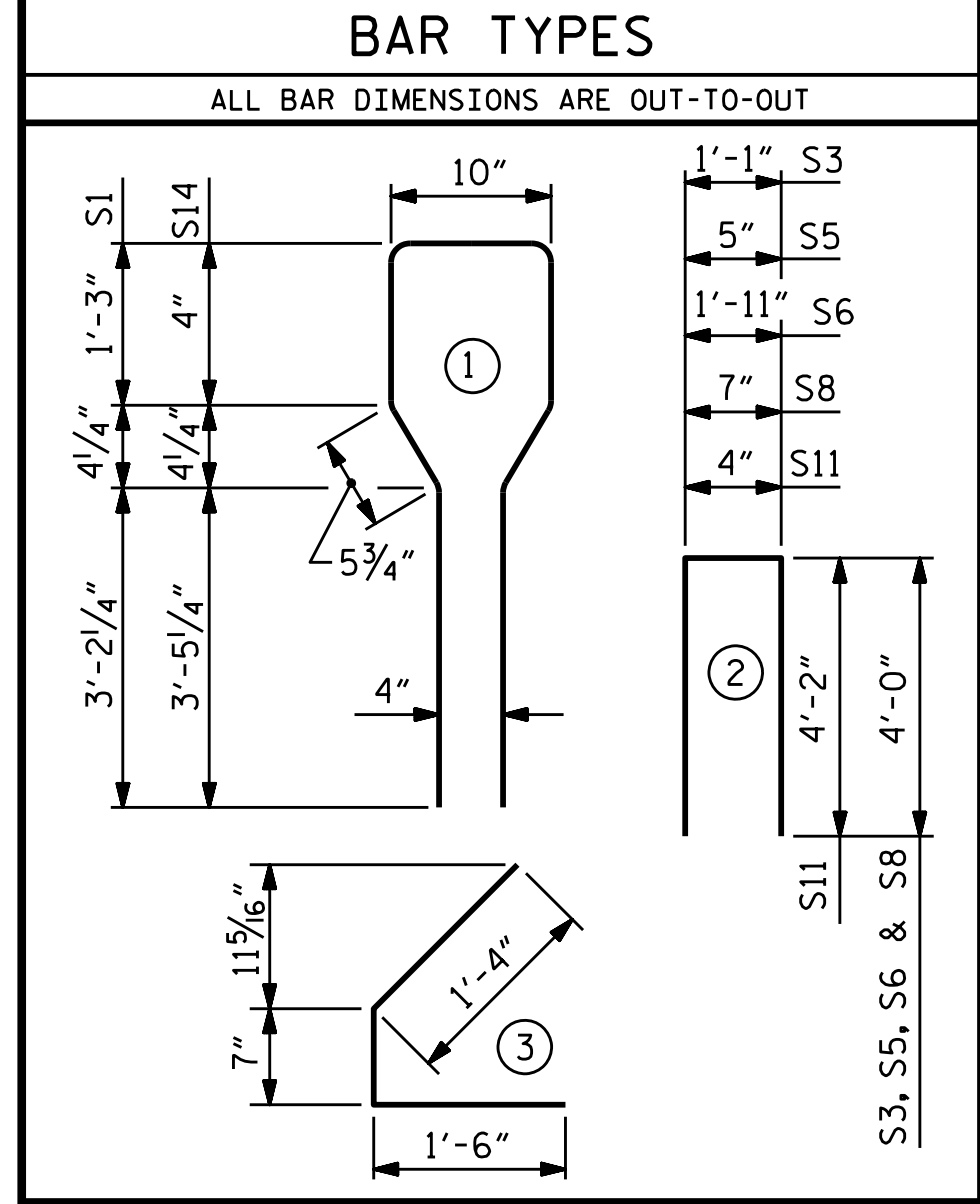


- DEBONDING LEGEND**
- FULLY BONDED STRANDS
 - STRANDS DEBONDED FOR 6'-0" FROM END OF GIRDER
 - STRANDS DEBONDED FOR 8'-0" FROM END OF GIRDER



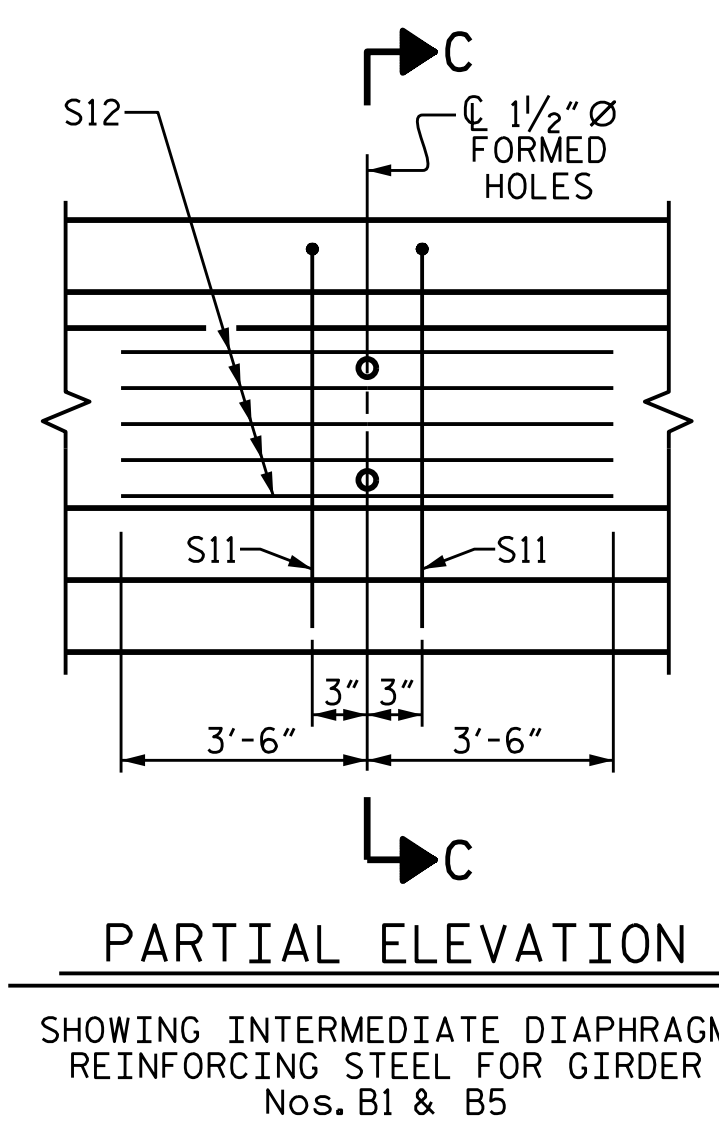
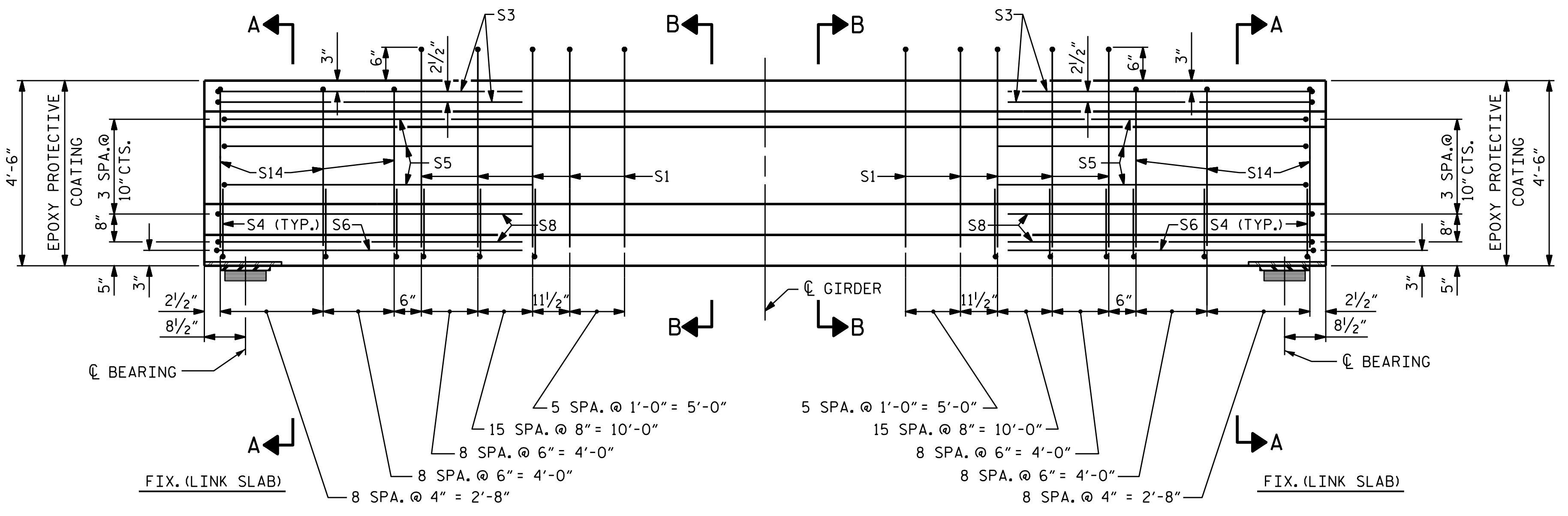
0.6" Ø L. R. GRADE 270 STRANDS		
AREA (SQUARE INCHES)	ULTIMATE STRENGTH (LBS. PER STRAND)	APPLIED PRESTRESS (LBS. PER STRAND)
0.217	58,600	43,950

REINFORCING STEEL FOR ONE GIRDER					
BAR	NUMBER	SIZE	TYPE	LENGTH	WEIGHT
S1	89	#4	1	10'-8"	634
S3	4	#4	2	9'-1"	24
S4	164	#4	3	3'-5"	934
S5	6	#4	2	8'-5"	34
S6	2	#4	2	9'-11"	13
S8	4	#4	2	8'-7"	23
EXTERIOR GDR. S11	2	#5	2	8'-8"	18
INTERIOR GDR. S11	4	#5	2	8'-8"	36
EXTERIOR GDR. S12	5	#4	STR	7'-0"	23
INTERIOR GDR. S13	5	#4	STR	12'-1"	40
S14	34	#6	1	9'-4"	477



QUANTITIES FOR ONE GIRDER			
	REINFORCING STEEL (LB.)	8000 PSI CONCRETE (C.Y.)	0.6" Ø L. R. STRANDS (No.)
EXTERIOR GIRDER	2180	20.23	38
INTERIOR GIRDER	2215	20.23	38

GIRDERS REQUIRED		
NUMBER	LENGTH	TOTAL LENGTH
5	99'-8"	498'-4"



NOTE: SEE GIRDER ELEVATION ON FRAMING PLAN FOR FORMED HOLE LOCATIONS.

ASSEMBLED BY : B. HODACK	DATE : 5/2021
CHECKED BY : G. HAMILTON	DATE : 9/2021
DRAWN BY : JMB 12/87	REV. 10/1/11 MAA/GM
CHECKED BY : ARB 12/87	REV. 1/15 MAA/TMG
	REV. 12/17 MAA/THC

ELEVATION OF GIRDER
(SEE PARTIAL ELEVATION FOR ADDITIONAL "S" BARS)

DOCUMENT NOT CONSIDERED FINAL UNLESS ALL SIGNATURES COMPLETED



PROJECT NO. B-5717
GUILFORD COUNTY
STATION: 21+22.00 -L-

SHEET 2 OF 5

STATE OF NORTH CAROLINA
DEPARTMENT OF TRANSPORTATION
RALEIGH

STANDARD
AASHTO TYPE IV
PRESTRESSED CONCRETE GIRDER

SPAN B
RIGHT LANE

REVISIONS					
NO.	BY:	DATE:	NO.	BY:	DATE:
1			3		
2			4		

SHEET NO. S1-12
TOTAL SHEETS 38