

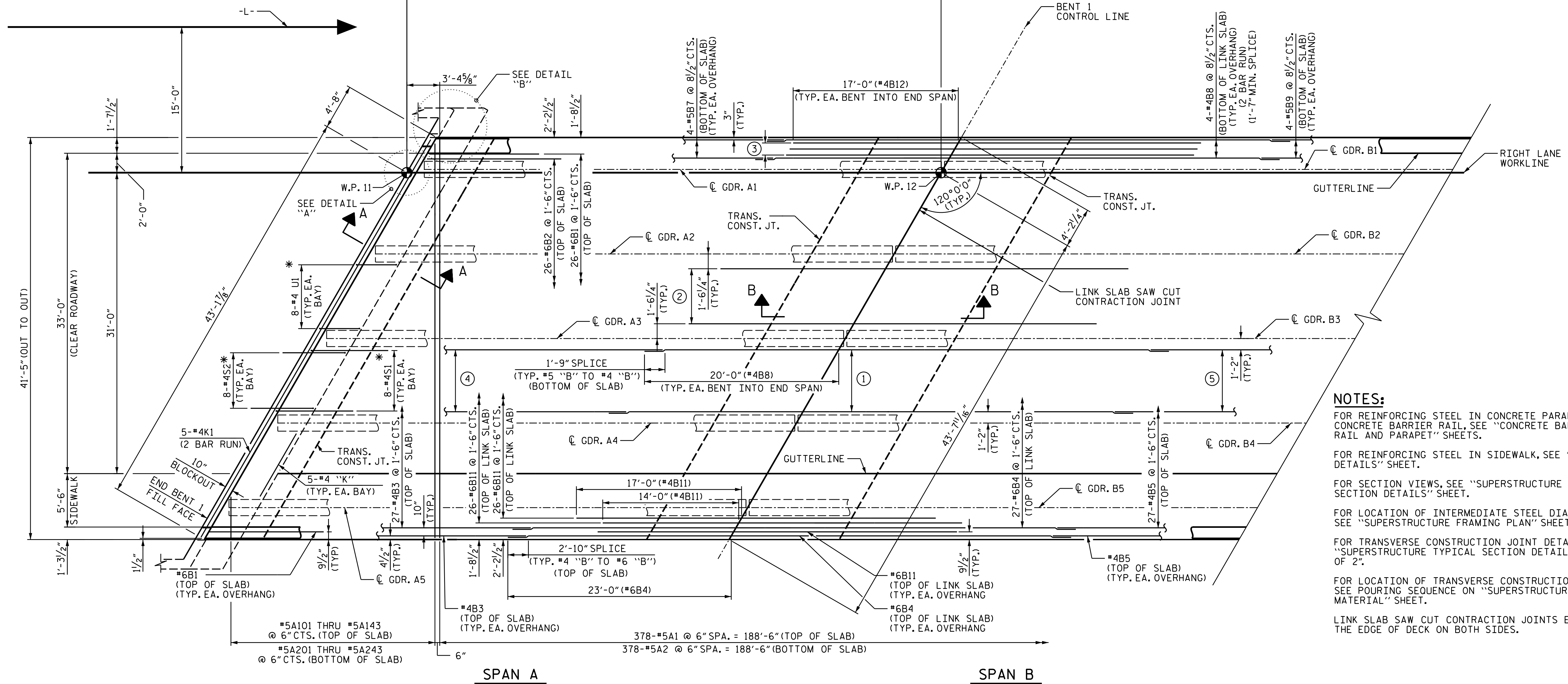
DATE: 3/31/2022
TIME: 3:06:30 PM

USER: gntpcadm
DN: pva@aecom.com
DRAWING NO. 6159100-CAD
G:\S\9100-CAD\DOT_T\IP\Structures\04 Drawings\401.L_B-517T-SMU-S1-07_400050.dgn

OVERALL LENGTH = 215'-0" (FILL FACE AT END BENT 1 TO FILL FACE AT END BENT 2)

55'-0" (W.P. 11 TO W.P. 12)

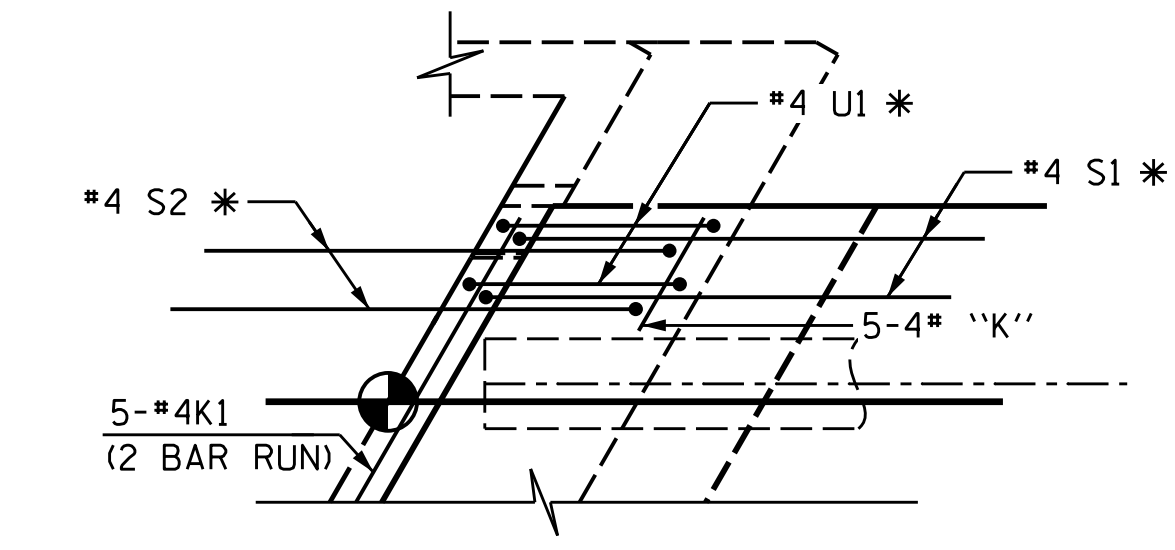
100'-0" (W.P. 12 TO W.P. 13)



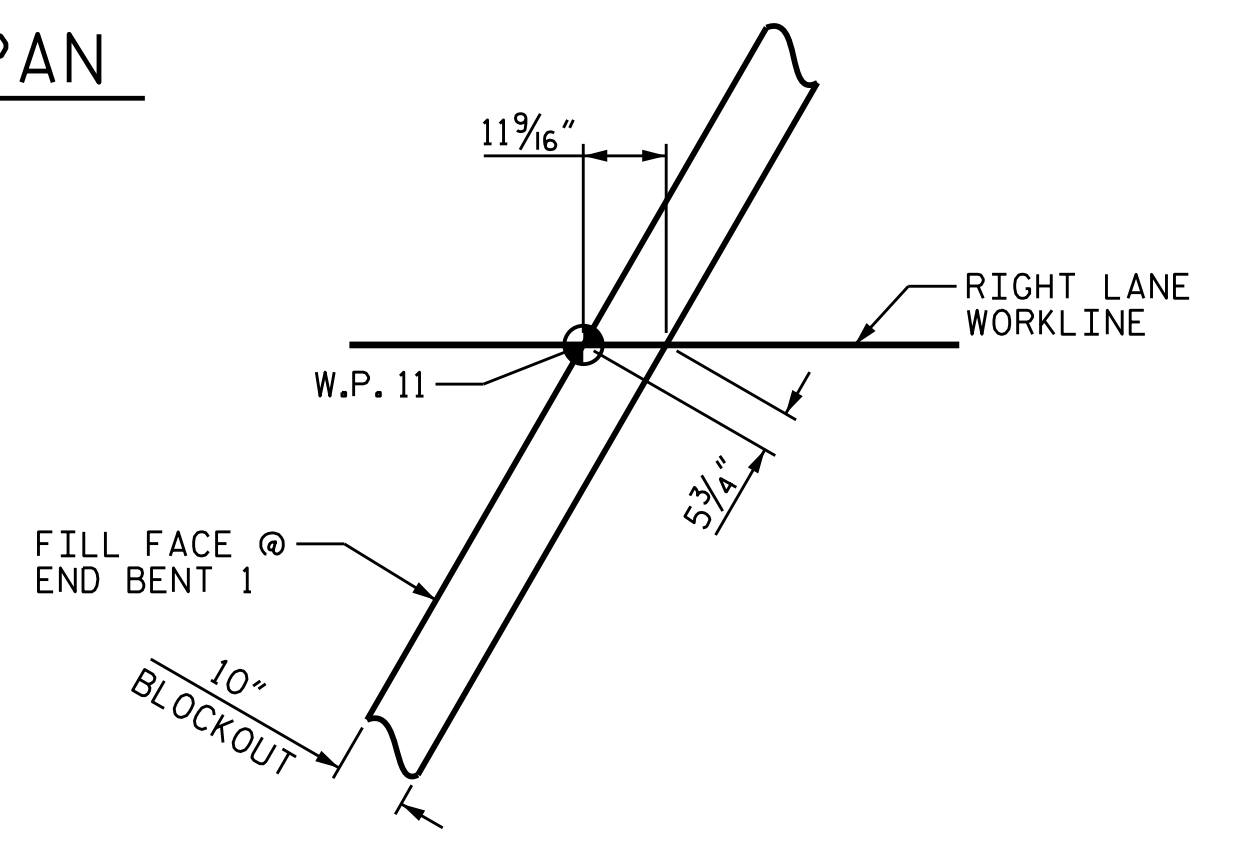
- NOTES:**
- FOR REINFORCING STEEL IN CONCRETE PARAPET AND CONCRETE BARRIER RAIL, SEE "CONCRETE BARRIER RAIL AND PARAPET" SHEETS.
 - FOR REINFORCING STEEL IN SIDEWALK, SEE "SIDEWALK DETAILS" SHEET.
 - FOR SECTION VIEWS, SEE "SUPERSTRUCTURE TYPICAL SECTION DETAILS" SHEET.
 - FOR LOCATION OF INTERMEDIATE STEEL DIAPHRAGMS, SEE "SUPERSTRUCTURE FRAMING PLAN" SHEET.
 - FOR TRANSVERSE CONSTRUCTION JOINT DETAIL, SEE "SUPERSTRUCTURE TYPICAL SECTION DETAILS, SHEET 2 OF 2".
 - FOR LOCATION OF TRANSVERSE CONSTRUCTION JOINTS, SEE POURING SEQUENCE ON "SUPERSTRUCTURE BILL OF MATERIAL" SHEET.
 - LINK SLAB SAW CUT CONTRACTION JOINTS EXTEND TO THE EDGE OF DECK ON BOTH SIDES.

*: #4 S1, #4 S2 & #4U1 TO MATCH WITH #4 "V" BARS IN INTEGRAL END BENT CAP

- ① 10-#4B8 @ 8 1/2" CTS. (BOTTOM OF LINK SLAB) (TYP. EACH BAY) (2 BAR RUN) (1'-7" MIN. SPLICE)
- ② 9-#4B12 8 1/2" CTS. (BOTTOM OF LINK SLAB) (TYP. EACH BAY) (2 BAR RUN) (1'-7" MIN. SPLICE)
- ③ 3-#4B12 8 1/2" CTS. (BOTTOM OF LINK SLAB) (TYP. EACH OVERHANG) (2 BAR RUN) (1'-7" MIN. SPLICE)
- ④ 10-#5B7 @ 8 1/2" CTS. (BOTTOM OF SLAB) (TYP. EA. BAY)
- ⑤ 10-#5B9 @ 8 1/2" CTS. (BOTTOM OF SLAB) (TYP. EACH BAY)



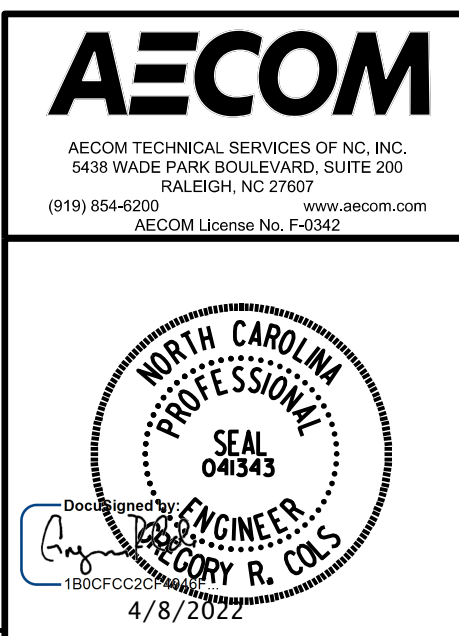
DETAIL "B"
(ALL BARS ARE TYPICAL AT BOTH ENDS OF END BENT)



DETAIL "A"

DRAWN BY : M.L. CATER DATE : 10/2021
 CHECKED BY : G.R. COLS DATE : 10/2021
 DESIGNED BY : D.R. DRUM DATE : 06/2021
 DESIGN CHECKED BY : S. NATARAJAN DATE : 06/2021

DOCUMENT NOT CONSIDERED FINAL UNLESS ALL SIGNATURES COMPLETED



PROJECT NO. B-5717
 GUILFORD COUNTY
 STATION: 21+22.00 -L-

SHEET 1 OF 2
 STATE OF NORTH CAROLINA
 DEPARTMENT OF TRANSPORTATION
 RALEIGH
 SUPERSTRUCTURE
 PLANS OF SPANS
 (RIGHT LANE)

REVISIONS						SHEET NO.
NO.	BY:	DATE:	NO.	BY:	DATE:	S1-07
1			3			TOTAL SHEETS 38
2			4			