
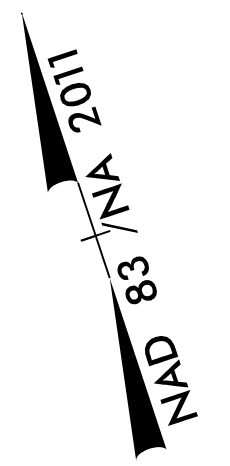
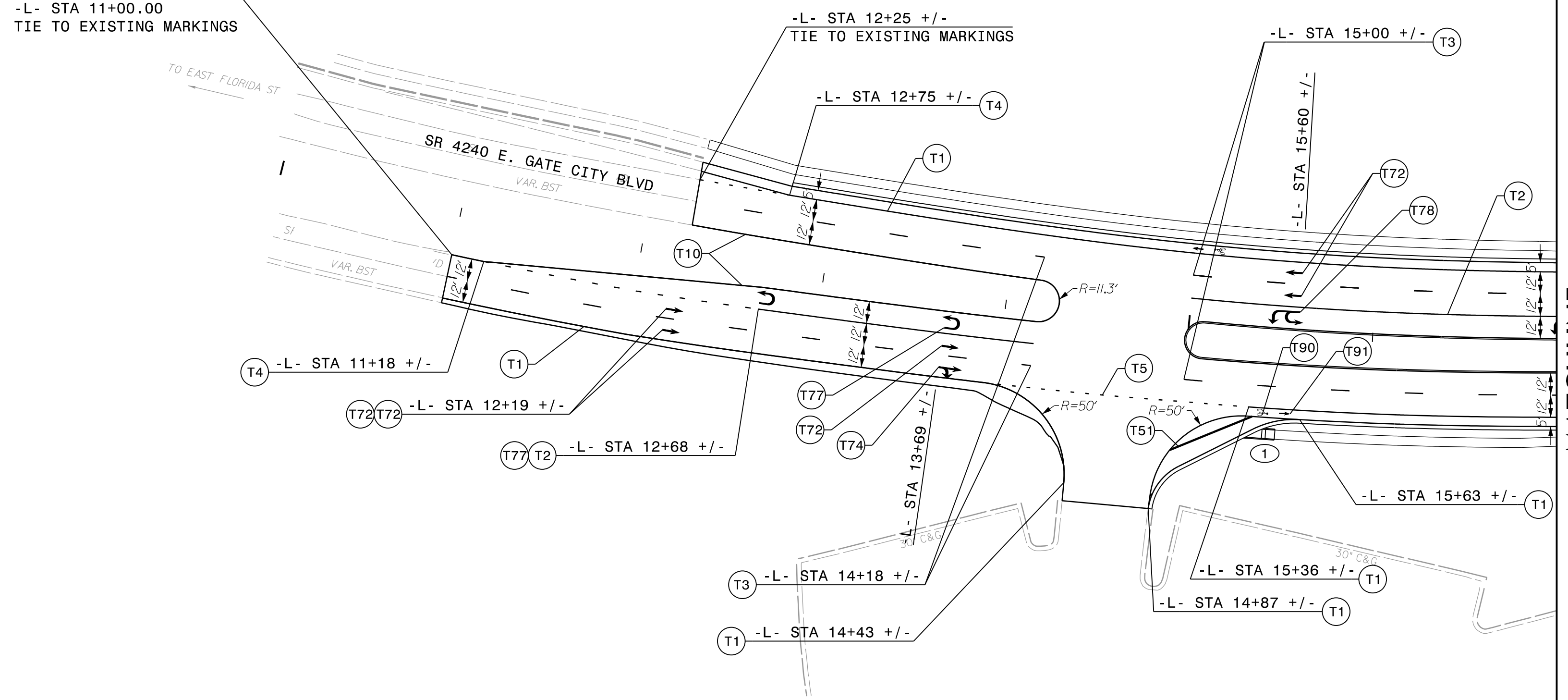


TIP NO. B-5717	SHEET NO. PMP-2
APPROVED: <i>Timothy A. Klotz</i> SEAL 046210 ENGINEER TIMOTHY A. KLOTZ	
DATE: 4/25/2022	
SEAL	
	
DOCUMENT NOT CONSIDERED FINAL UNLESS ALL SIGNATURES COMPLETED	
AECOM NC FIRM LICENSE No. F-0342 5438 Wade Park Boulevard, Suite 200 Raleigh, NC 27607 1997-461-1103	



CURB RAMP LOCATIONS
 ① -L- 15+35 +/- 56' RT (TYPE 1)

BEGIN TIP PROJECT B-5717
 -L- STA 11+00.00
 TIE TO EXISTING MARKINGS



MATCHLINE
 -L- STA 17 + 00.00
 SEE SHEET PMP-3

PAVEMENT MARKING DETAIL

3/7/2022
 p:\aecom-na-pw-bentley.com\AECOM_DS21_NA_2020\Documents\60592827-NC001_SMU B-5717\900-CAD_GIS\910-CAD\TO_NCD01_TIP\Tranfig\AECOM\B5717_pmp_psh02.dgn
 Tim.Klotz