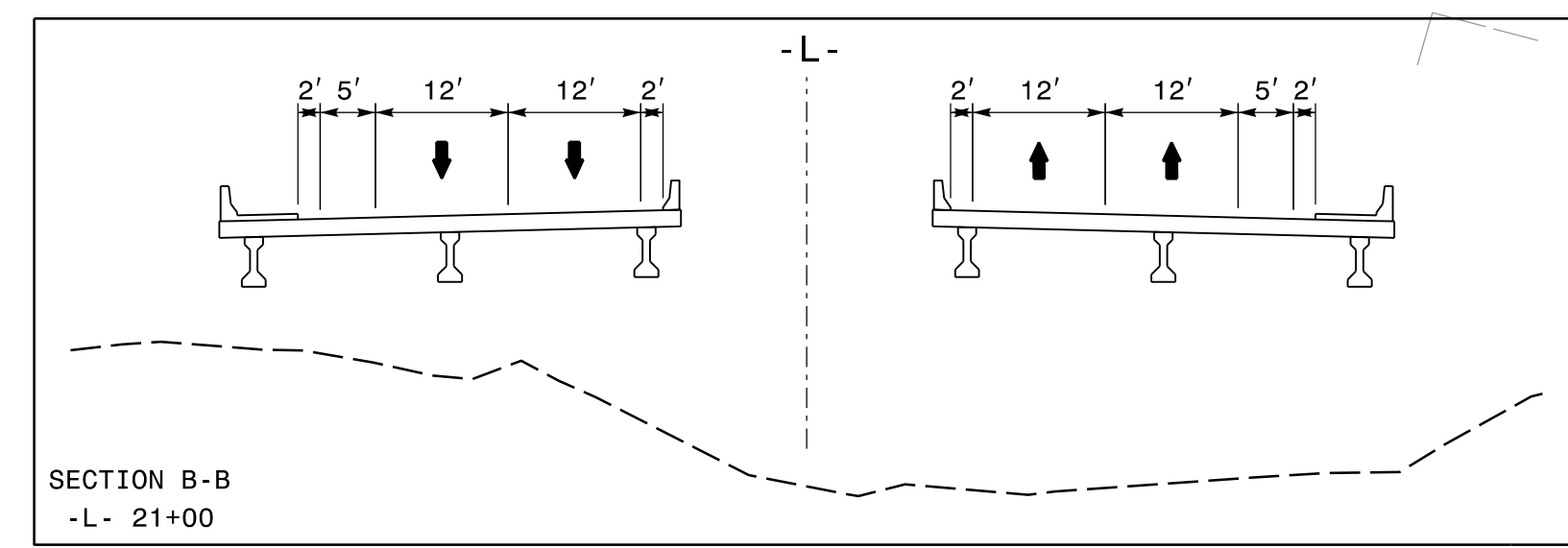
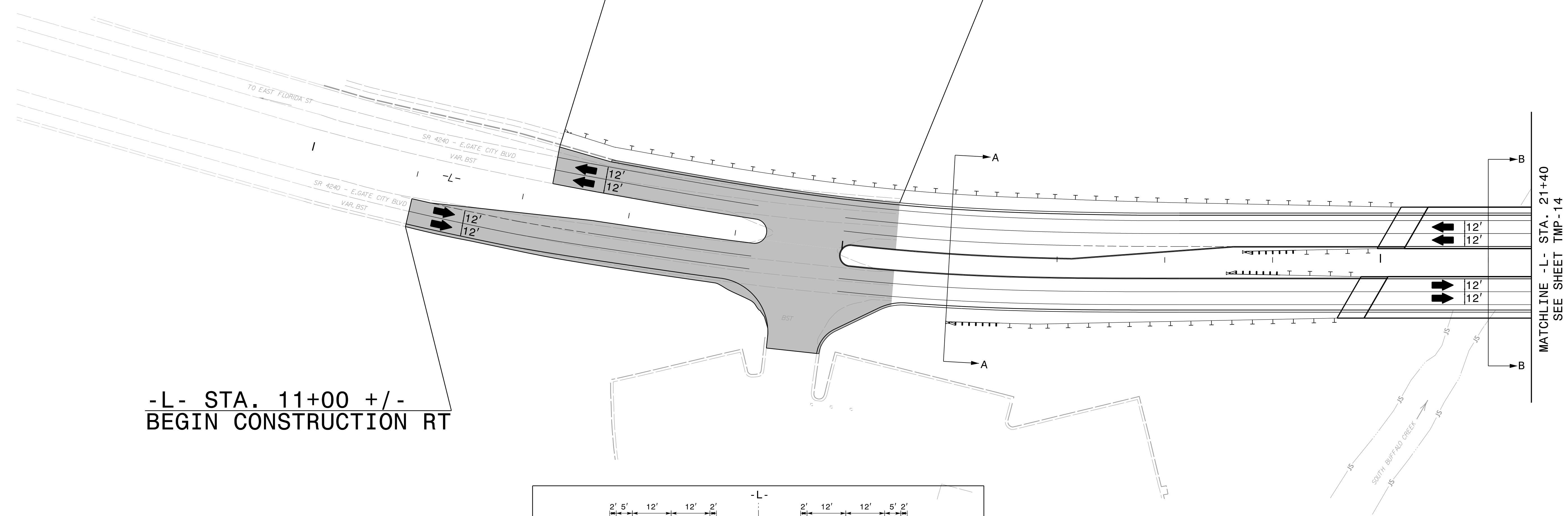


-L- STA. 15+50 +/-
END CONSTRUCTION LT & RT

-L- STA. 12+25 +/-
BEGIN CONSTRUCTION LT

-L- STA. 11+00 +/-
BEGIN CONSTRUCTION RT

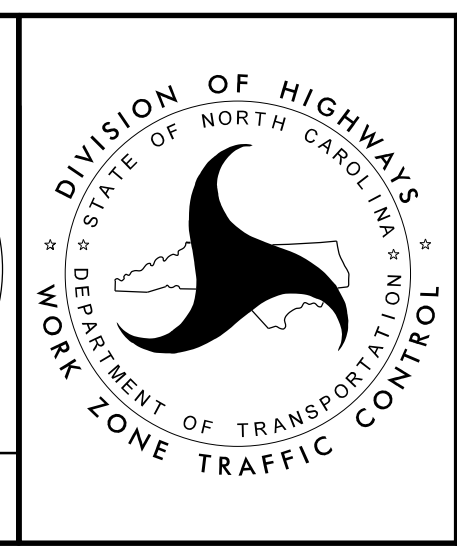


WORK ZONE

APPROVED: *Timothy A. Vlot*
DATE: 4/25/2022

SEAL

**DOCUMENT NOT CONSIDERED FINAL
UNLESS ALL SIGNATURES COMPLETED**



PHASE III DETAIL

3/28/2022
PW:\gsccon-na-pw.bentley.com\AECOM\DS2\INA_2020\Documents\60592827-NC001_SMU_B-5717\900-CAD_GIS\910-CAD\70_NCD01_TIP\TrafficControl\TCP\B5717_TC_TMP_PSH_13_Phase III.dgn
Tim.Klotz