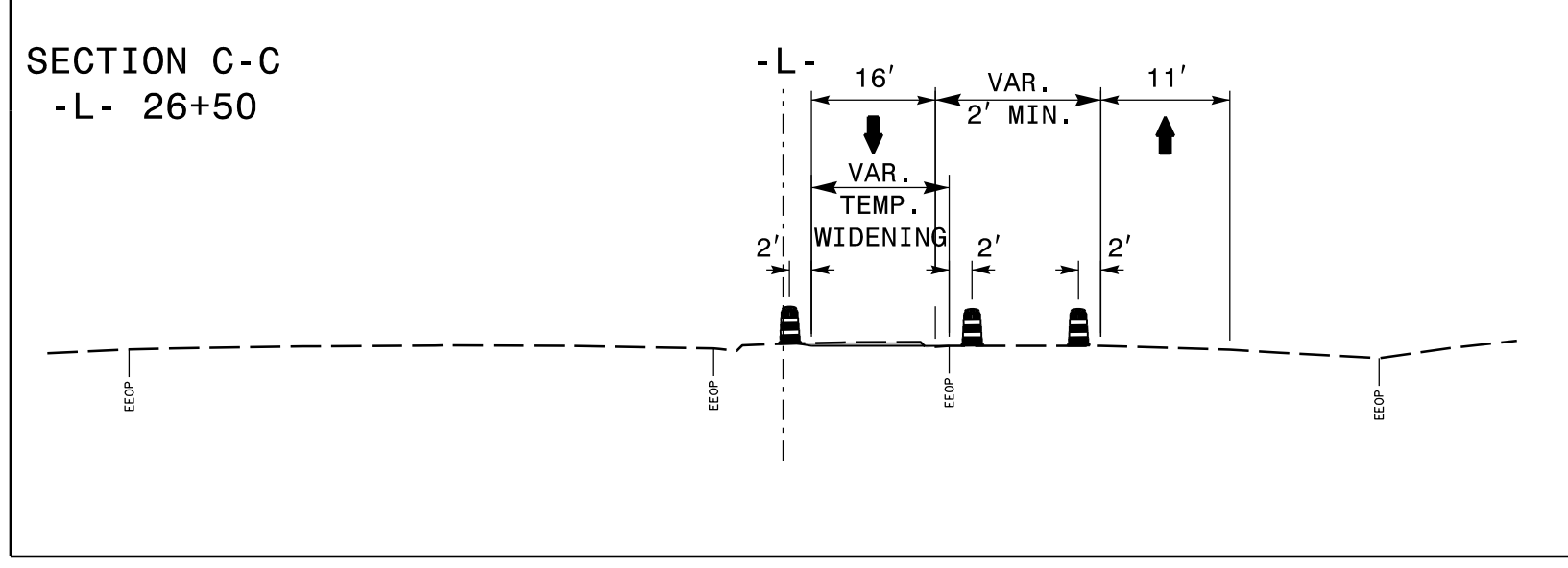
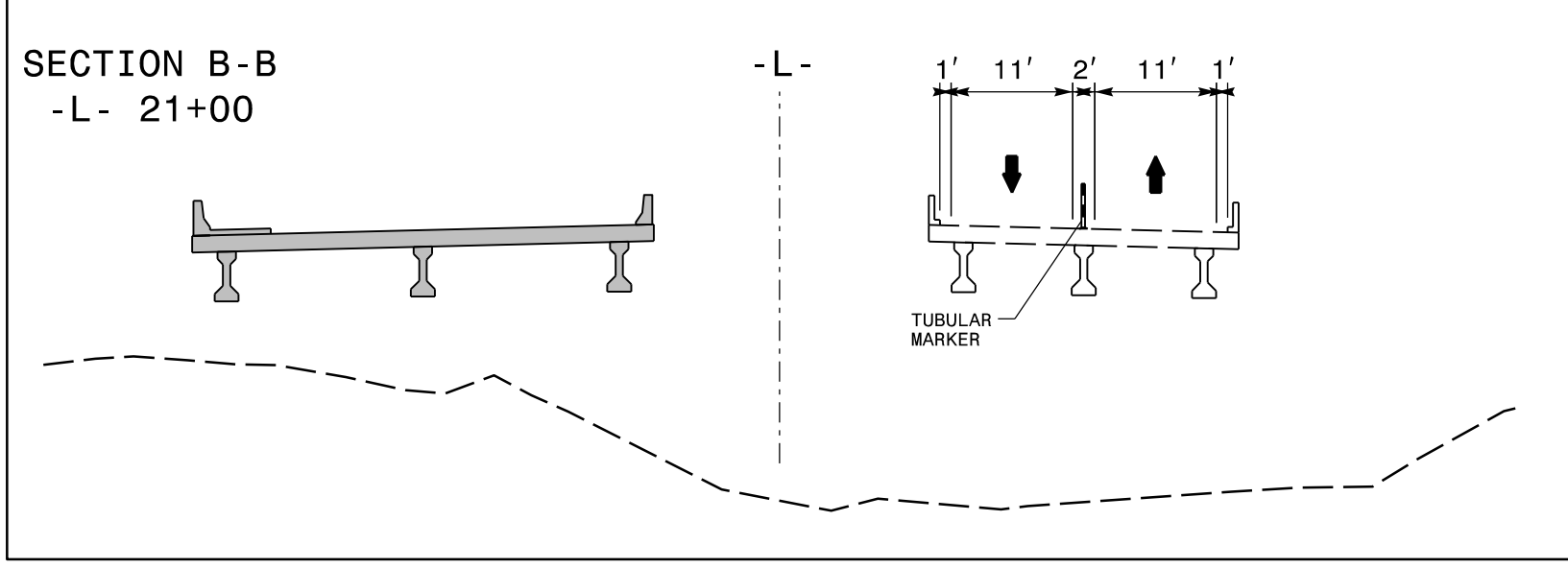
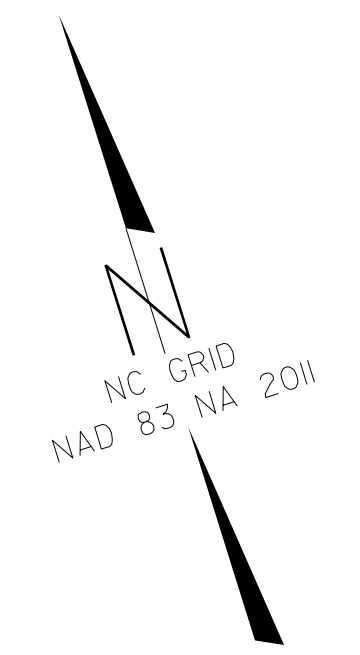
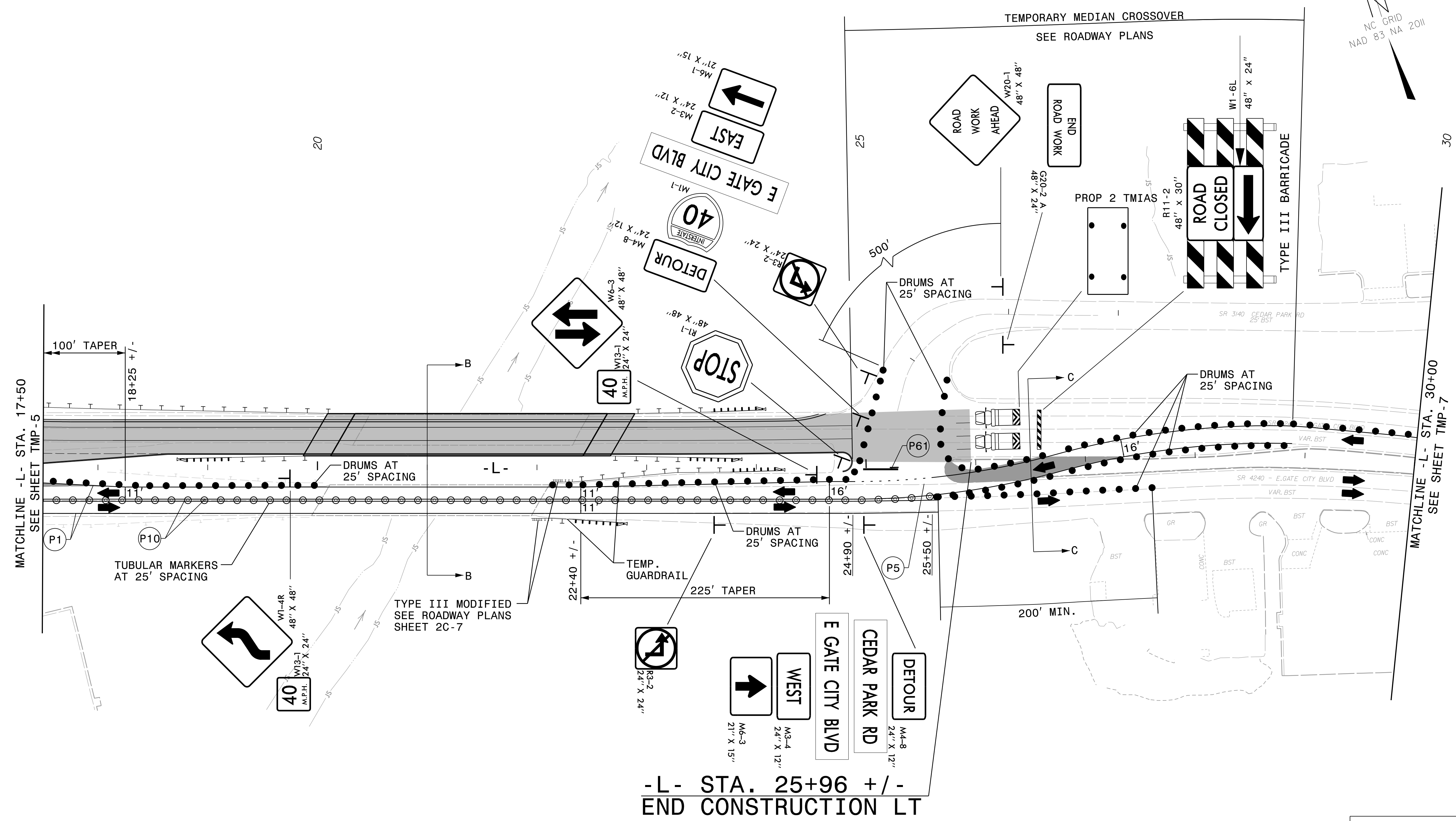


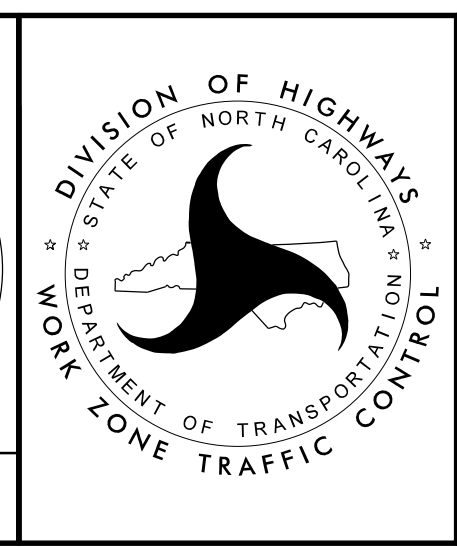
4/14/2022  
 pw:\gaccon-na-pw.bentley.com:pw.bentley.com:AE\COM\_DS2\NA\_2020\Documents\60592827-NCDDT\_SMU\_B-5717\900-CAD\_GIS\910-CAD\_70\_NCD0T\_TIP\TrafficControl\TC\B5717\_Tc\_TMP\_PSH\_06\_Phase I.dgn  
 Tim.Klotz



APPROVED: *Timothy A. Klotz*  
 DATE: 4/25/2022

SEAL

**PROFESSIONAL SEAL**  
 046210  
 ENGINEER  
 TIMOTHY A. KLOTZ



**PHASE I DETAIL**

WORK ZONE

**DOCUMENT NOT CONSIDERED FINAL UNLESS ALL SIGNATURES COMPLETED**