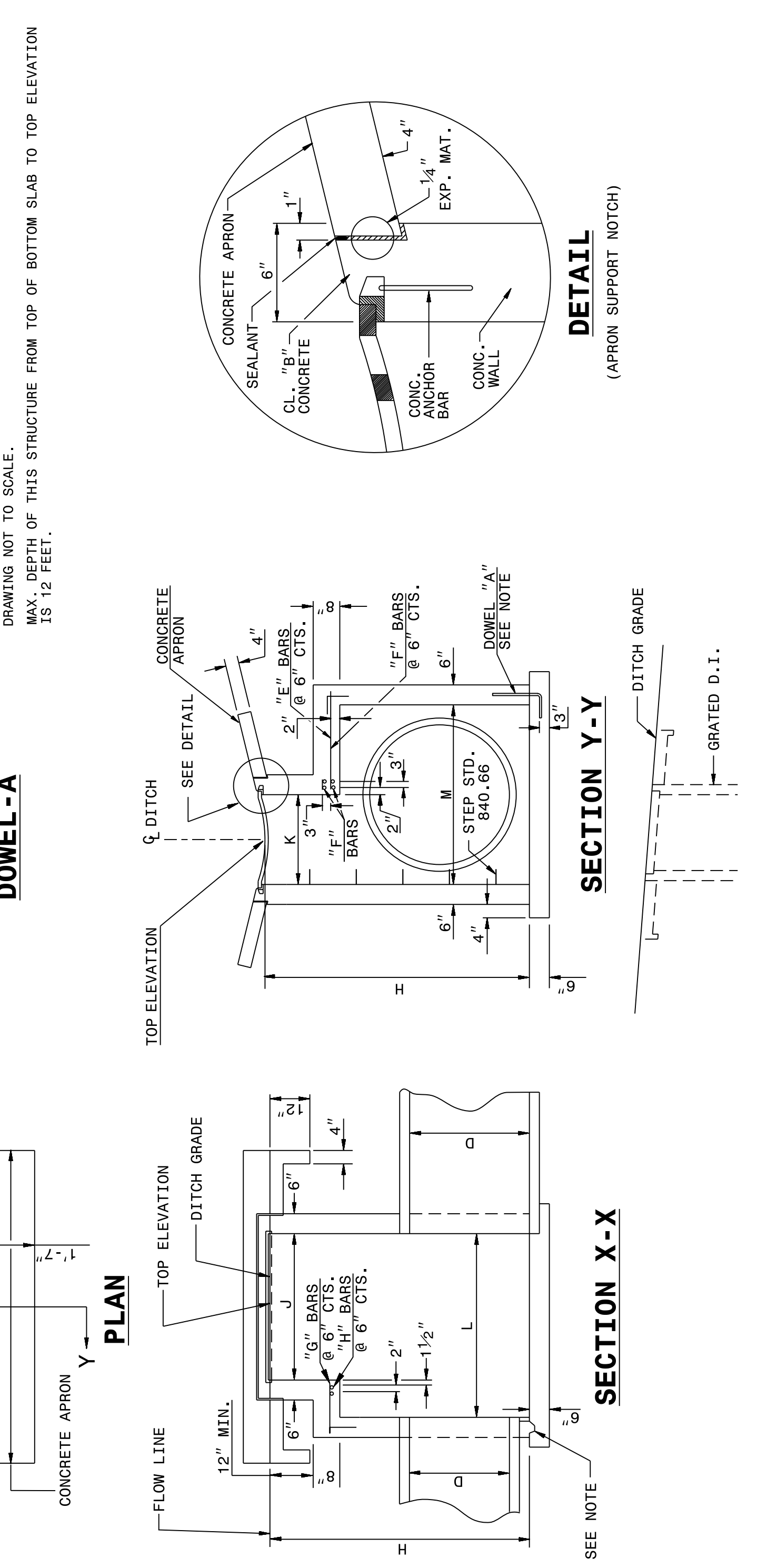
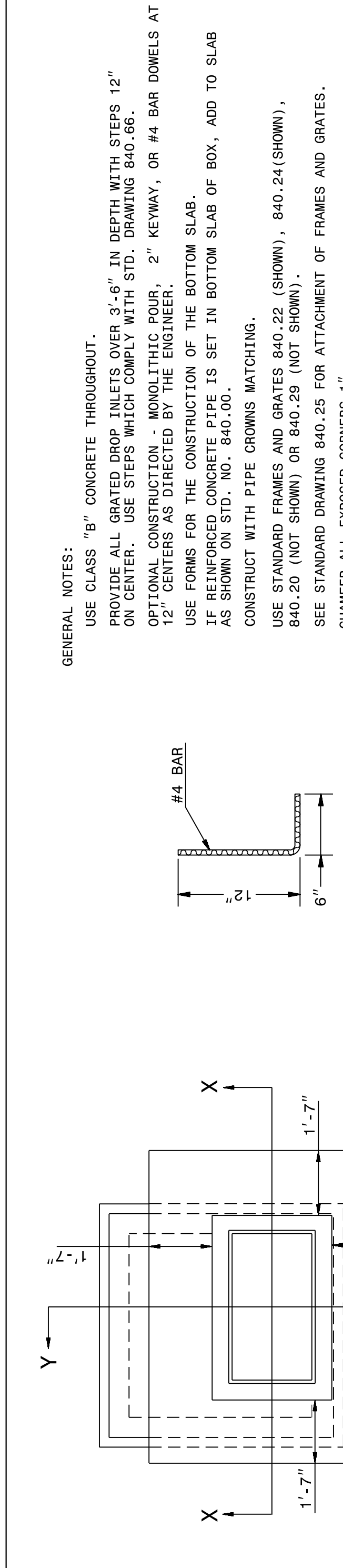


STATE OF NORTH CAROLINA DEPT. OF TRANSPORTATION DIVISION OF HIGHWAYS RALEIGH, N.C.

ENGLISH DETAIL DRAWING FOR CONCRETE GRATED DROP INLET TYPE 'A' MINIMUM DEPTH 12" THRU 72" PIPE

SHEET 1 OF 2 840d17

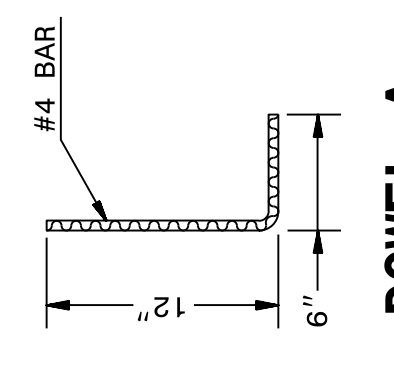


STATE OF NORTH CAROLINA DEPT. OF TRANSPORTATION DIVISION OF HIGHWAYS RALEIGH, N.C.

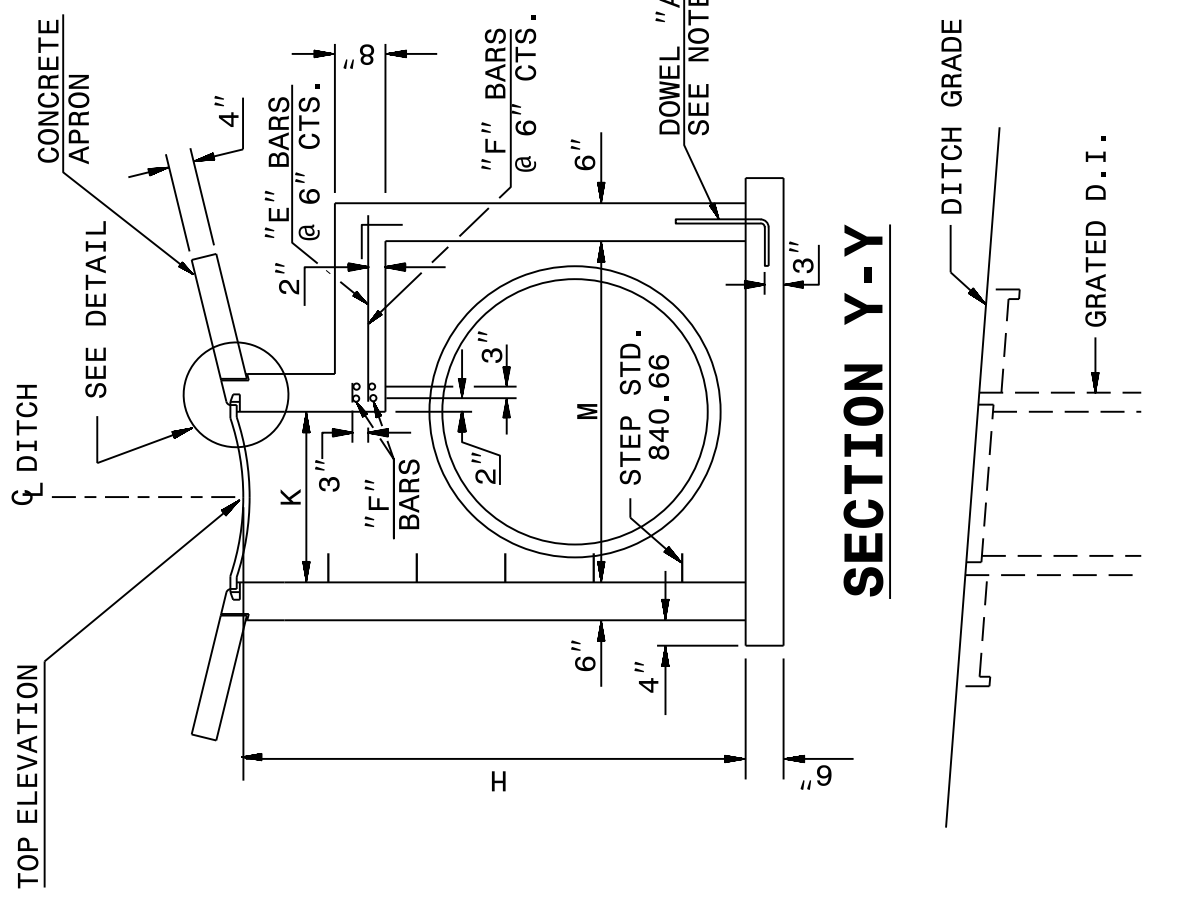
ENGLISH DETAIL DRAWING FOR CONCRETE GRATED DROP INLET TYPE 'A' MINIMUM DEPTH 12" THRU 72" PIPE

SHEET 1 OF 2 840d17

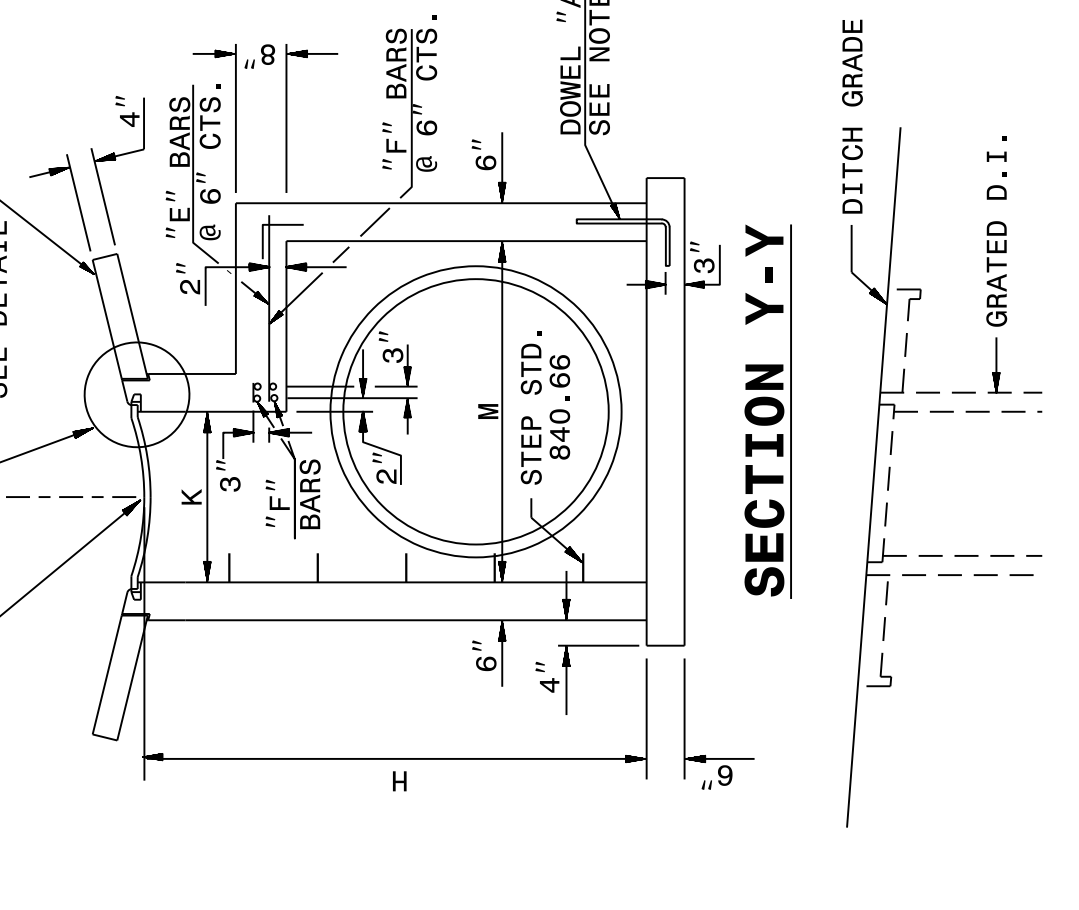
GENERAL NOTES: USE CLASS "B" CONCRETE THROUGHOUT. PROVIDE ALL GRATED DROP INLETS OVER 3'-6" IN DEPTH WITH STEPS 12" ON CENTER. USE STEPS WHICH COMPLY WITH STD. DRAWING 840.66. OPTIONAL CONSTRUCTION - MONOLITHIC POUR, 2" KEYWAY, OR #4 BAR DOWELS AT 12" CENTERS AS DIRECTED BY THE ENGINEER. USE FORMS FOR THE CONSTRUCTION OF THE BOTTOM SLAB. REINFORCED CONCRETE PIPE IS SET IN BOTTOM SLAB OF BOX, ADD TO SLAB AS SHOWN ON STD. NO. 840.00. CONSTRUCT WITH PIPE CROWNS MATCHING. USE STANDARD FRAMES AND GRATES 840.22 (SHOWN), 840.24 (SHOWN), 840.20 (NOT SHOWN) OR 840.29 (NOT SHOWN). SEE STANDARD DRAWING 840.25 FOR ATTACHMENT OF FRAMES AND GRATES. CHAMFER ALL EXPOSED CORNERS 1". DRAWING NOT TO SCALE. MAX. DEPTH OF THIS STRUCTURE FROM TOP OF BOTTOM SLAB TO TOP ELEVATION IS 12 FEET.



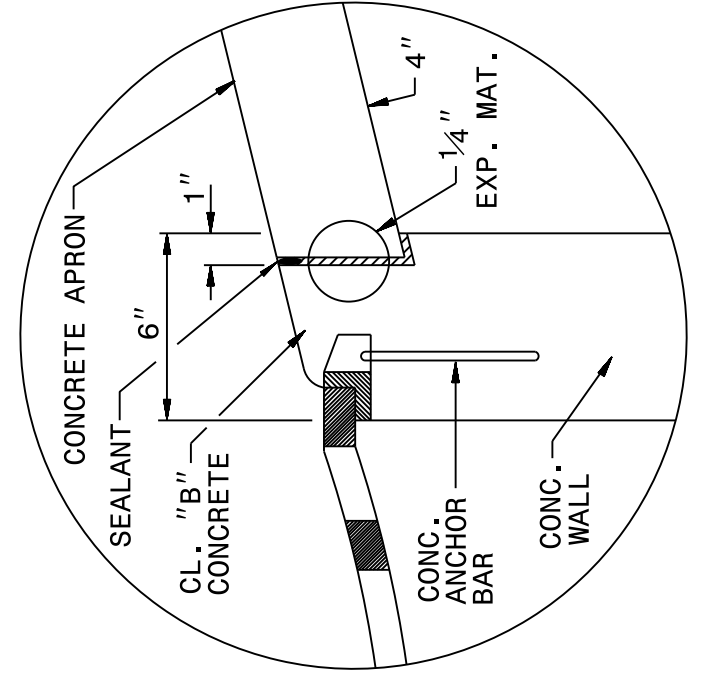
DOWEL - A



TOP ELEVATION



SECTION Y-Y



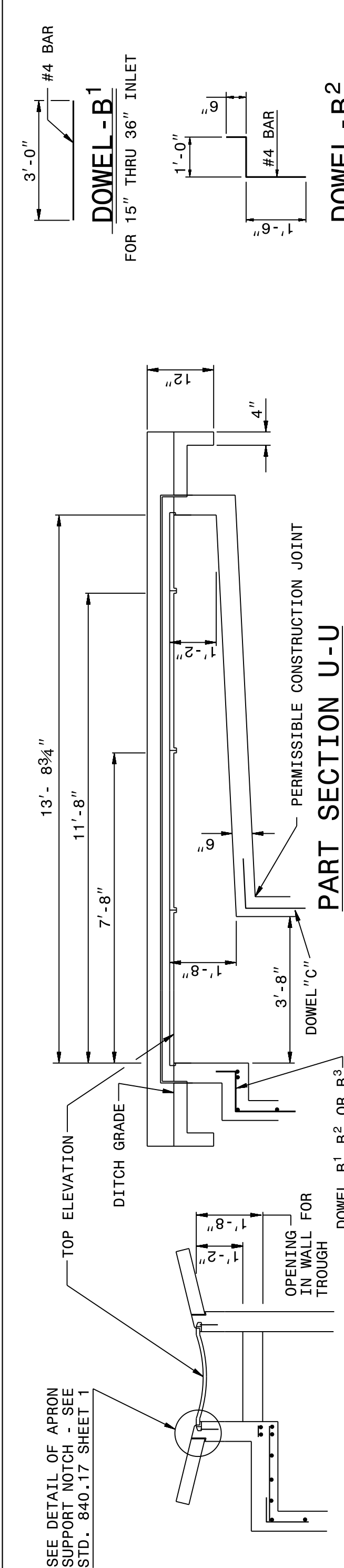
DETAIL (APRON SUPPORT NOTCH)

\\SEP-2017 11:55 AM C:\projects\Specata\840d17 Minimum Depth Type A.dgn

STATE OF NORTH CAROLINA DEPT. OF TRANSPORTATION DIVISION OF HIGHWAYS RALEIGH, N.C.

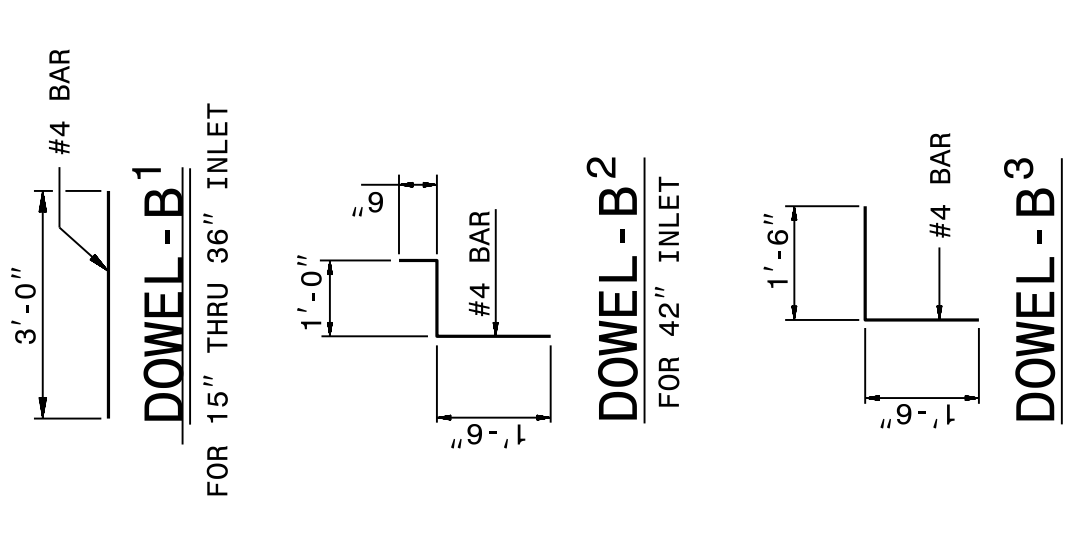
ENGLISH DETAIL DRAWING FOR CONCRETE GRATED DROP INLET TYPE 'A' MINIMUM DEPTH 12" THRU 72" PIPE

SHEET 2 OF 2 840d17



PART SECTION V-V

PART SECTION U-U



DOWEL - B-1

DOWEL - B-2

DOWEL - B-3

Table with 2 columns: QUANTITY TO BE ADDED FOR EACH 2' INCREMENT INLET OPENING, and 10 rows of values for different inlet sizes.

Table with 12 columns: DIMENSIONS OF BOX AND PIPE, MIN. DIMENSIONS AND QUANTITIES FOR CONCRETE GRATED DROP INLET, REINFORCING STEEL - NO. 4 BARS, and DEDUCTIONS FOR ONE PIPE. It contains a large grid of data for various inlet sizes and depths.

CONTRACT STANDARDS AND DEVELOPMENT UNIT Office 919-707-6950 FAX 919-250-4119 SEE TITLE BLOCK

ORIGINAL BY: J. Howerton DATE: 1/22/14 MODIFIED BY: DATE: CHECKED BY: DATE: FILE SPEC.: jhowerton\minimum_depth_type A.dgn



DOCUMENT NOT CONSIDERED FINAL UNLESS ALL SIGNATURES COMPLETED