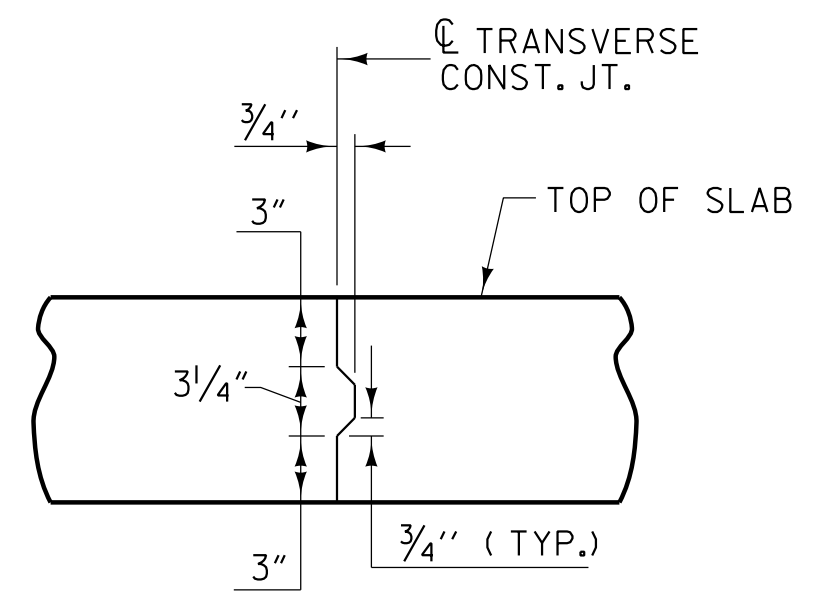


POURING SEQUENCE AND LAYOUT FOR COMPUTING AREA OF REINFORCED CONCRETE DECK SLAB

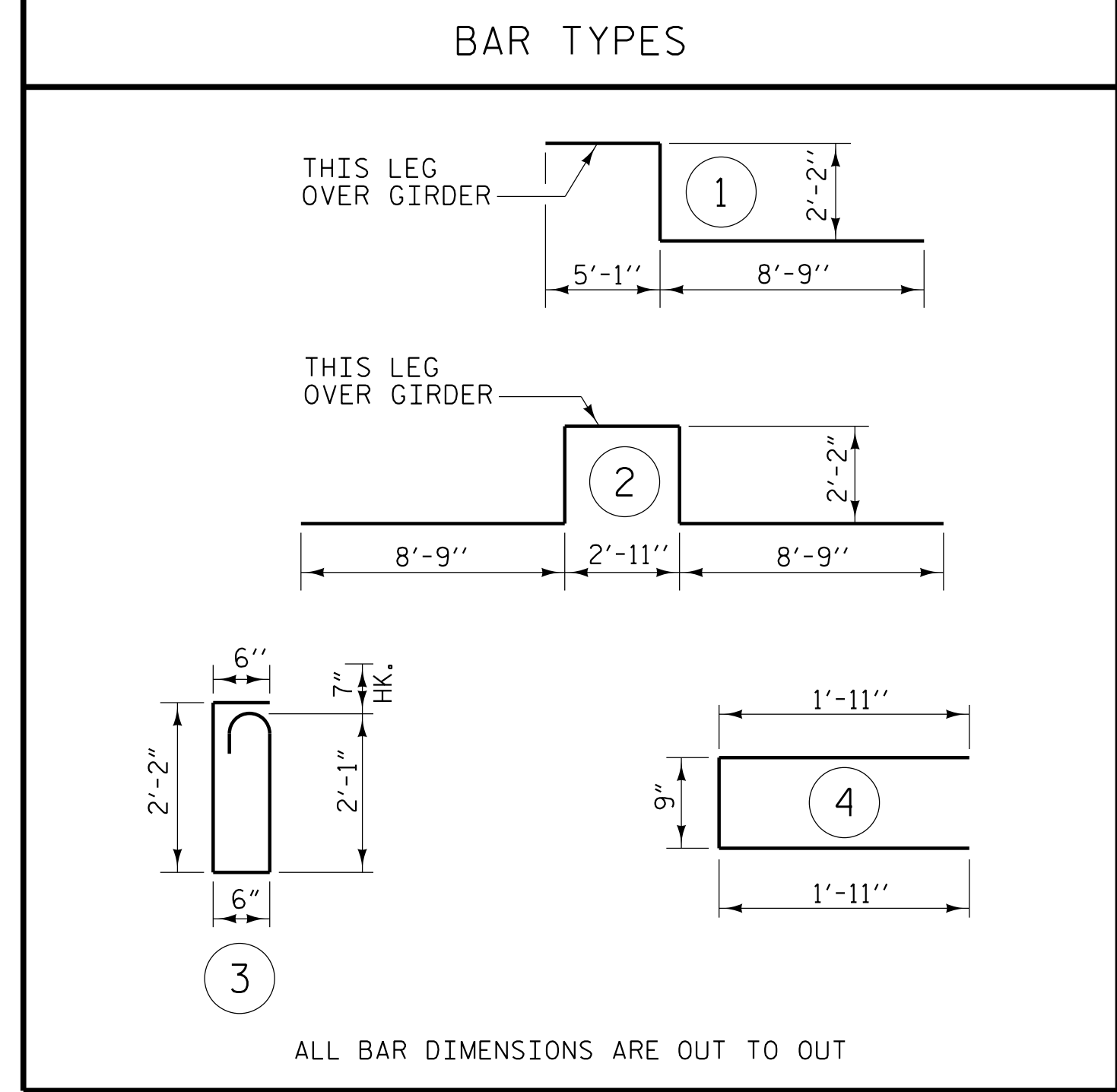
(SQ. FT. = 23,429)

NOTE: POUR #2 CANNOT BE STARTED UNTIL BOTH ADJACENT POURS REACH A MINIMUM OF 3000 PSI.



TRANSVERSE CONSTRUCTION JOINT DETAIL

NOTE: REINFORCING STEEL IN SLAB NOT SHOWN. LONGITUDINAL REINFORCING STEEL SHALL BE CONTINUOUS THRU JOINT



ALL BAR DIMENSIONS ARE OUT TO OUT

3/29/2022 4:24:43 PM G:\NProject\204\204065228\CLIENT\Structures\U2519BB_SNU_BM2_250452.dgn

DRAWN BY : M. D. METZGER DATE : 2/22
 CHECKED BY : L. K. AUSTIN DATE : 2/22
 DESIGN ENGINEER OF RECORD: L. K. AUSTIN DATE : 2/22

PLANS PREPARED BY:

NV5

NV5 ENGINEERS & CONSULTANTS, INC.
 3300 REGENCY PARKWAY, SUITE 100
 CARY, NC 27518
 P: 919.851.1912 www.NV5.com
 NC License # F-1333
 Formerly CAVI Engineers & Consultants

DOCUMENT NOT CONSIDERED FINAL UNLESS ALL SIGNATURES COMPLETED



PROJECT NO. U-2519BB
CUMBERLAND COUNTY
 STATION: 80+65.32 -Y17- POT

SHEET 2 OF 2

STATE OF NORTH CAROLINA
 DEPARTMENT OF TRANSPORTATION
 RALEIGH
 SUPERSTRUCTURE
 BILL OF MATERIAL

REVISIONS						SHEET NO.
NO.	BY:	DATE:	NO.	BY:	DATE:	S-27
1			3			TOTAL SHEETS
2			4			41