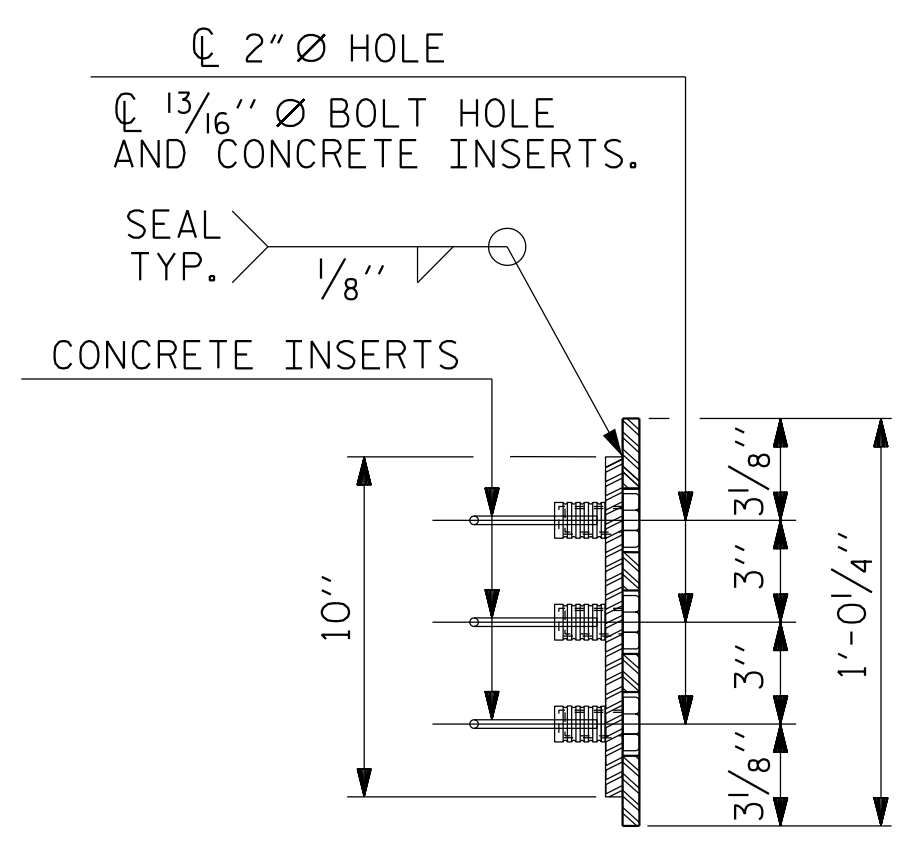
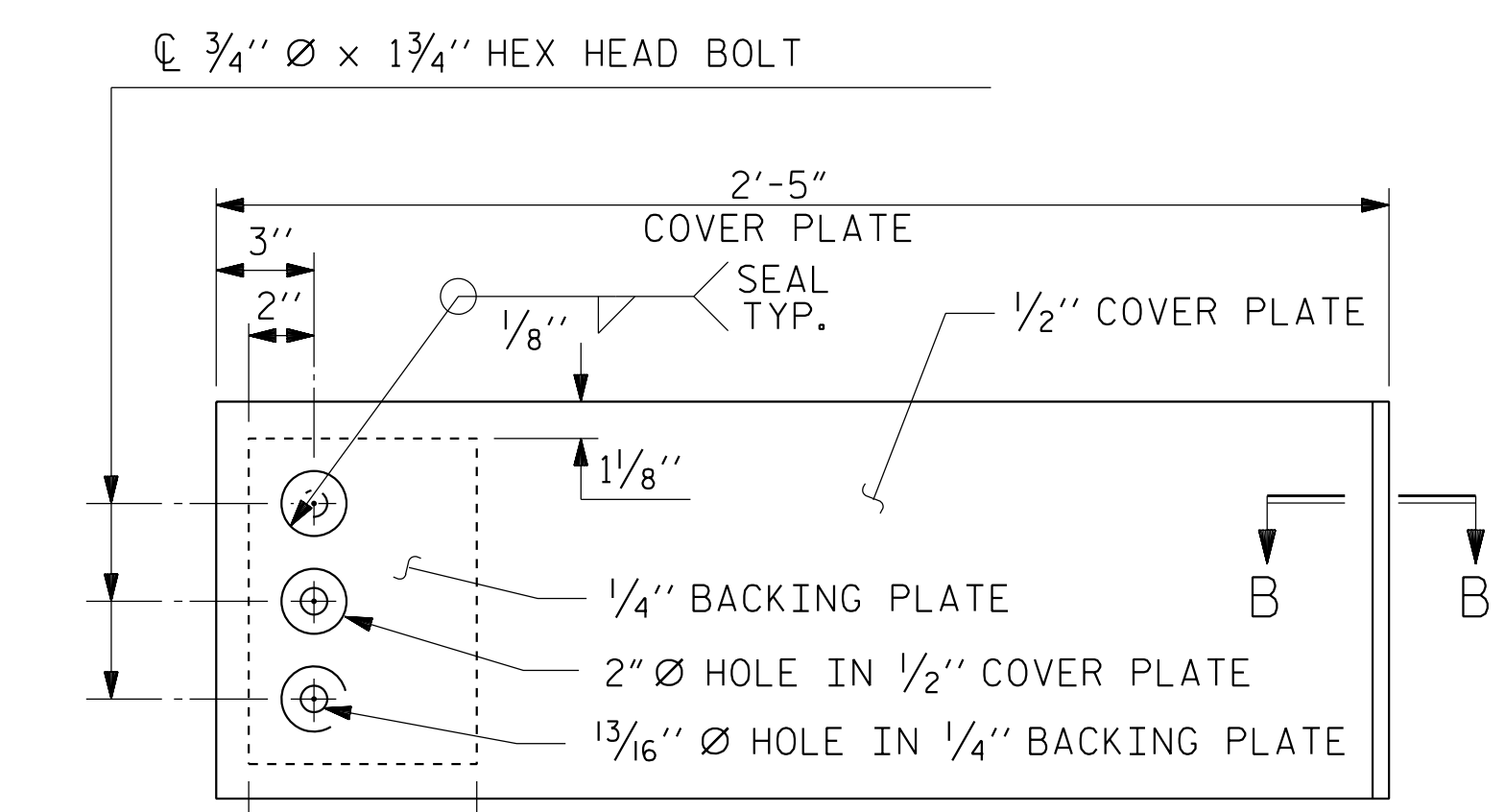


SECTION THRU RAIL NORMAL TO JOINT

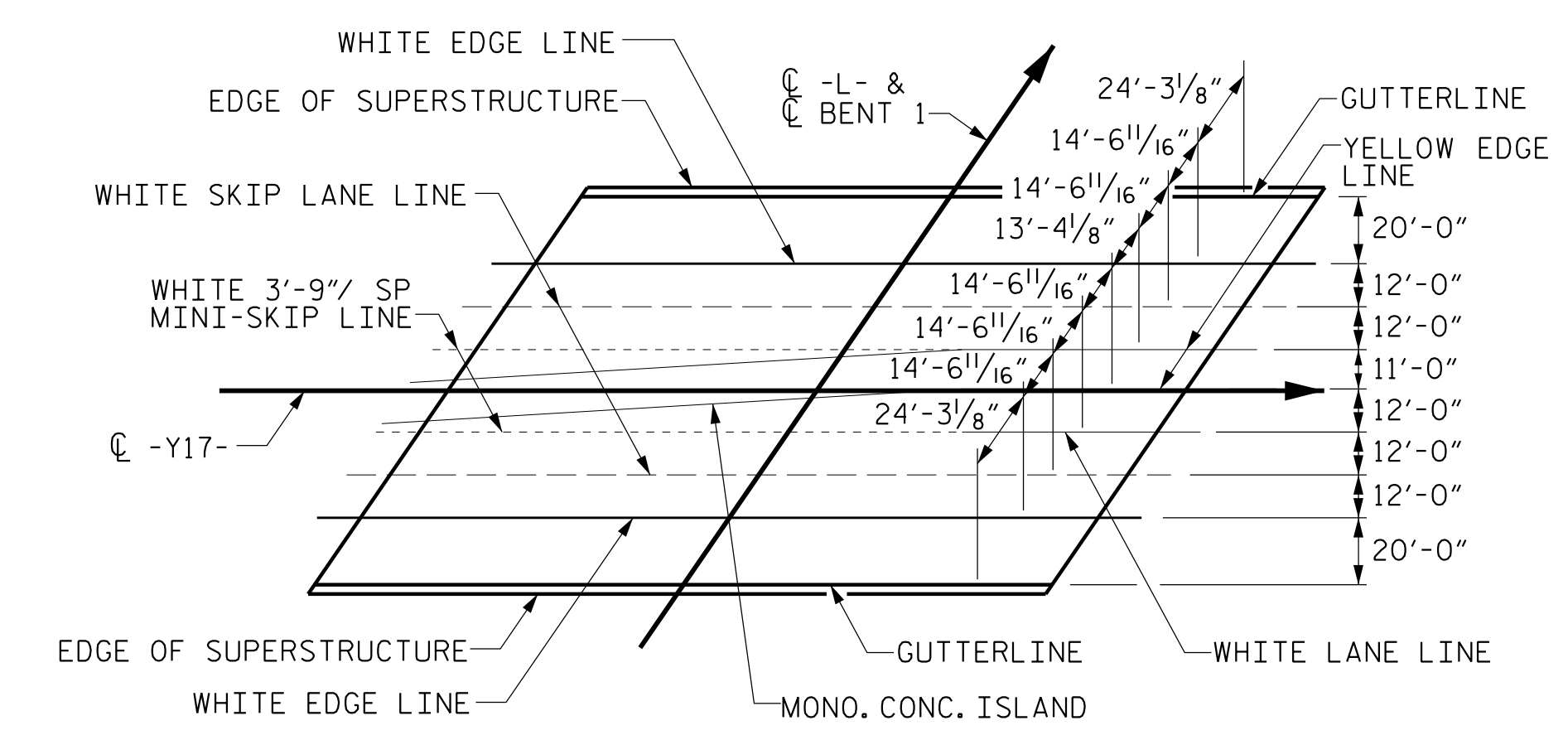


END VIEW

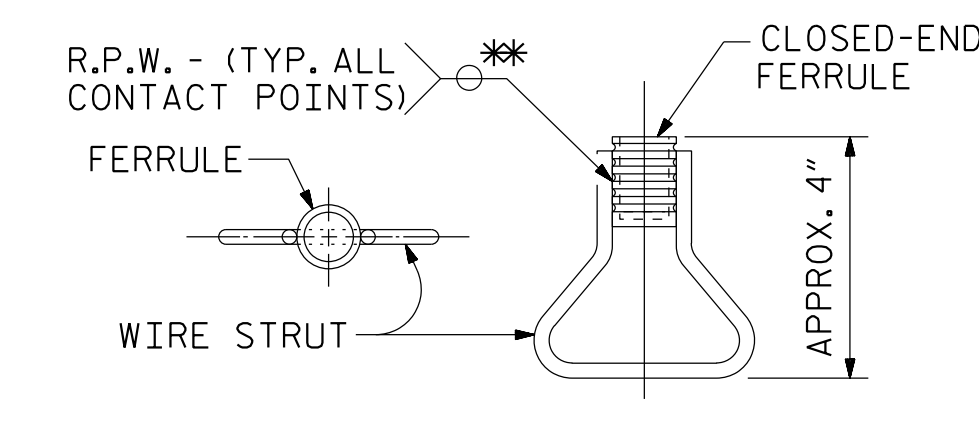


ELEVATION VIEW

COVER PLATE DETAILS



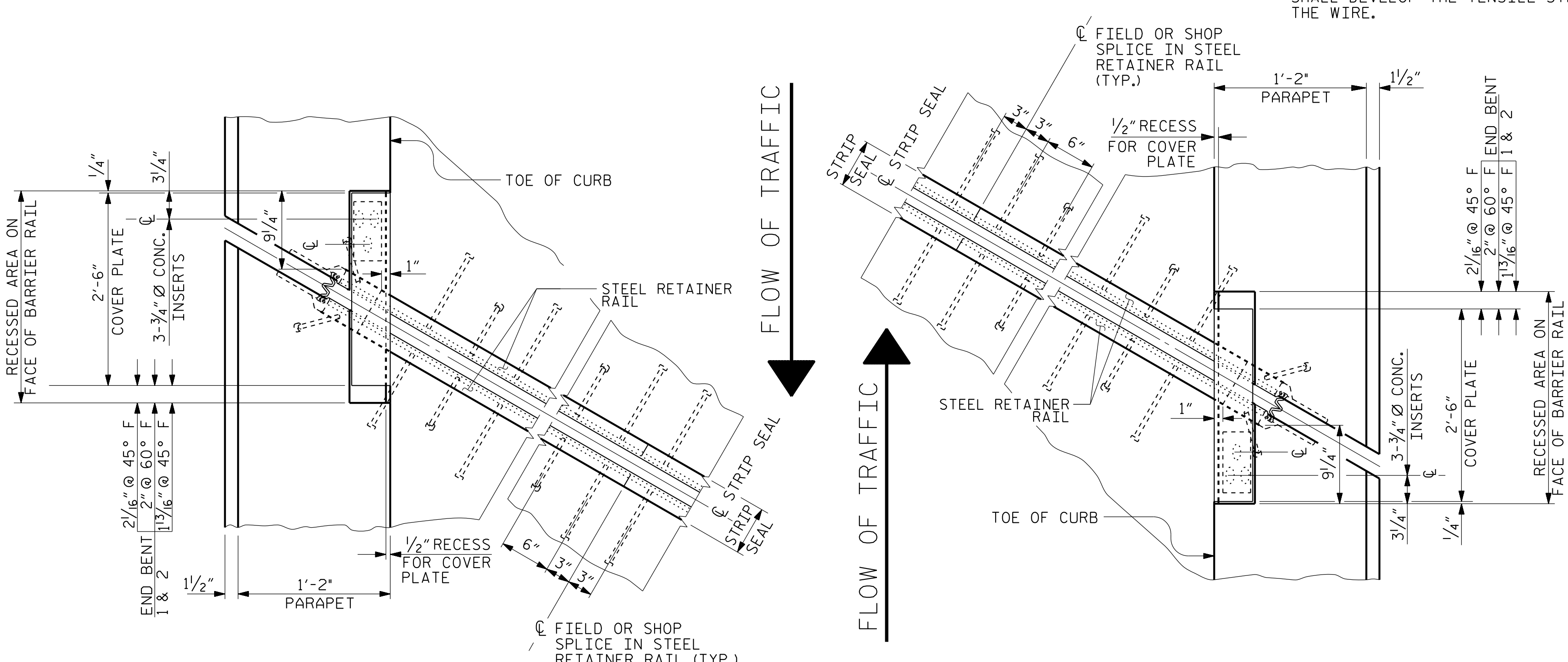
PAVEMENT MARKING ALIGNMENT



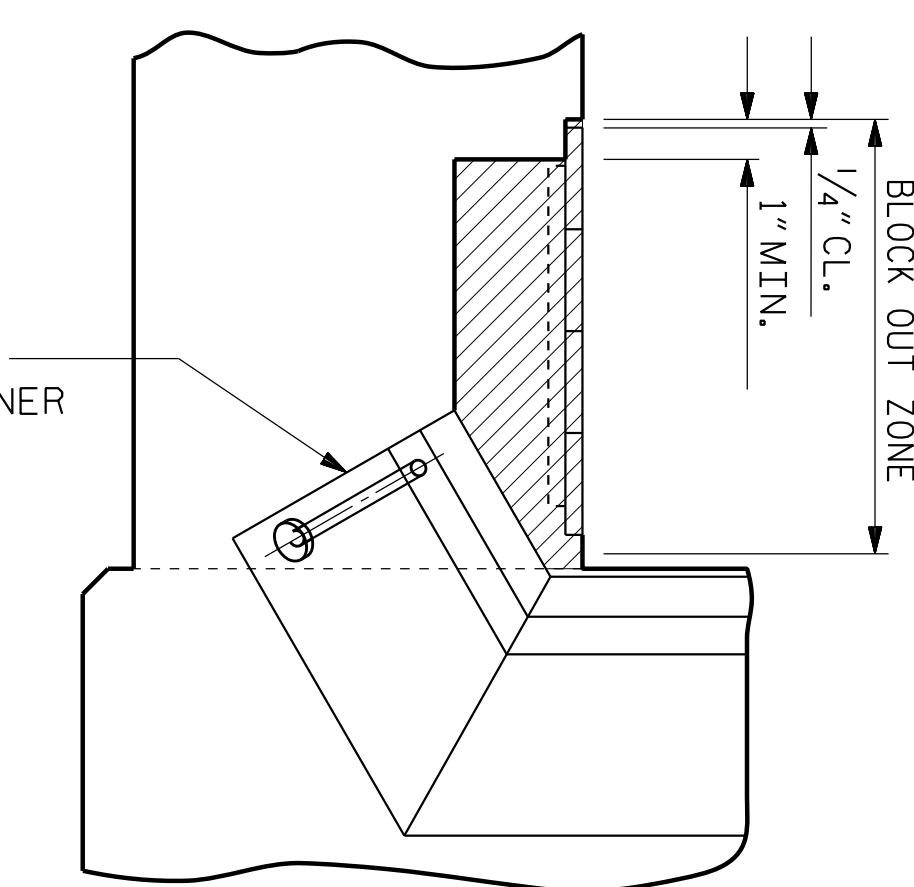
PLAN ELEVATION

CONCRETE INSERT

* EACH WELDED ATTACHMENT OF WIRE TO FERRULE SHALL DEVELOP THE TENSILE STRENGTH OF THE WIRE.



PLAN OF STRIP SEAL EXPANSION JOINT



BLOCK OUT DETAIL

SECTION B - B

PROJECT NO. U-2519BB
 CUMBERLAND COUNTY
 STATION: 80+65.32 -Y17- POT

STATE OF NORTH CAROLINA
 DEPARTMENT OF TRANSPORTATION
 RALEIGH
 STANDARD
STRIP SEAL EXPANSION JOINT DETAILS FOR BARRIER RAIL

REVISIONS						SHEET NO.
NO.	BY:	DATE:	NO.	BY:	DATE:	S-25
1			3			TOTAL SHEETS
2			4			41

PLANS PREPARED BY:

NV5

NV5 ENGINEERS & CONSULTANTS, INC.
 3300 REGENCY PARKWAY, SUITE 100
 CARY, NC 27518
 P: 919.851.1912 www.NV5.com
 NC License # F-1333
 Formerly CALIX Engineers & Consultants

THIS STANDARD DRAWING REVIEWED & ADOPTED FOR USE AT THE REFERENCED LOCATION BY THE UNDERSIGNED:

Kevin Austin
 NORTH CAROLINA PROFESSIONAL ENGINEER
 727637260
 L. KEVIN AUSTIN
 3/29/2022

DOCUMENT NOT CONSIDERED FINAL UNLESS ALL SIGNATURES COMPLETED

STD. NO. SSEJ2

3/29/2022 4:55:58 PM G:\Projects\2004\2040452\28\CLIENT\Structures\U2519BB\SWU_SSEJ2_250452.dgn

ASSEMBLED BY : M. D. METZGER DATE : 2/22
 CHECKED BY : L. K. AUSTIN DATE : 2/22
 DRAWN BY : MAA 6/20
 CHECKED BY : BNB 6/20