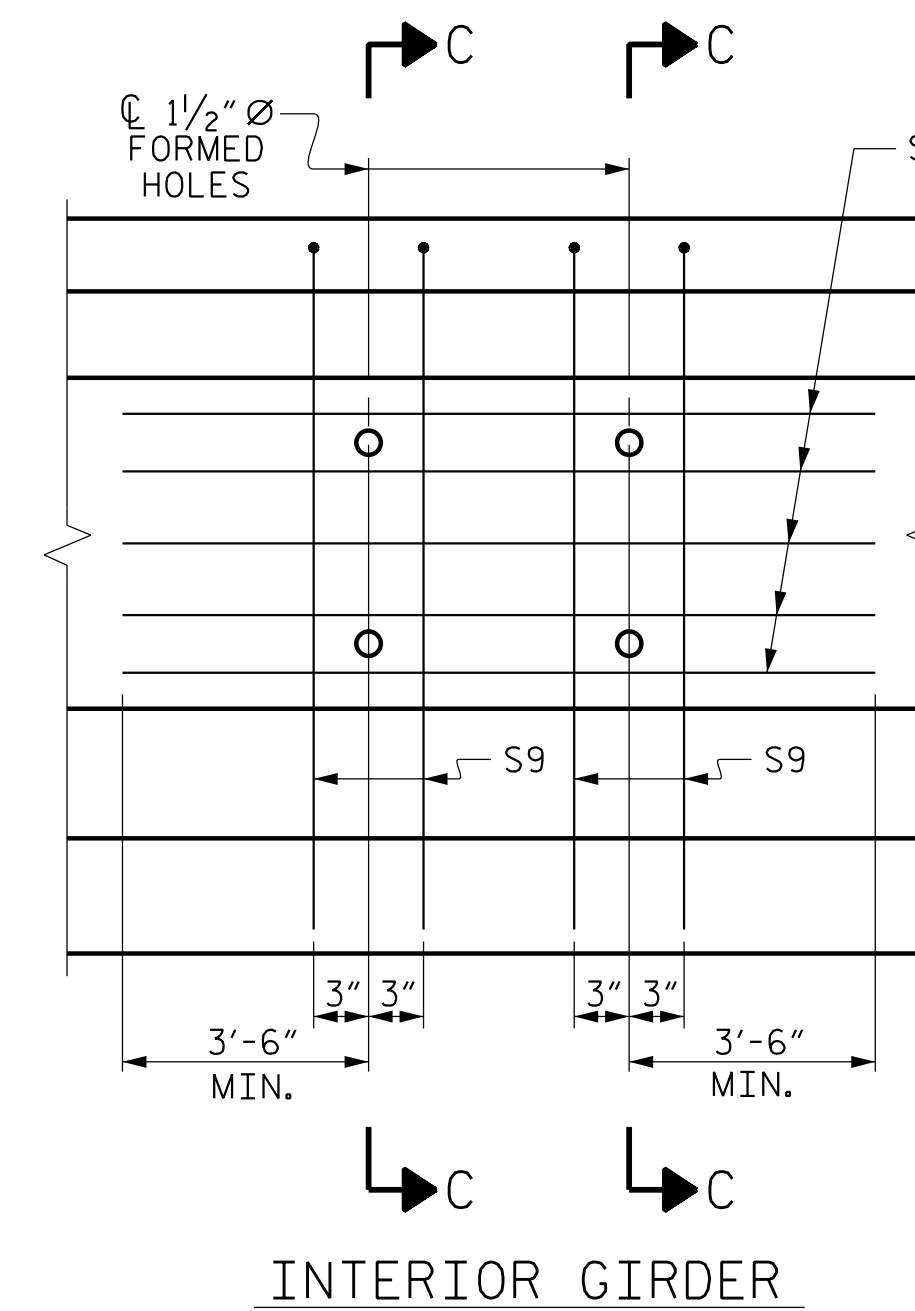
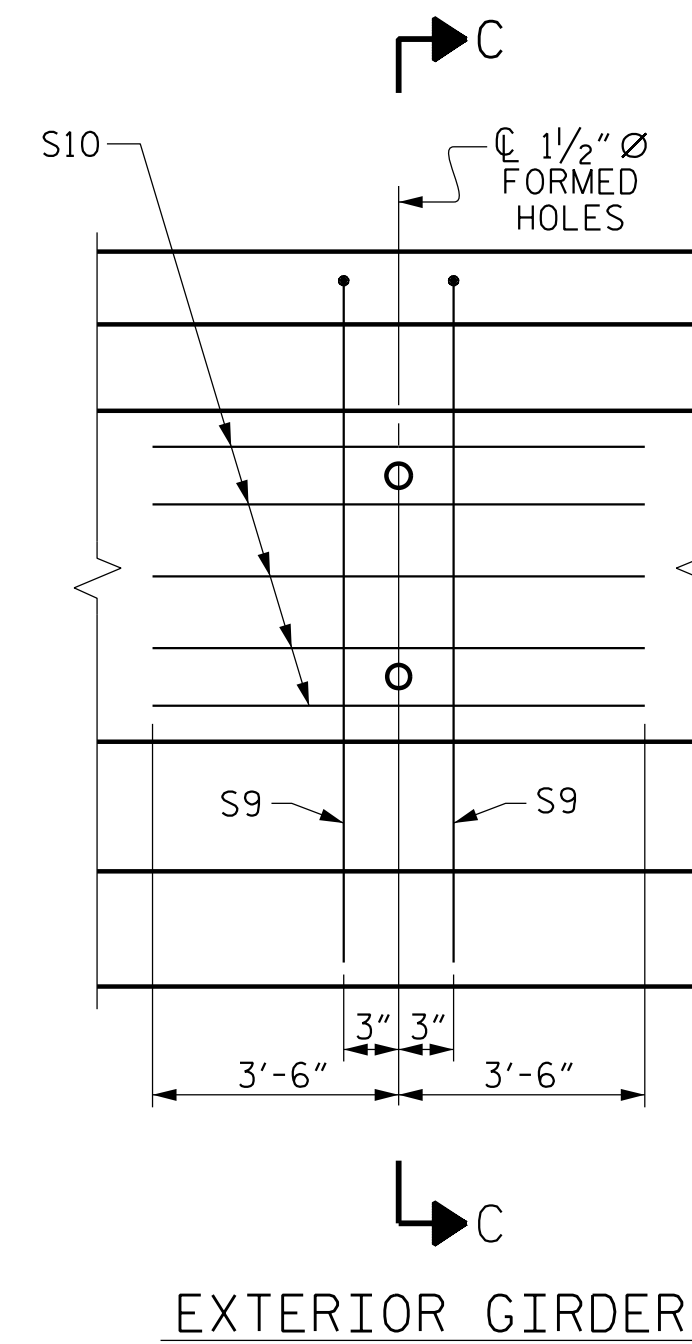
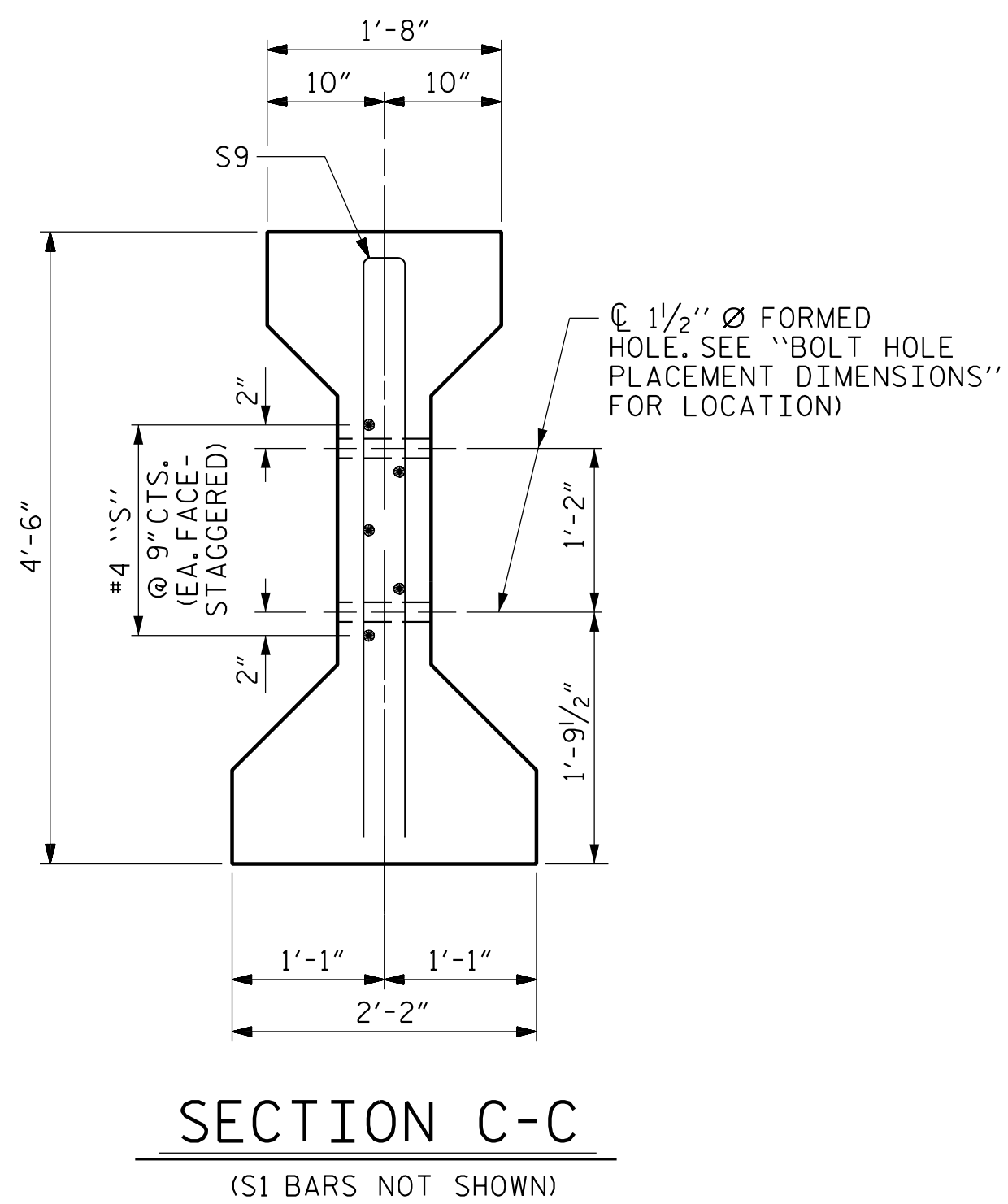
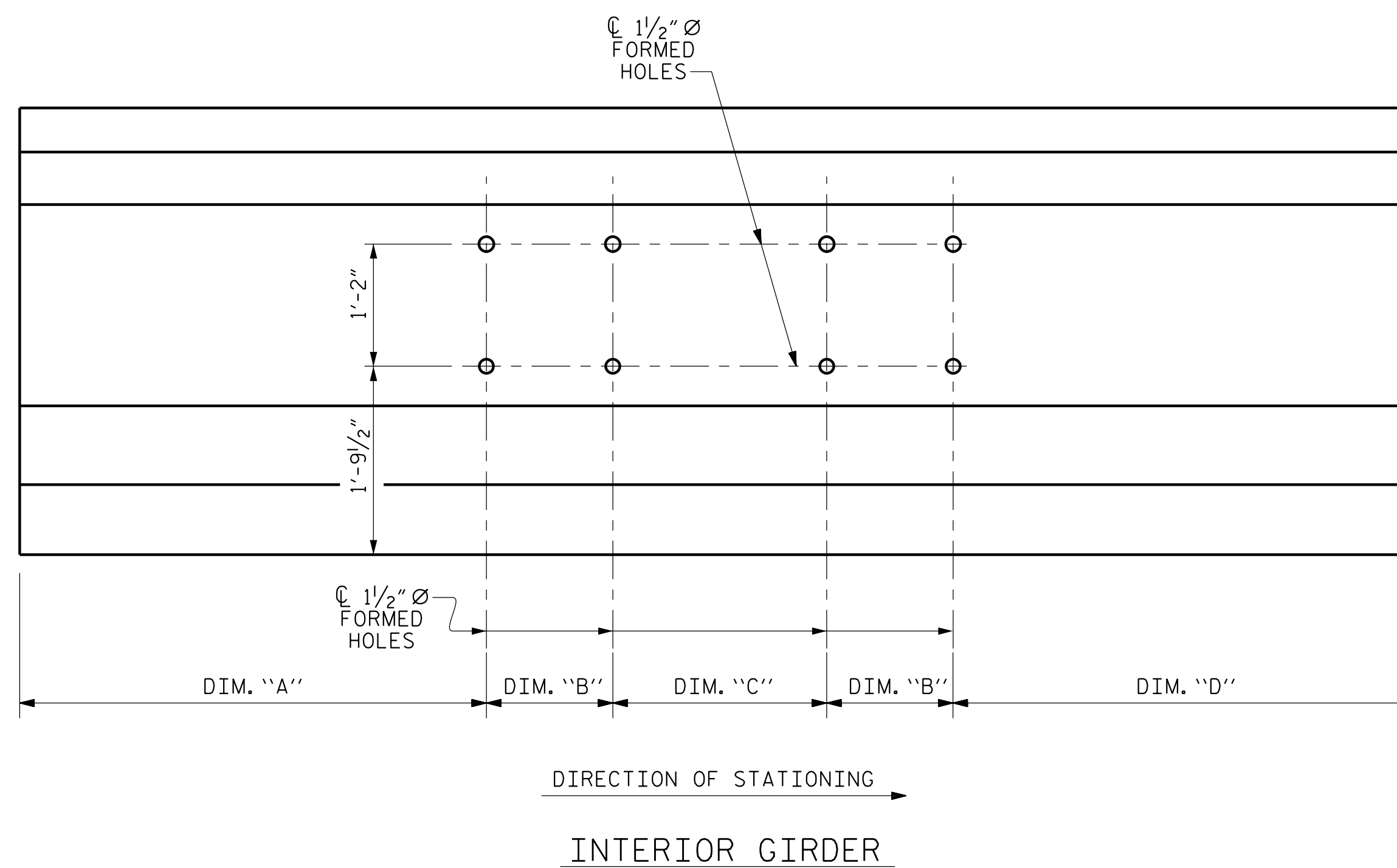
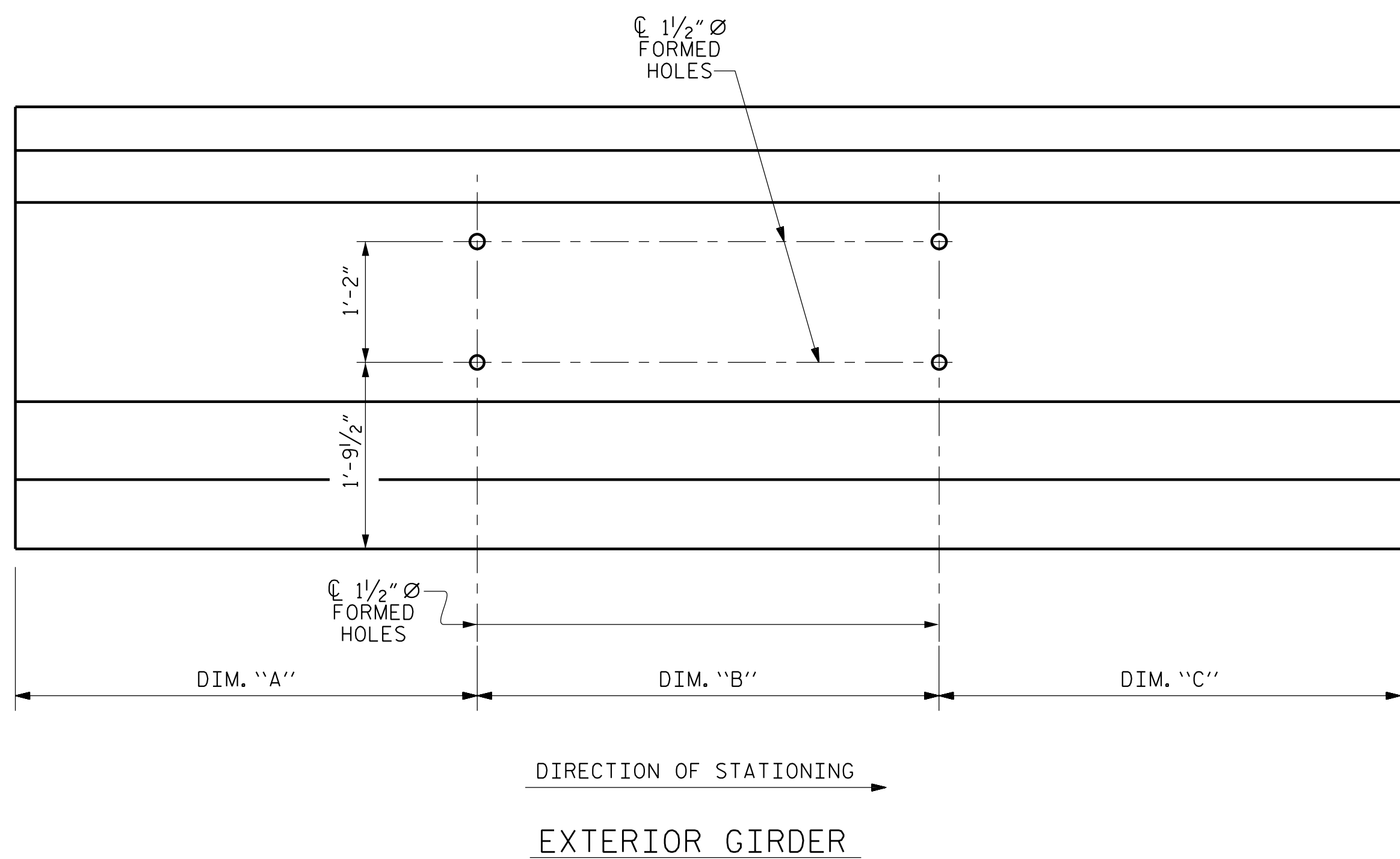


BOLT HOLE PLACEMENT DIMENSIONS				
GIRDER NO.	SPAN A & SPAN B			
	DIM. "A"	DIM. "B"	DIM. "C"	DIM. "D"
1	30'-5 1/2"	33'-5"	37'-9 1/2"	-
2 - 10	30'-5 1/2"	7'-4"	26'-1"	30'-5 1/2"
11	37'-9 1/2"	33'-5"	30'-5 1/2"	-



PARTIAL ELEVATION
SHOWING INTERMEDIATE DIAPHRAGM REINFORCING STEEL FOR GIRDER



BOLT HOLE PLACEMENT

PROJECT NO. U-2519BB
CUMBERLAND COUNTY
STATION: 80+65.32 -Y17- POT

SHEET 2 OF 3

STATE OF NORTH CAROLINA
DEPARTMENT OF TRANSPORTATION
RALEIGH

PRESTRESSED CONCRETE GIRDER DETAILS

REVISIONS						SHEET NO.
NO.	BY:	DATE:	NO.	BY:	DATE:	S-14
1			3			TOTAL SHEETS
2			4			41

PLANS PREPARED BY:

NV5

NV5 ENGINEERS & CONSULTANTS, INC.
3300 REGENCY PARKWAY, SUITE 100
CARY, NC 27518
P: 919.851.1912 www.NV5.com
NC License # F-1333
Formerly CAVI Engineers & Consultants

Professional Engineer Seal for L. Kevin Austin, State of North Carolina, License No. 22878, Exp. 12/31/2022.

DOCUMENT NOT CONSIDERED FINAL UNLESS ALL SIGNATURES COMPLETED

DRAWN BY: M. D. METZGER DATE: 2/22
CHECKED BY: L. K. AUSTIN DATE: 2/22
DESIGN ENGINEER OF RECORD: L. K. AUSTIN DATE: 2/22

3/27/2022 5:55:59 PM G:\NProject\204\204065228\CLIENT\Structures\U2519BB_S14_250452.dgn