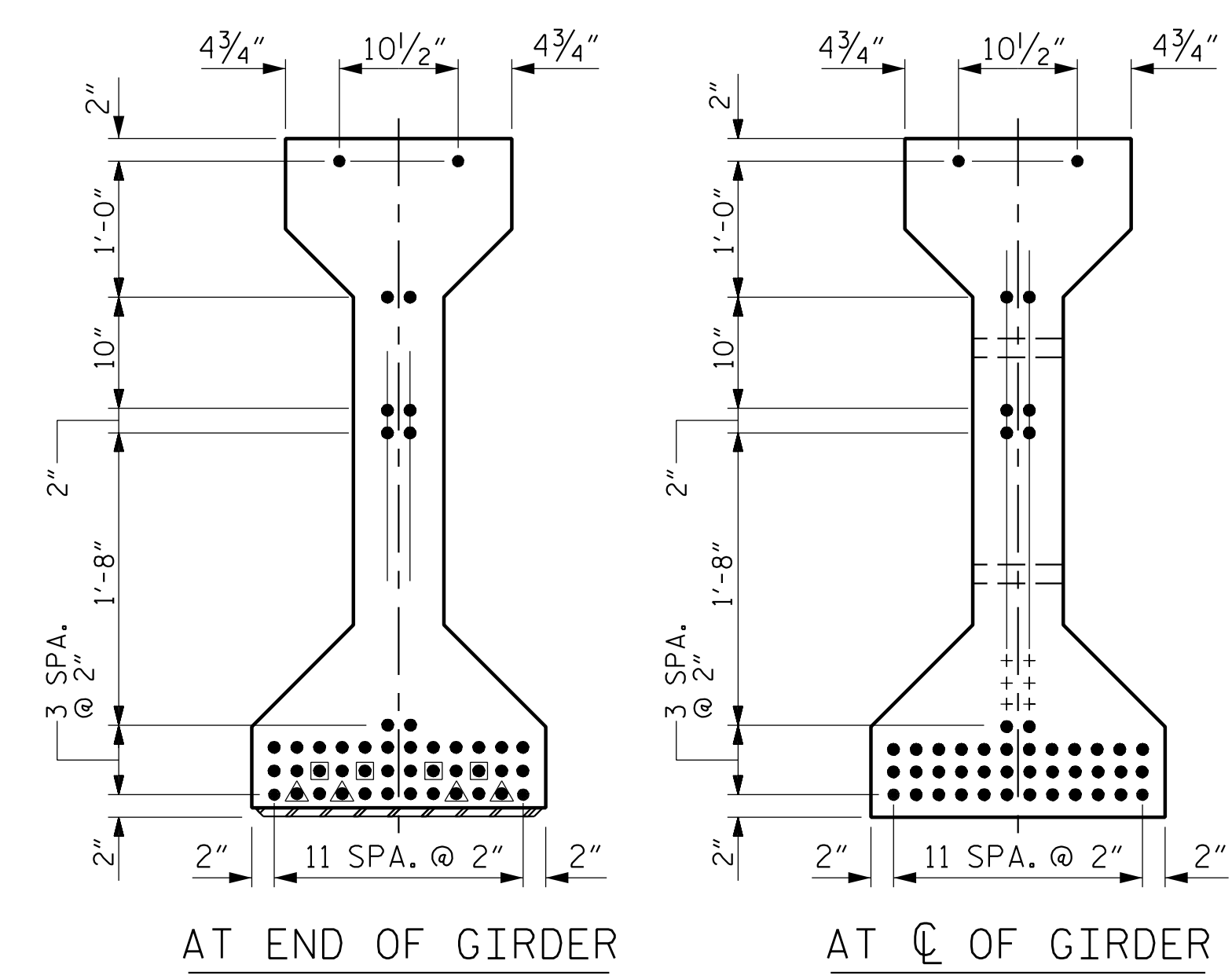


DEBONDING LEGEND

- FULLY BONDED STRANDS
- STRANDS DEBONDED FOR 8'-0" FROM END OF GIRDER
- STRANDS DEBONDED FOR 20'-0" FROM END OF GIRDER

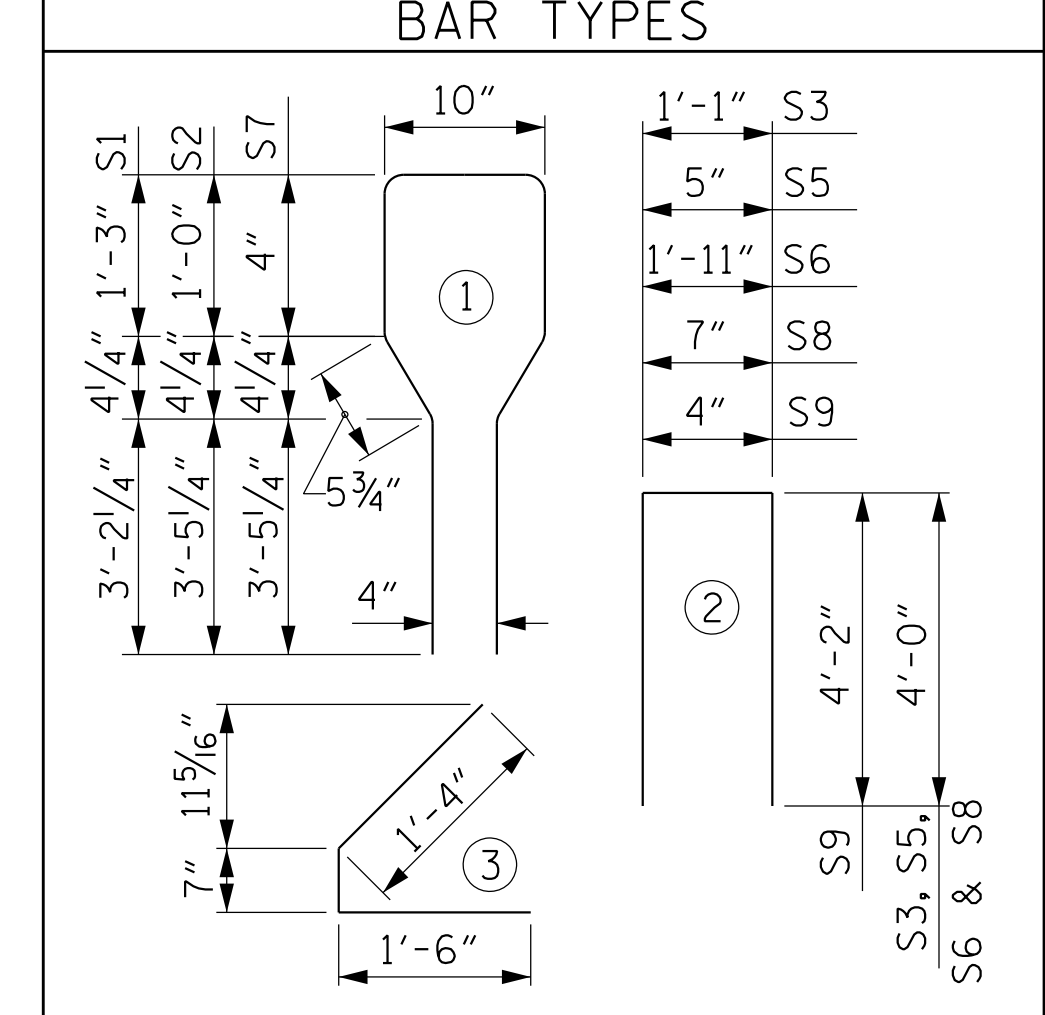


0.6" Ø LOW RELAXATION STRAND LAYOUT

EXTERIOR GDR.	S9	4	#5	2	8'-8"	36
INTERIOR GDR.	S9	8	#5	2	8'-8"	72
EXTERIOR GDR.	S10	10	#4	STR	7'-0"	48
INTERIOR GDR.	S11	10	#4	STR	14'-4"	96

0.6" Ø L.R. GRADE 270 STRANDS		
AREA (SQ. INCHES)	ULTIMATE STRENGTH (LBS. PER STRAND)	APPLIED PRESTRESS (LBS. PER STRAND)
0.217	58,600	43,950

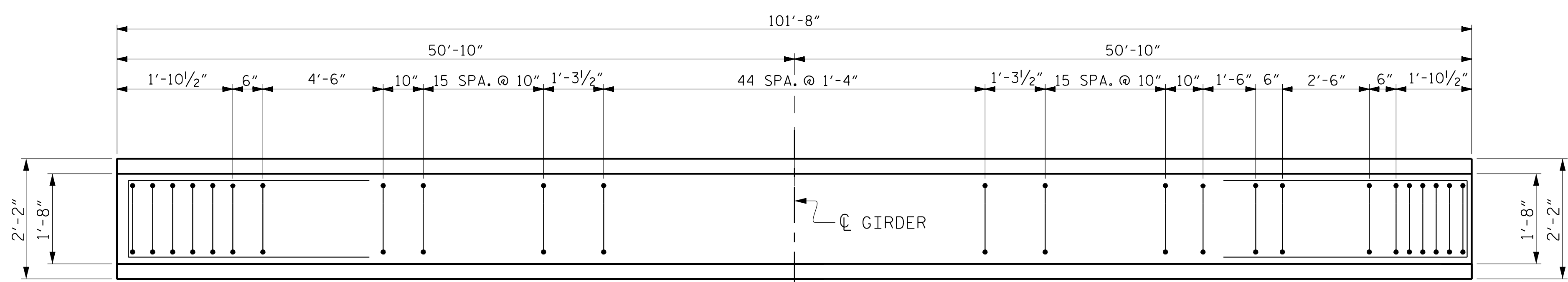
REINFORCING STEEL FOR ONE GIRDER						
BAR	NUMBER	SIZE	TYPE	LENGTH	WEIGHT	
S1	91	#4	1	10'-8"	648	
S2	6	#6	1	10'-8"	96	
S3	4	#4	2	9'-1"	24	
S4	64	#4	3	3'-5"	146	
S5	6	#4	2	8'-5"	34	
S6	2	#4	2	9'-11"	13	
S7	12	#6	1	9'-4"	168	
S8	4	#4	2	8'-7"	23	
EXTERIOR GDR.	S9	4	#5	2	8'-8"	36
INTERIOR GDR.	S9	8	#5	2	8'-8"	72
EXTERIOR GDR.	S10	10	#4	STR	7'-0"	48
INTERIOR GDR.	S11	10	#4	STR	14'-4"	96



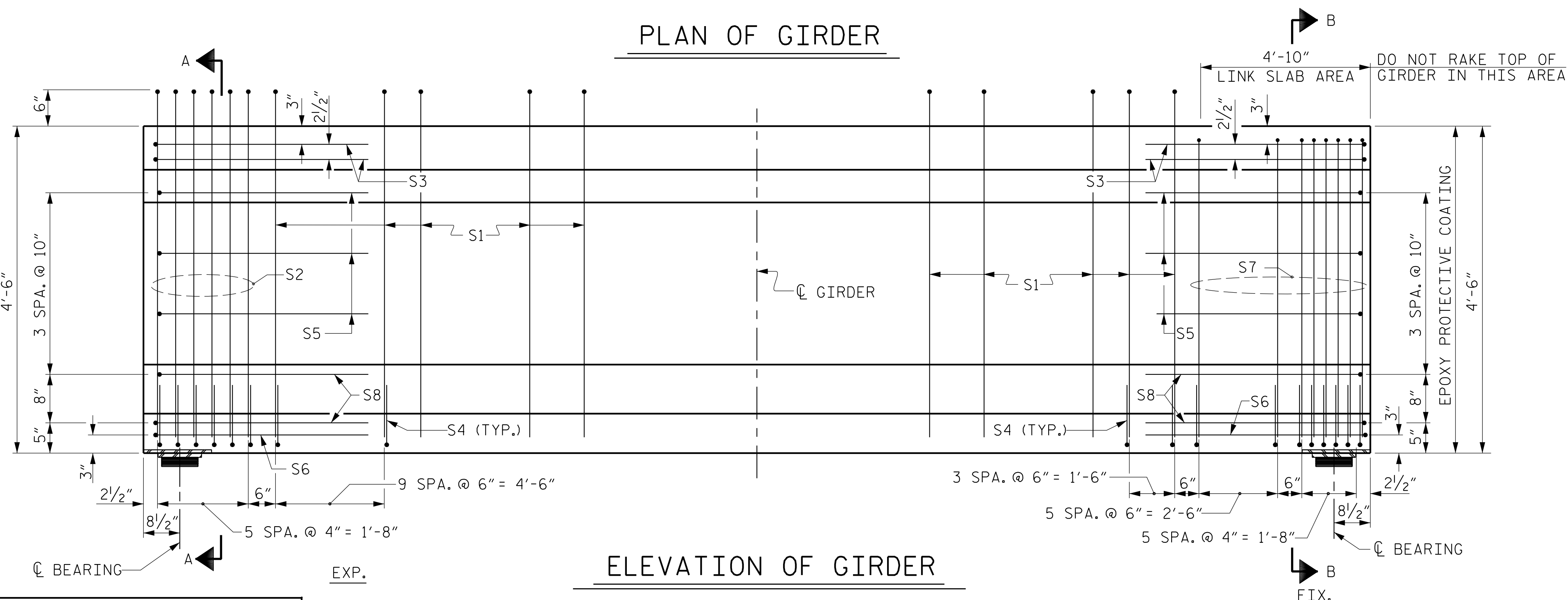
ALL BAR DIMENSIONS ARE OUT-TO-OUT

QUANTITIES FOR ONE GIRDER			
	REINFORCING STEEL LB.	9500 PSI CONCRETE C.Y.	0.6" Ø L.R. STRANDS No.
EXTERIOR GDR.	1236	20.6	46
INTERIOR GDR.	1320	20.6	46

GIRDERS REQUIRED		
NUMBER	LENGTH	TOTAL LENGTH
22	101'-8"	2236'-8"



PLAN OF GIRDER



ELEVATION OF GIRDER

PLANS PREPARED BY:

NIV5

NVS ENGINEERS & CONSULTANTS, INC.
3300 REGENCY PARKWAY, SUITE 100
CARY, NC 27518
P: 919.851.1912 www.NV5.com
NC License # F-1333

THIS STANDARD DRAWING REVIEWED & ADOPTED FOR USE AT THE REFERENCED LOCATION BY THE UNDERSIGNED:

Kevin Austin

NORTH CAROLINA PROFESSIONAL ENGINEER
L. KEVIN AUSTIN
727187206000051
3/29/2022

PROJECT NO. U-2519BB
CUMBERLAND COUNTY
 STATION: 80+65.32 -Y17- POT

SHEET 1 OF 3

STATE OF NORTH CAROLINA
 DEPARTMENT OF TRANSPORTATION
 RALEIGH

STANDARD
**AASHTO TYPE IV
 PRESTRESSED CONCRETE
 GIRDER - LINK SLAB
 (SPANS A AND B)**

ASSEMBLED BY : M. D. METZGER	DATE : 2/22
CHECKED BY : L. K. AUSTIN	DATE : 2/22
DRAWN BY : BNB 09/21	
CHECKED BY : AAI 09/21	

**DOCUMENT NOT CONSIDERED FINAL
 UNLESS ALL SIGNATURES COMPLETED**

REVISIONS						SHEET NO.
NO.	BY:	DATE:	NO.	BY:	DATE:	S-13
1			3			TOTAL SHEETS 41
2			4			