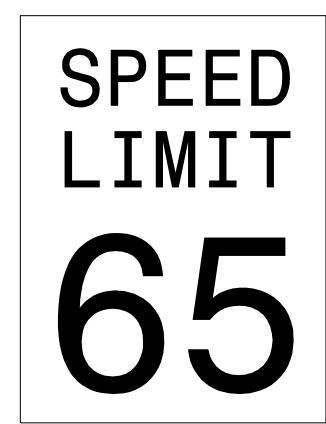


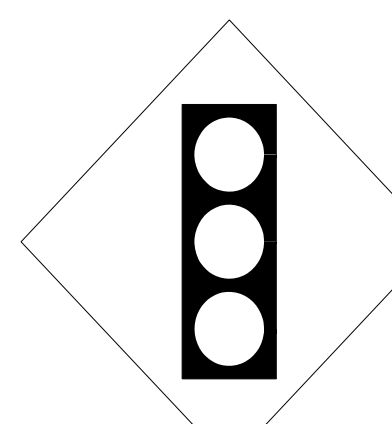
401 QUANTITY REQ'D 2



R2-1
48" X 60"

TWO "U" POSTS PER SIGN


406 QUANTITY REQ'D 3



W3-3
36" X 36"

ONE INSTALLATION ON BRIDGE/BARRIER
ONE "U" POST PER SIGN

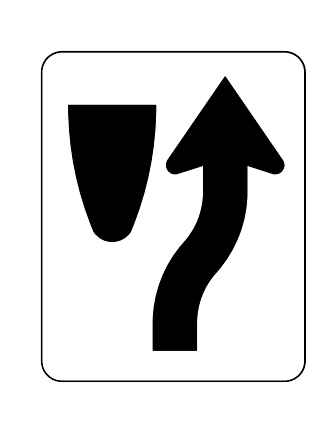
411 QUANTITY REQ'D 5



W14-2
36" X 36"

ONE "U" POST PER SIGN

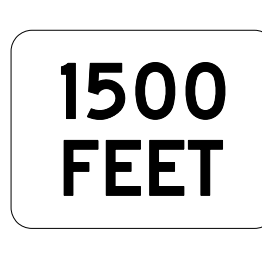
416 QUANTITY REQ'D 5



R4-7
24" X 30"

ONE "U" POST PER SIGN

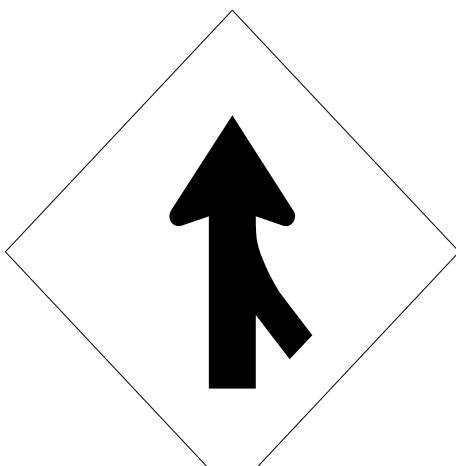
421 QUANTITY REQ'D 1



W16-2P
24" X 18"

MOUNT BELOW 413
IN 1 INSTALLATION


402 QUANTITY REQ'D 1



W4-1 (R)
48" X 48"

TWO "U" POSTS PER SIGN


407 QUANTITY REQ'D 2



R6-1 (L)
54" X 18"

MOUNT BACK TO BACK
WITH SIGN 405

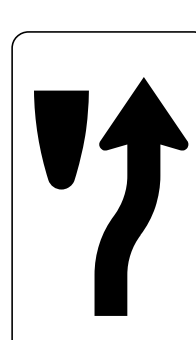
412 QUANTITY REQ'D 2



R2-1
24" X 30"

ONE "U" POST PER SIGN

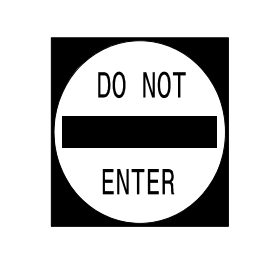
417 QUANTITY REQ'D 1



R4-7c
18" X 30"

ONE "U" POST PER SIGN

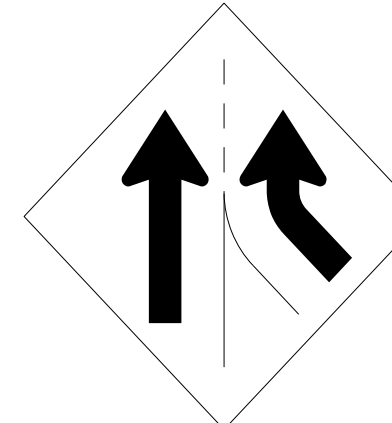
403 QUANTITY REQ'D 8



R5-1
36" X 36"

ONE "U" POST PER SIGN

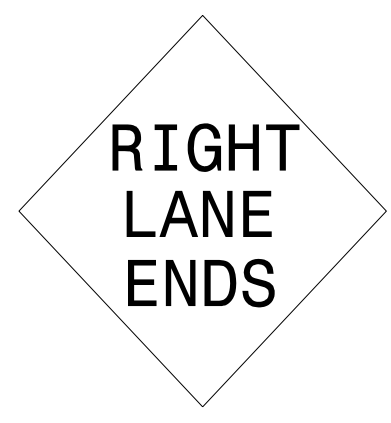
408 QUANTITY REQ'D 2



W4-3(R)
48" X 48"

TWO "U" POSTS PER SIGN

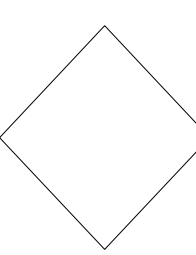
413 QUANTITY REQ'D 3



W9-2(R)
36" X 36"

ONE INSTALLATION ON BRIDGE/BARRIER
ONE "U" POST PER SIGN

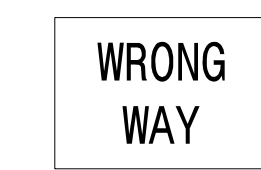
418 QUANTITY REQ'D 2



OM1-3
18" X 18"

MOUNT BELOW 416 AND 417
IN 2 INSTALLATIONS

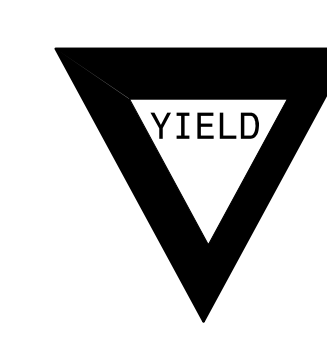
404 QUANTITY REQ'D 6



R5-1a
36" X 24"

ONE "U" POST PER SIGN

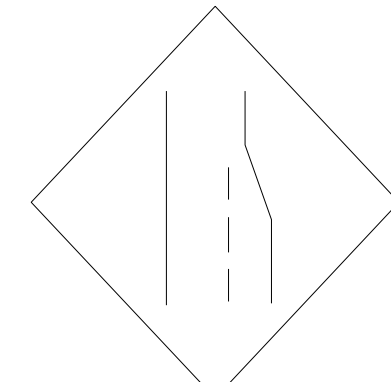
409 QUANTITY REQ'D 1



R1-2
36" X 36" X 36"

ONE "U" POST PER SIGN

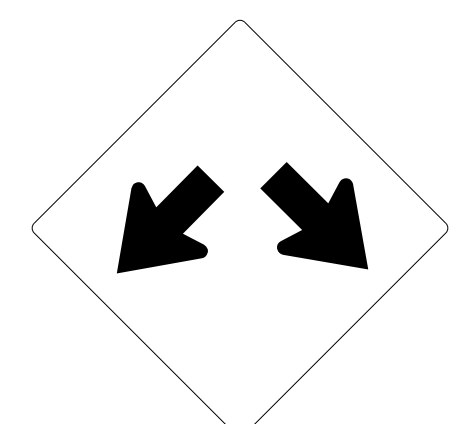
414 QUANTITY REQ'D 4



W4-2(R)
36" X 36"

TWO INSTALLATIONS ON BRIDGE/BARRIER
ONE "U" POST PER SIGN


419 QUANTITY REQ'D 1



W12-1
36" X 36"

ONE "U" POST PER SIGN

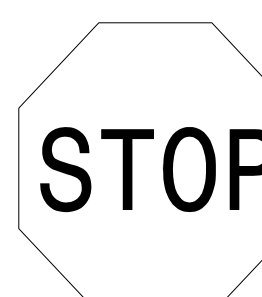
405 QUANTITY REQ'D 2



R6-1 (R)
54" X 18"

TWO "U" POSTS PER SIGN

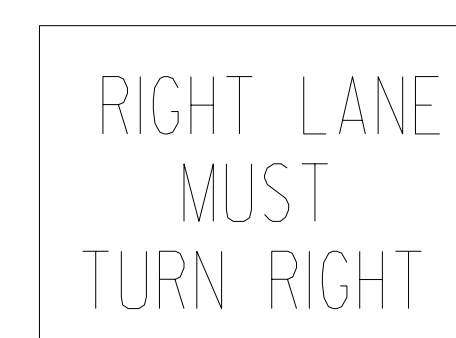
410 QUANTITY REQ'D 4



R1-1
36" X 36"

ONE "U" POST PER SIGN

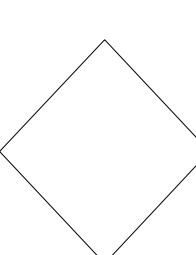
415 QUANTITY REQ'D 2



R3-7
36" X 24"

ONE "U" POST PER SIGN

420 QUANTITY REQ'D 6



OM4-3
18" X 18"

ONE "U" POST PER SIGN

**SIGNING PLANS
TYPE "E" SIGNS**

02/03/22
 P:\IP\Projects-U\U2519BB\Traffic\Signing\CADD\Signing Layout Plans\Roadway Revision\U-2519bb_Sgn-Title Quantity Sheets.dgn
 User:meaton