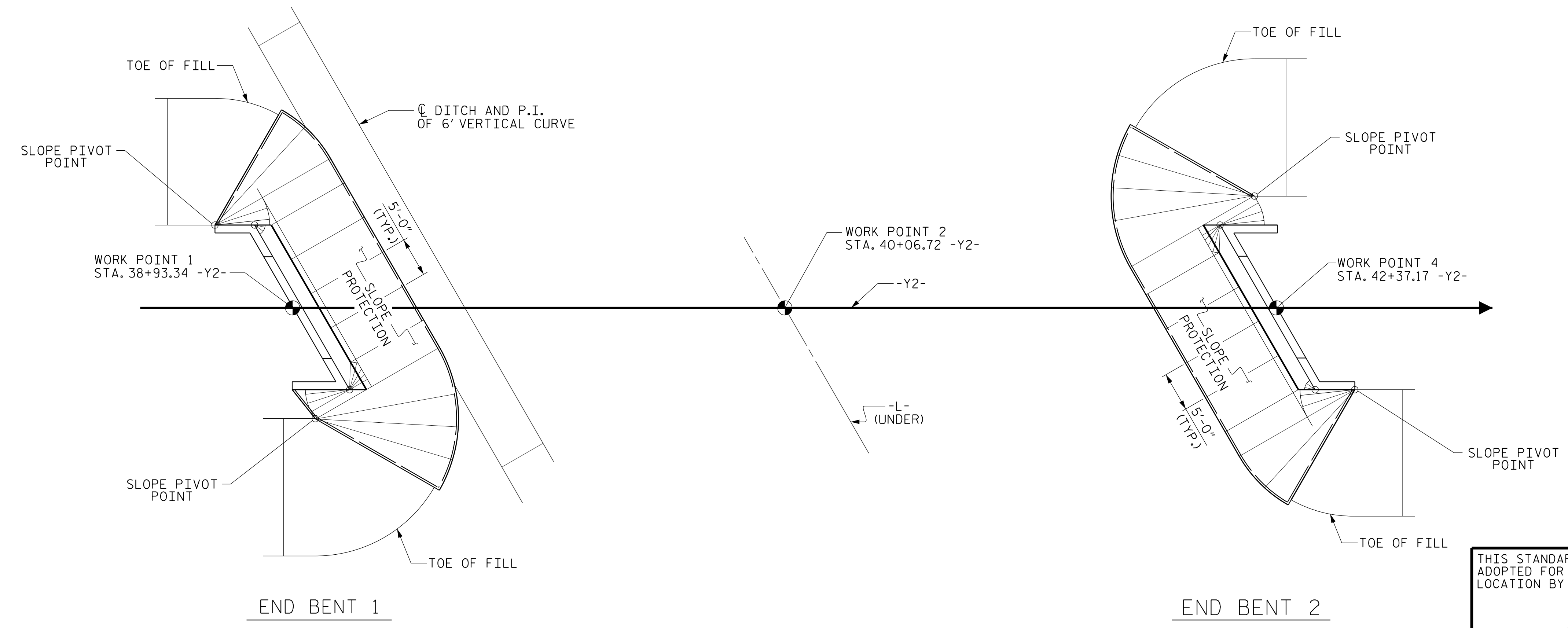


PLAN - GRADING



PLAN - CONCRETE PLACEMENT

(1 1/2 : 1 SLOPE)

PLANS PREPARED BY:

NV5 ENGINEERS & CONSULTANTS, INC.  
3300 REGENCY PARKWAY, SUITE 100  
CARY, NC 27518  
P: 919.851.1912 www.nv5.com  
NC License # 81333  
Formerly CALIX Engineers & Consultants

PROJECT NO. R-5819  
COLUMBUS COUNTY  
 STATION: 40+06.72 -Y2- POT

SHEET 2 OF 2

STATE OF NORTH CAROLINA  
 DEPARTMENT OF TRANSPORTATION  
 RALEIGH

STANDARD  
 SLOPE PROTECTION  
 DETAILS

THIS STANDARD DRAWING REVIEWED & ADOPTED FOR USE AT THE REFERENCED LOCATION BY THE UNDERSIGNED:



4/12/2022

ASSEMBLED BY : W. B. ALLEN	DATE : 8/21
CHECKED BY : M. D. METZGER	DATE : 1/22
DRAWN BY : WJH 10/88	REV. 10/1/11 MAA/GM
CHECKED BY : FCJ 10/88	REV. 1/16 MAA/TMG
	REV. 12/17 MAA/THG

**DOCUMENT NOT CONSIDERED FINAL  
 UNLESS ALL SIGNATURES COMPLETED**

REVISIONS						SHEET NO.
NO.	BY:	DATE:	NO.	BY:	DATE:	TOTAL SHEETS
1			3			38
2			4			38