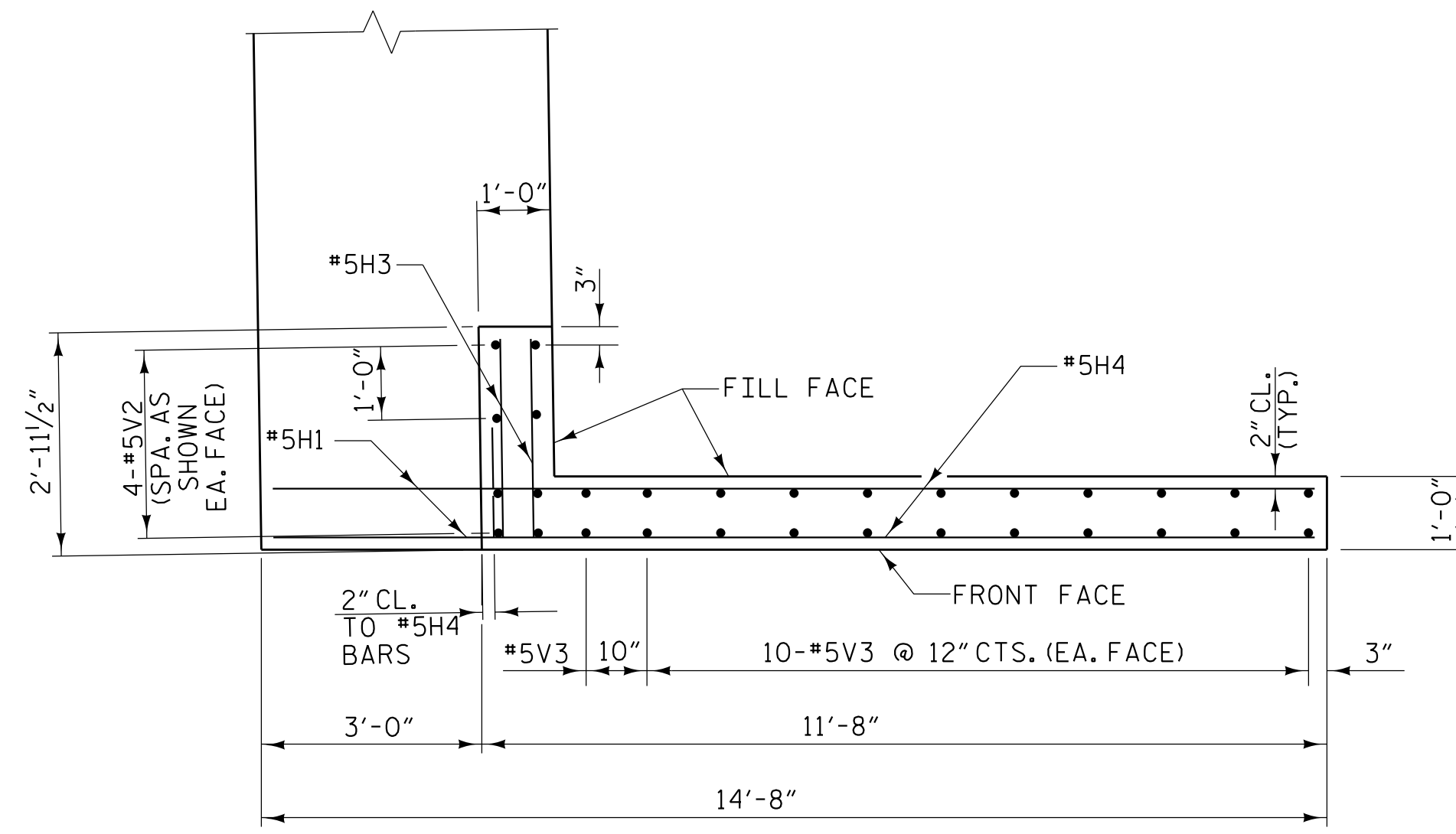
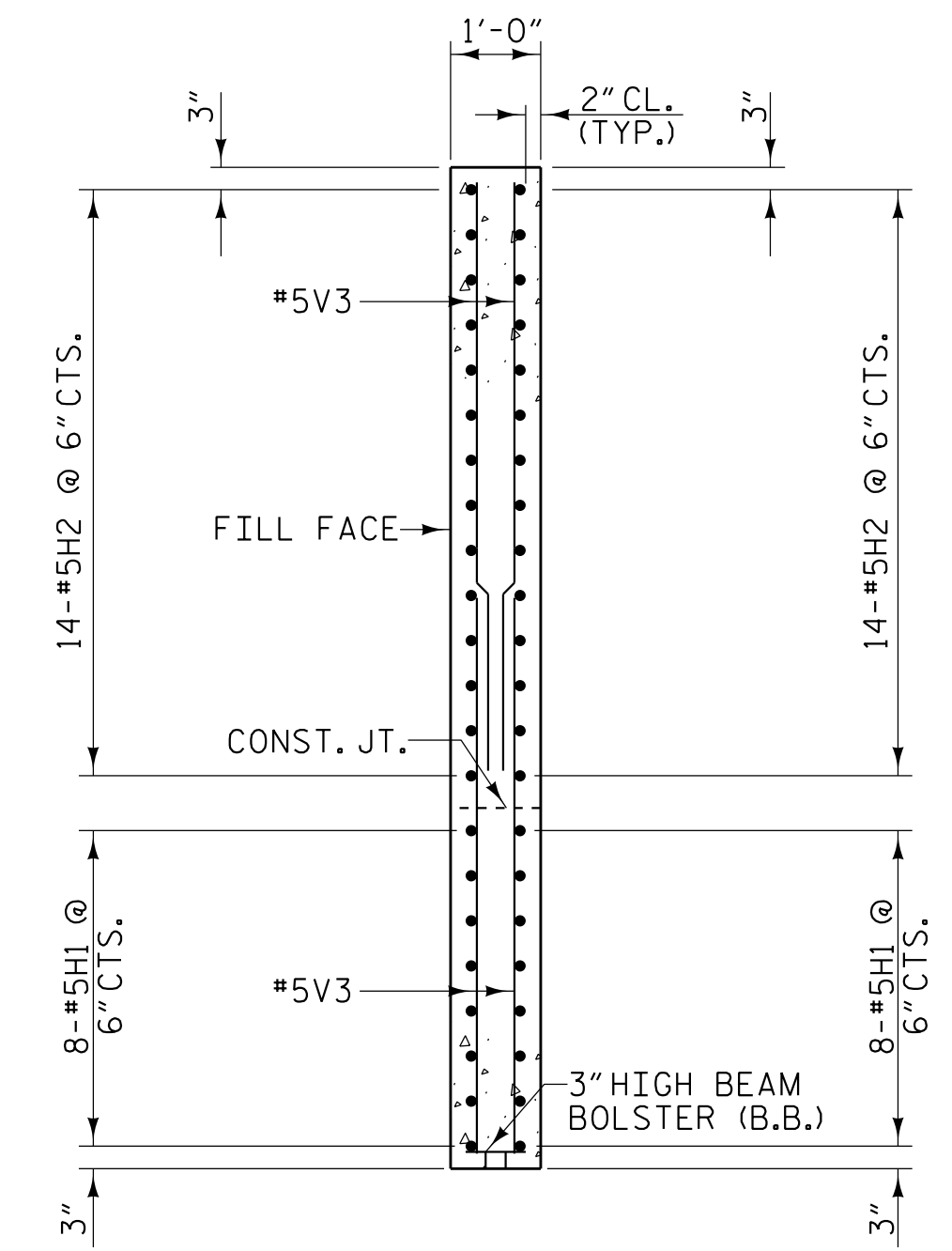


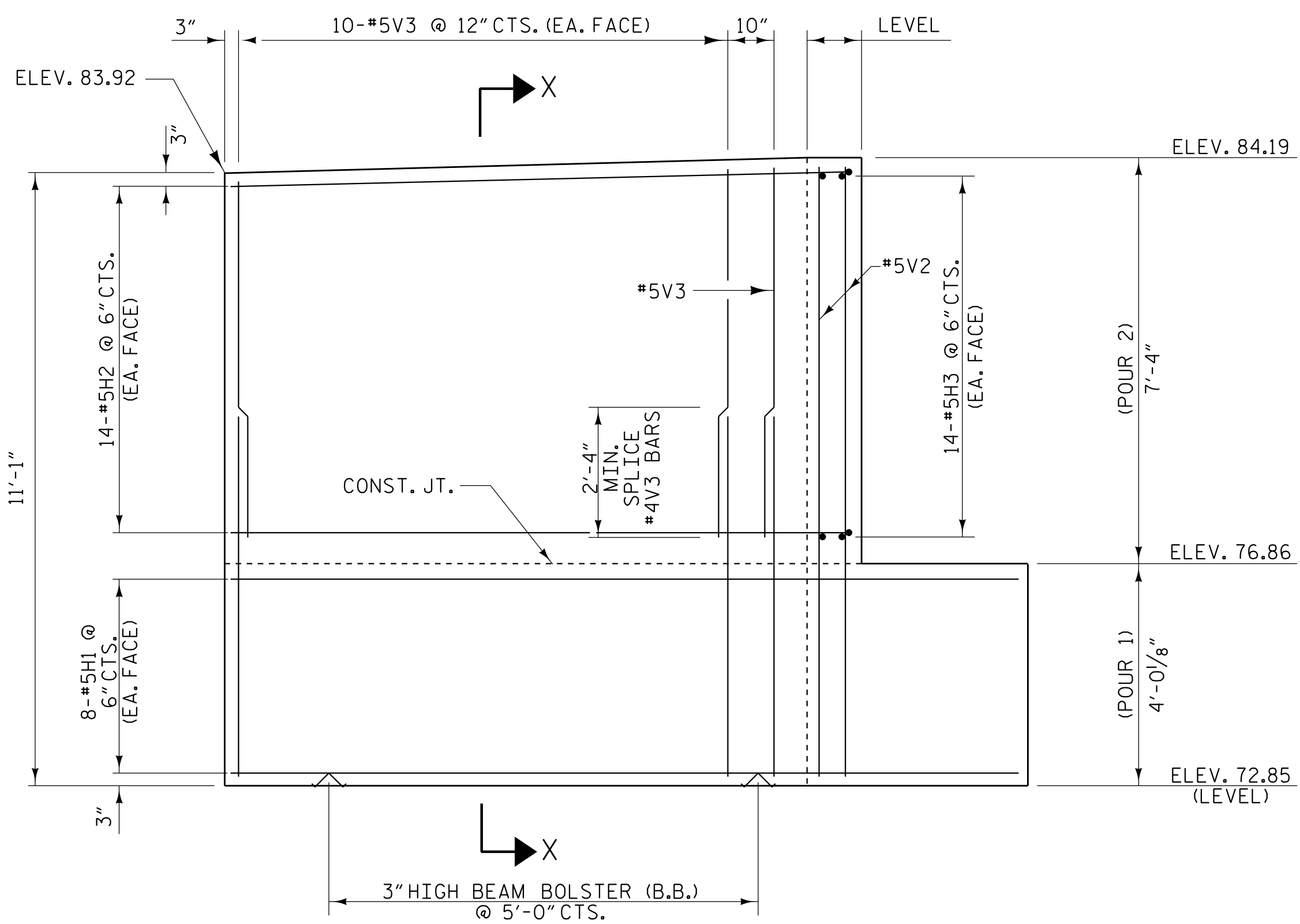
PLAN OF LEFT WING - W1



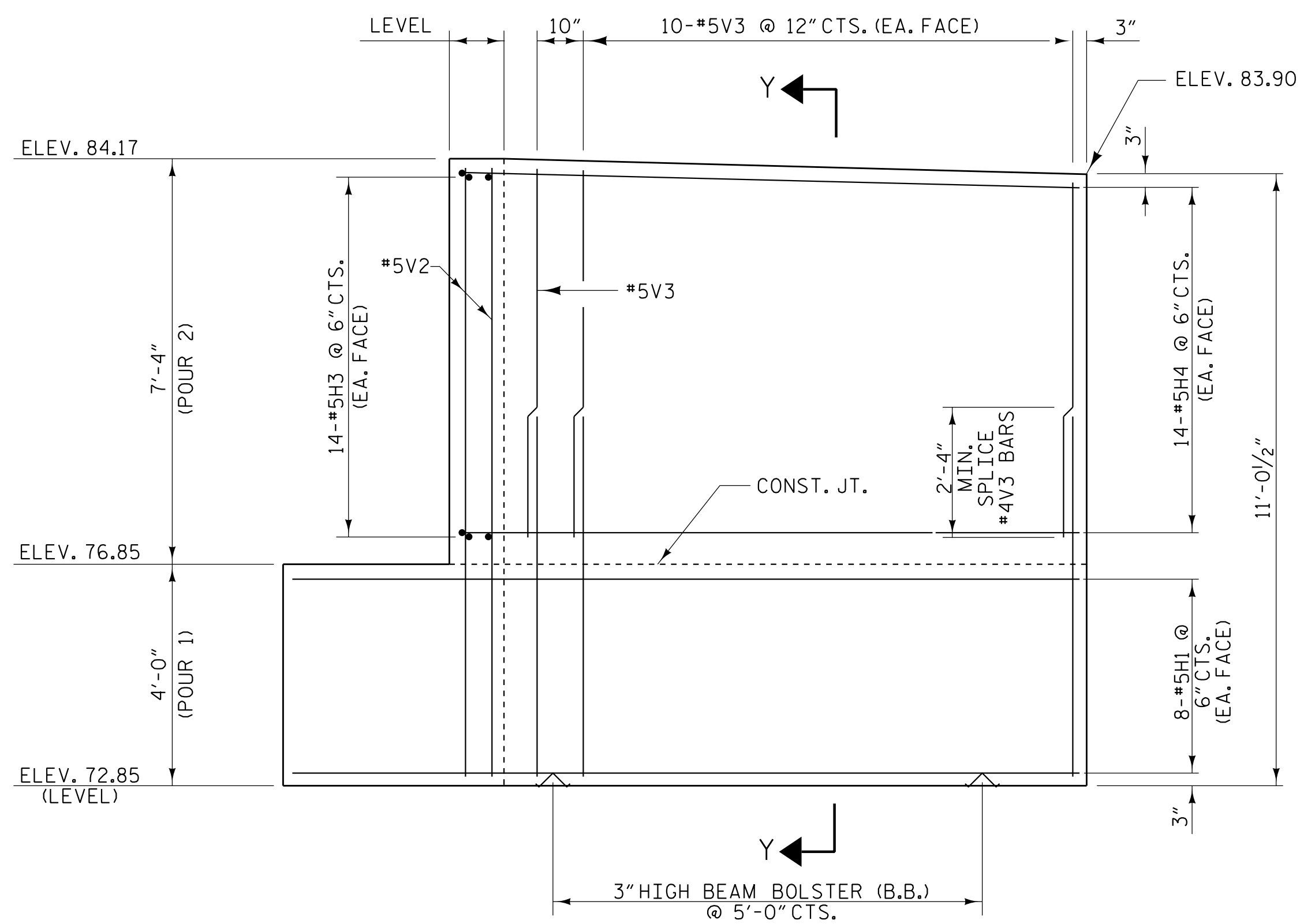
PLAN OF RIGHT WING - W2



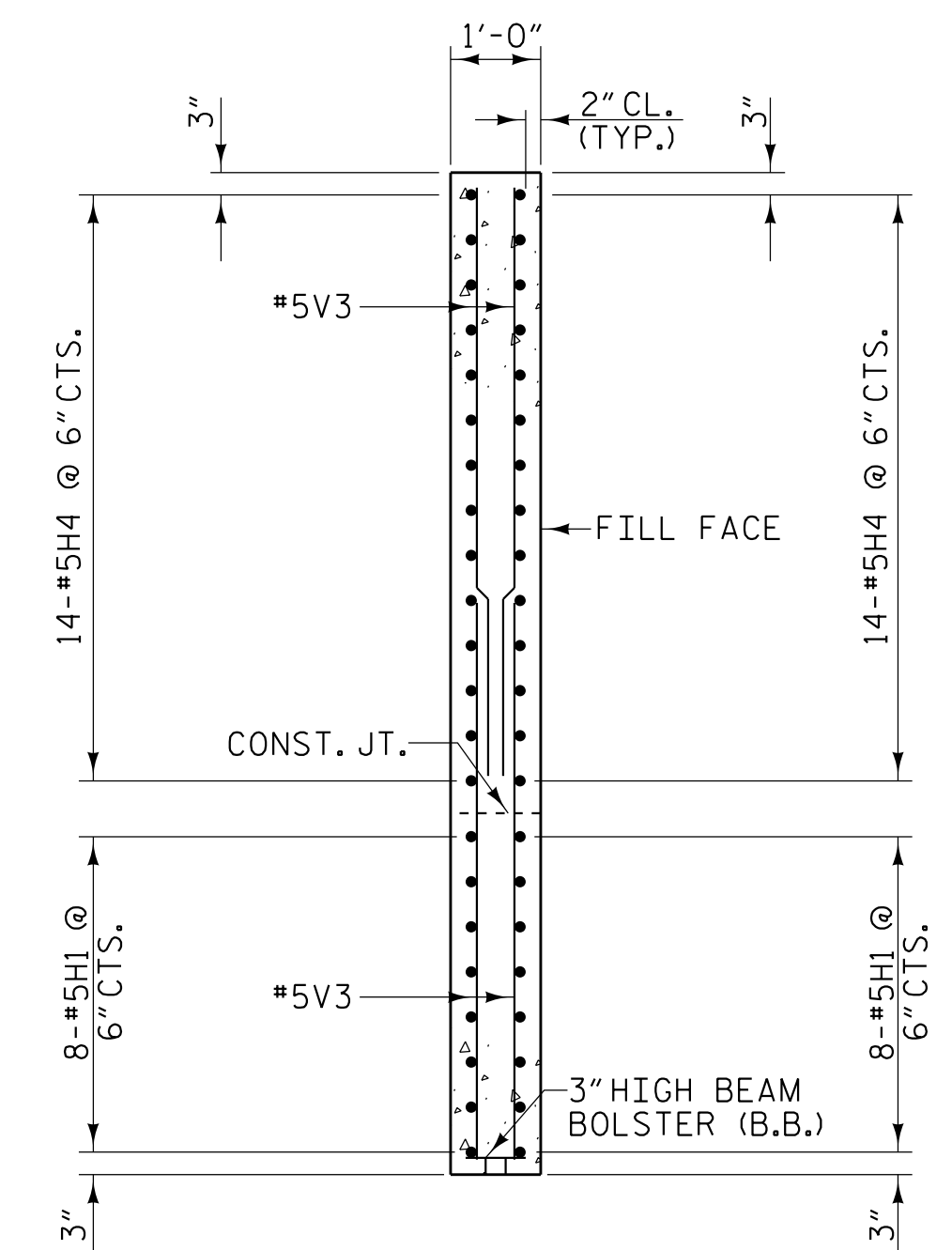
SECTION X-X



ELEVATION OF LEFT WING - W1



ELEVATION OF RIGHT WING - W2



SECTION Y-Y

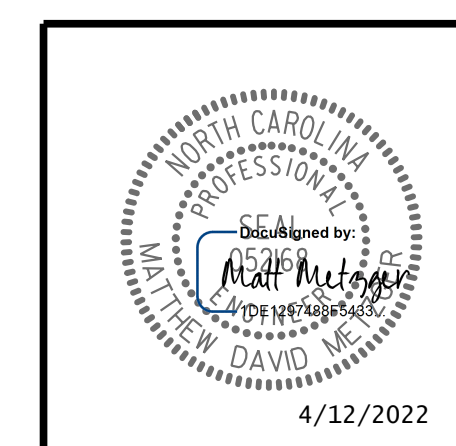
PROJECT NO. R-5819
 COLUMBUS COUNTY
 STATION: 40+06.72 -Y2- POT
 SHEET 2 OF 3

STATE OF NORTH CAROLINA
 DEPARTMENT OF TRANSPORTATION
 RALEIGH
 SUBSTRUCTURE
 INTEGRAL END BENT 2
 WING DETAILS

DRAWN BY : W. B. ALLEN DATE : 8/21
 CHECKED BY : M. D. METZGER DATE : 1/22
 DESIGN ENGINEER OF RECORD: M. D. METZGER DATE : 1/22



DOCUMENT NOT CONSIDERED FINAL
 UNLESS ALL SIGNATURES COMPLETED



REVISIONS						SHEET NO.
NO.	BY:	DATE:	NO.	BY:	DATE:	TOTAL SHEETS
1			3			38
2			4			

4/12/2022 10:25:27 AM G:\Projects\2016\20160320\CLIENT\Structures\R-5819 -Y2-YR5819_SML.E5.230422.dgn