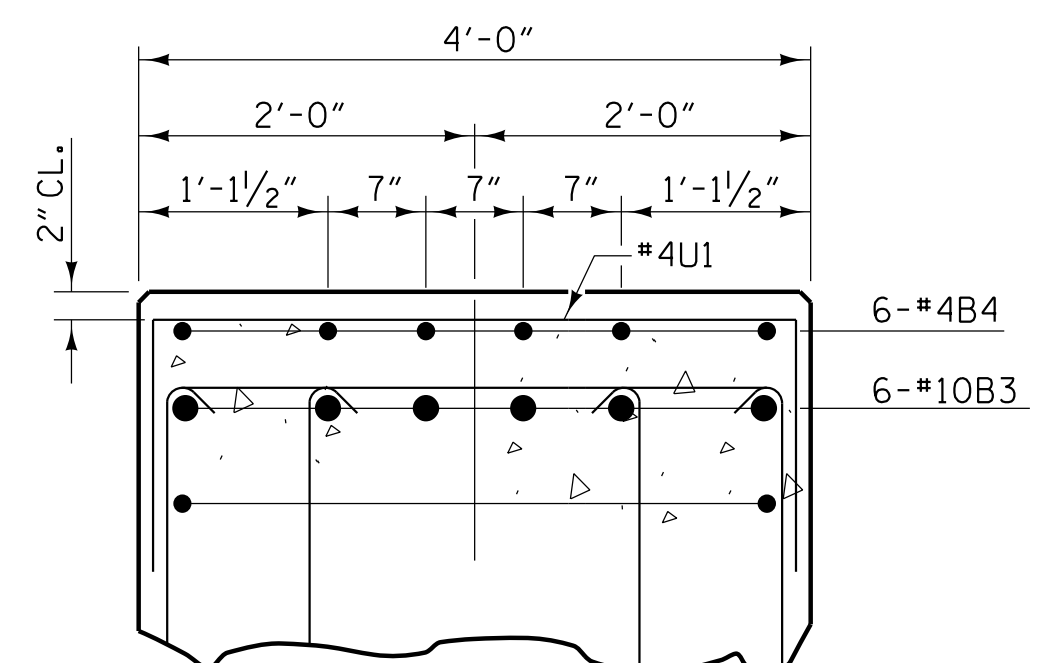
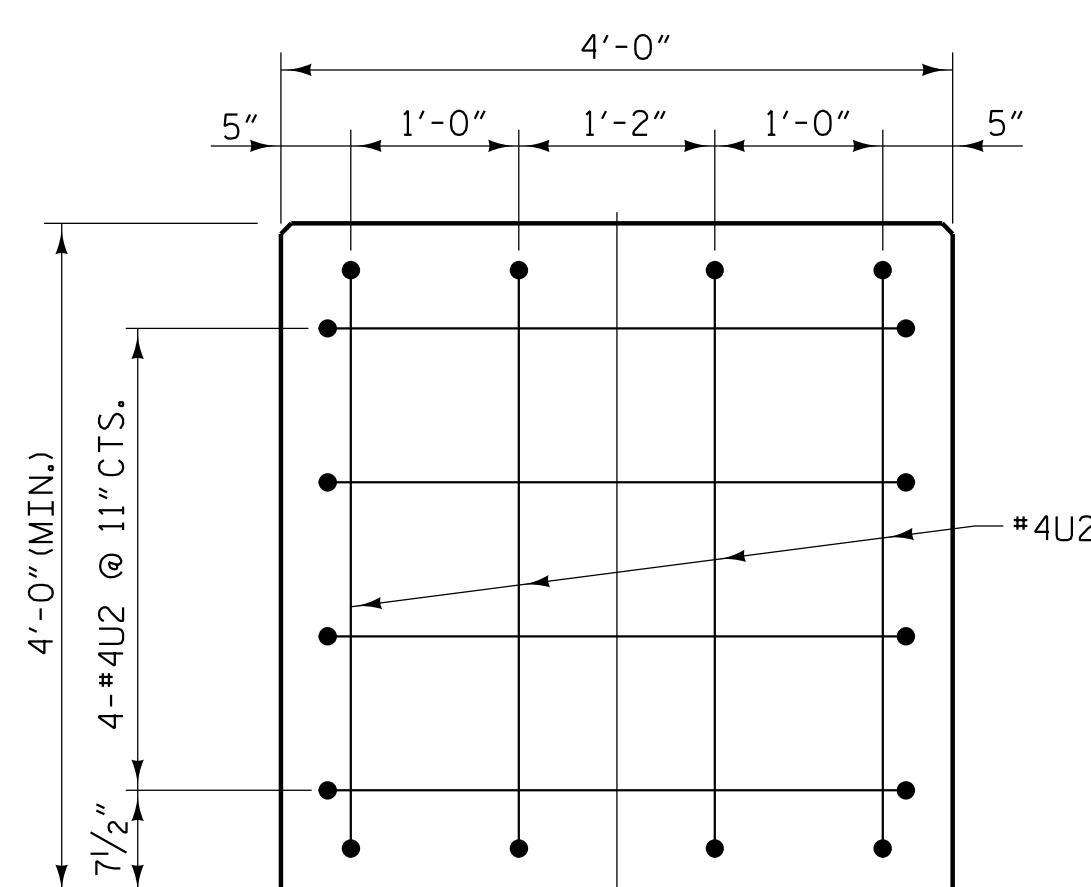


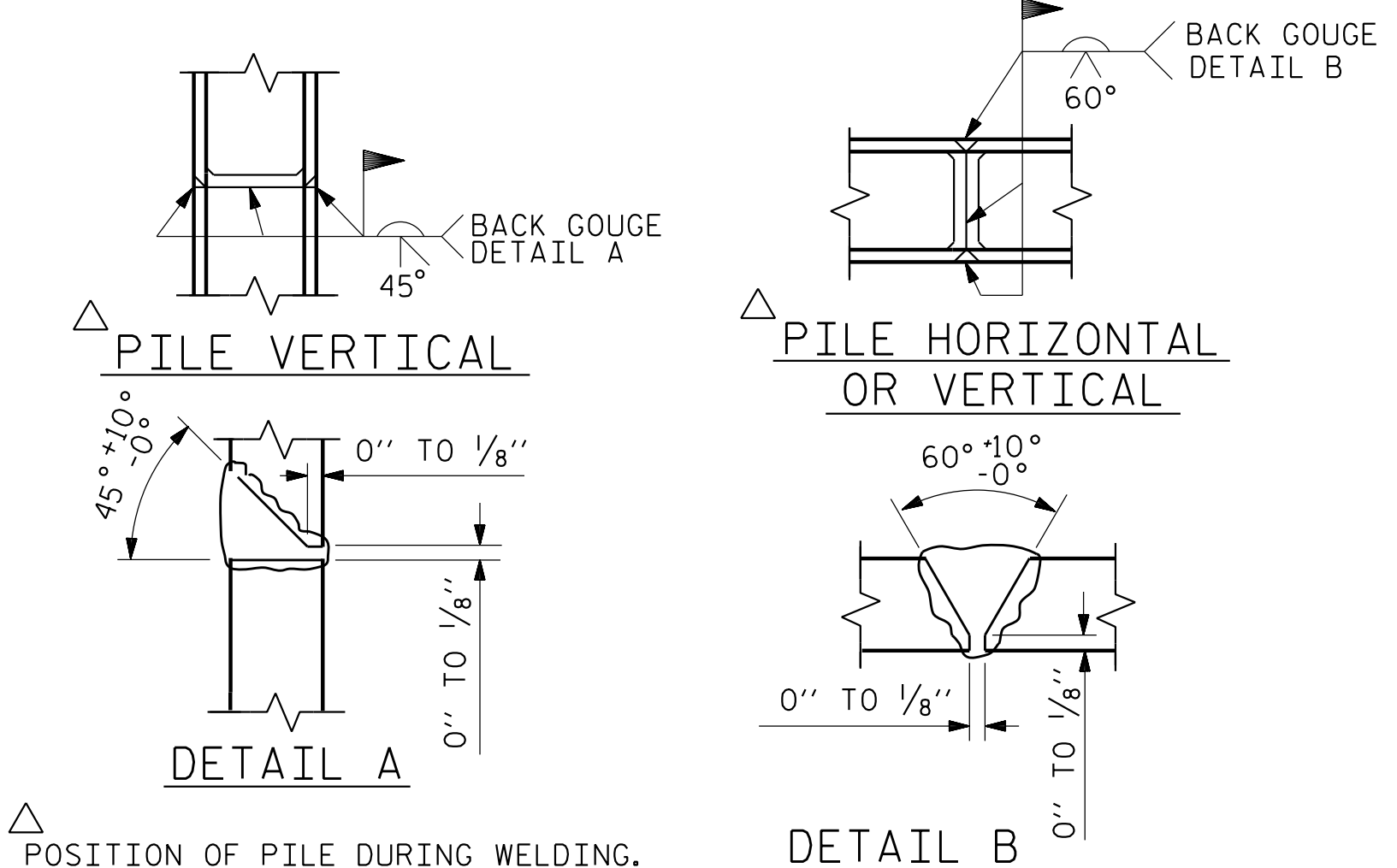
SECTION A-A



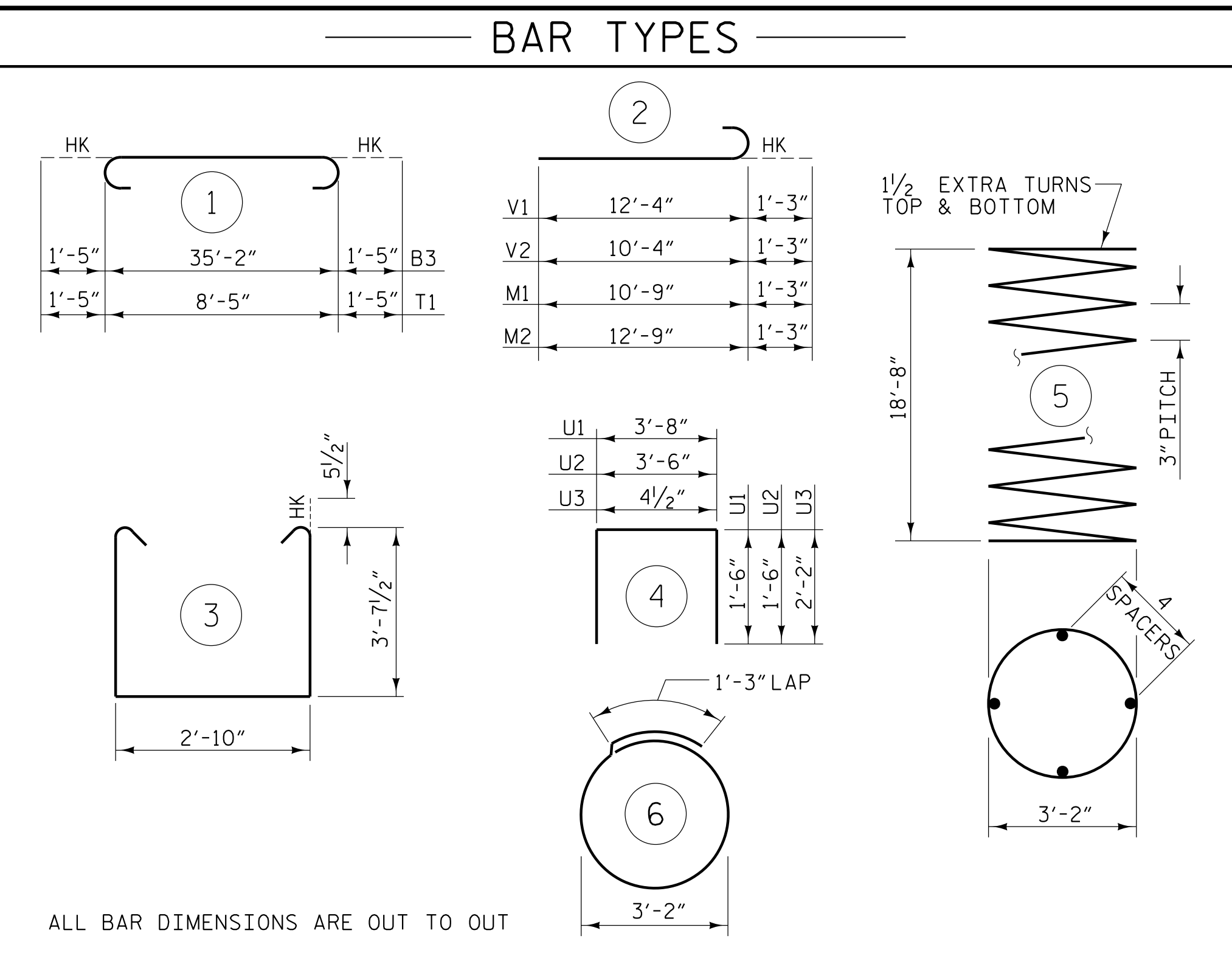
SECTION B-B



CAP END VIEW
(TYP. EACH END)

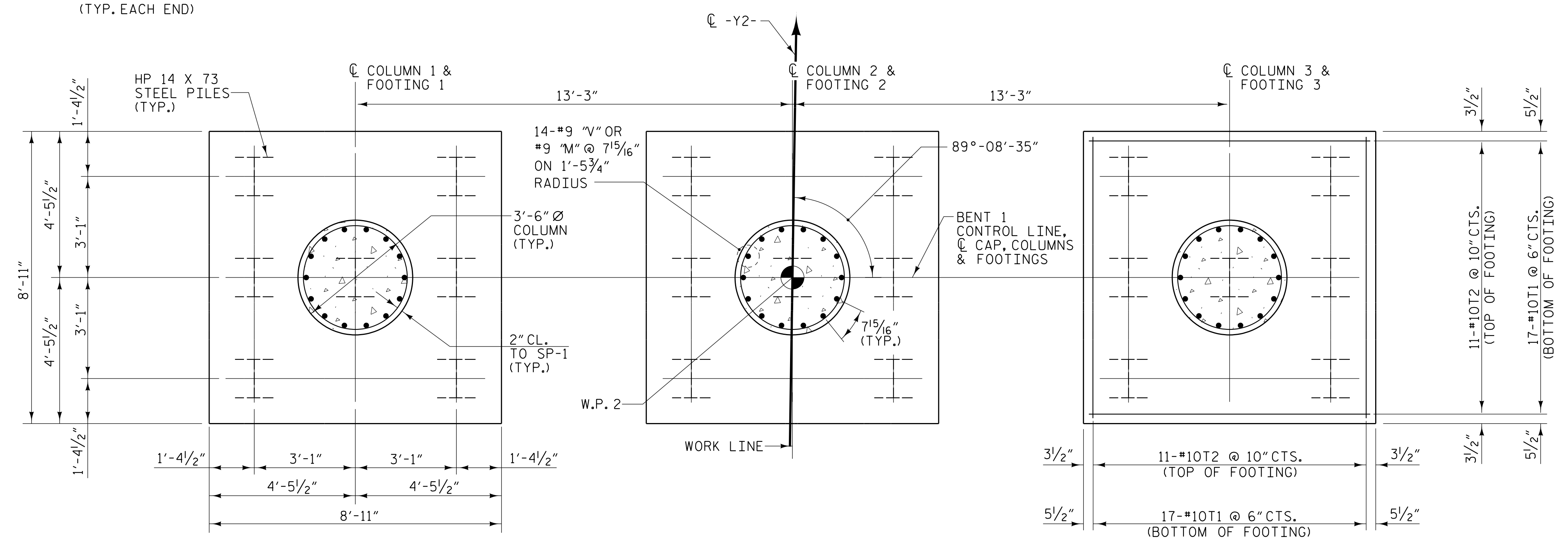


PILE SPLICE DETAILS



ALL BAR DIMENSIONS ARE OUT TO OUT
** THE SP-1 SPIRAL REINFORCING STEEL SHALL BE W31 OR D-31 COLD DRAWN WIRE OR #5 PLAIN OR DEFORMED BAR.

BILL OF MATERIAL					
BENT 1					
BAR	NO.	SIZE	TYPE	LENGTH	WEIGHT
B1	6	#10	STR	35'-2"	908
B2	10	#5	STR	35'-2"	367
B3	6	#10	1	38'-0"	981
B4	6	#4	STR	13'-9"	55
M1	21	#9	2	12'-0"	857
M2	21	#9	2	14'-0"	1000
S1	100	#5	3	11'-0"	1147
S2	33	#4	6	11'-3"	248
U1	36	#4	4	6'-8"	160
U2	16	#4	4	6'-6"	69
U3	48	#6	4	4'-9"	342
V1	21	#9	2	13'-7"	970
V2	21	#9	2	11'-7"	827
T1	102	#10	1	11'-3"	4938
T2	66	#10	STR	8'-5"	2390
TOTAL REINFORCING STEEL					15259 lbs.
SPIRAL COLUMN REINFORCING STEEL (SP)					
SP-1	3	**	5	776'-3"	2429
TOTAL SPIRAL COLUMN REINFORCING STEEL					2429 lbs.
CLASS "A" CONCRETE - CU. YARDS					
POUR 1 - FOOTINGS				33.9 CU. YDS.	
POUR 2 - COLUMNS				19.7 CU. YDS.	
POUR 3 - CAP				21.6 CU. YDS.	
TOTAL CLASS "A" CONCRETE					75.2 CU. YDS.
HP 14 X 73 STEEL PILES					
21 PILES REQUIRED - LIN. FEET				1596	
PILE DRIVING EQUIPMENT SETUP FOR HP 14 X 73 STEEL PILES - EACH					21
STEEL PILE POINTS					21 EA.
PILE REDRIVES					8 EA.



PLAN OF COLUMNS AND FOOTINGS

(DIMENSIONS AND REINFORCING STEEL ARE TYPICAL FOR EACH COLUMN AND FOOTING)

PLANS PREPARED BY:

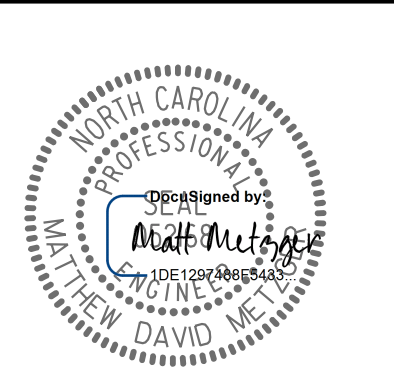
NV5 ENGINEERS & CONSULTANTS, INC.
3300 REGENCY PARKWAY, SUITE 100
CARY, NC 27518
P: 919.851.1912 www.NV5.com
NC License # 13333
Formerly CALIX Engineers & Consultants

PROJECT NO. R-5819
COLUMBUS COUNTY
STATION: 40+06.72 -Y2- POT

SHEET 2 OF 2

STATE OF NORTH CAROLINA
DEPARTMENT OF TRANSPORTATION
RALEIGH

SUBSTRUCTURE
BENT 1



REVISIONS						SHEET NO.
NO.	BY:	DATE:	NO.	BY:	DATE:	S1-29
1			3			TOTAL SHEETS
2			4			38

DOCUMENT NOT CONSIDERED FINAL
UNLESS ALL SIGNATURES COMPLETED

DRAWN BY : W. B. ALLEN DATE : 8/21
CHECKED BY : M. D. METZGER DATE : 1/22
DESIGN ENGINEER OF RECORD: M. D. METZGER DATE : 1/22

4/12/2022