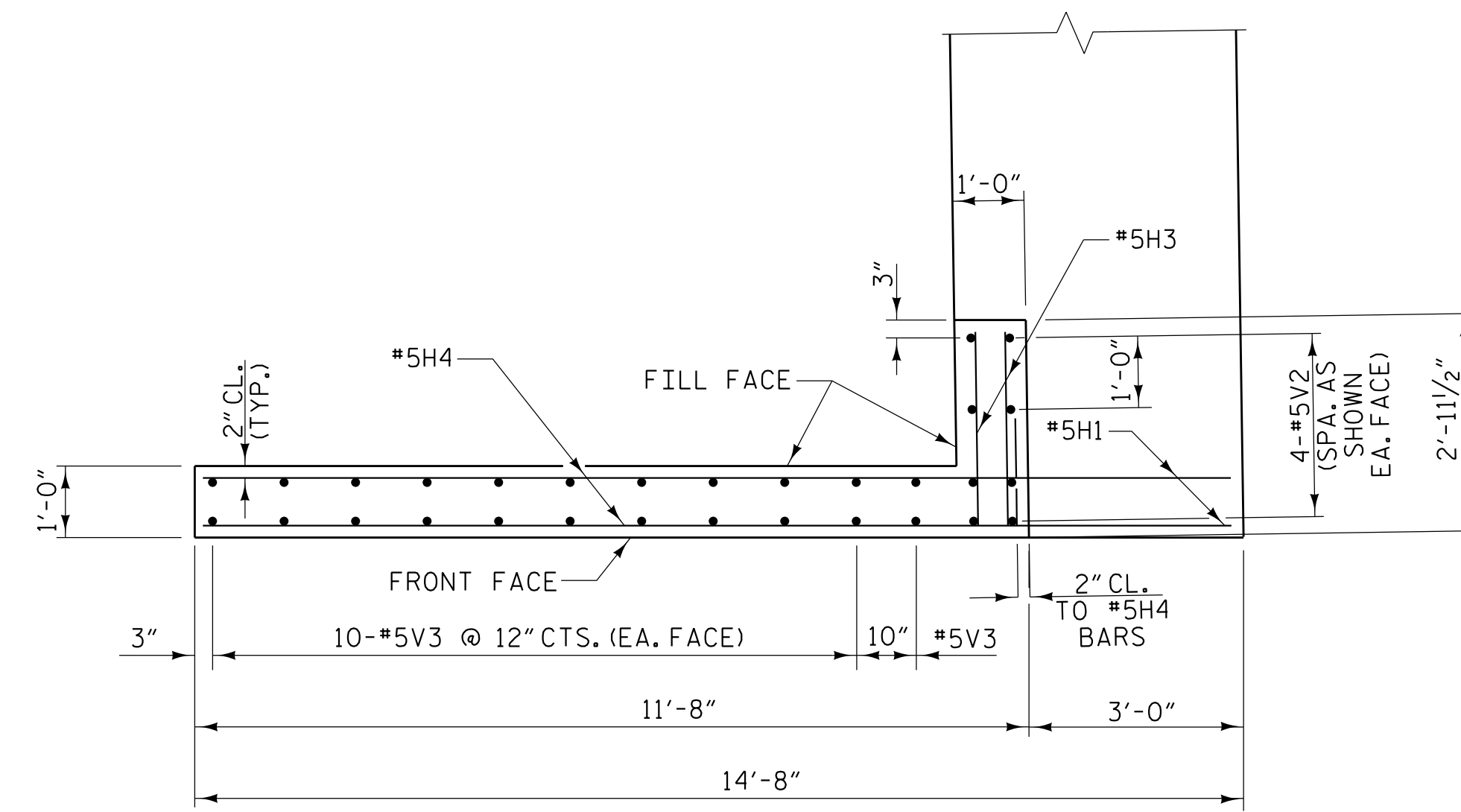
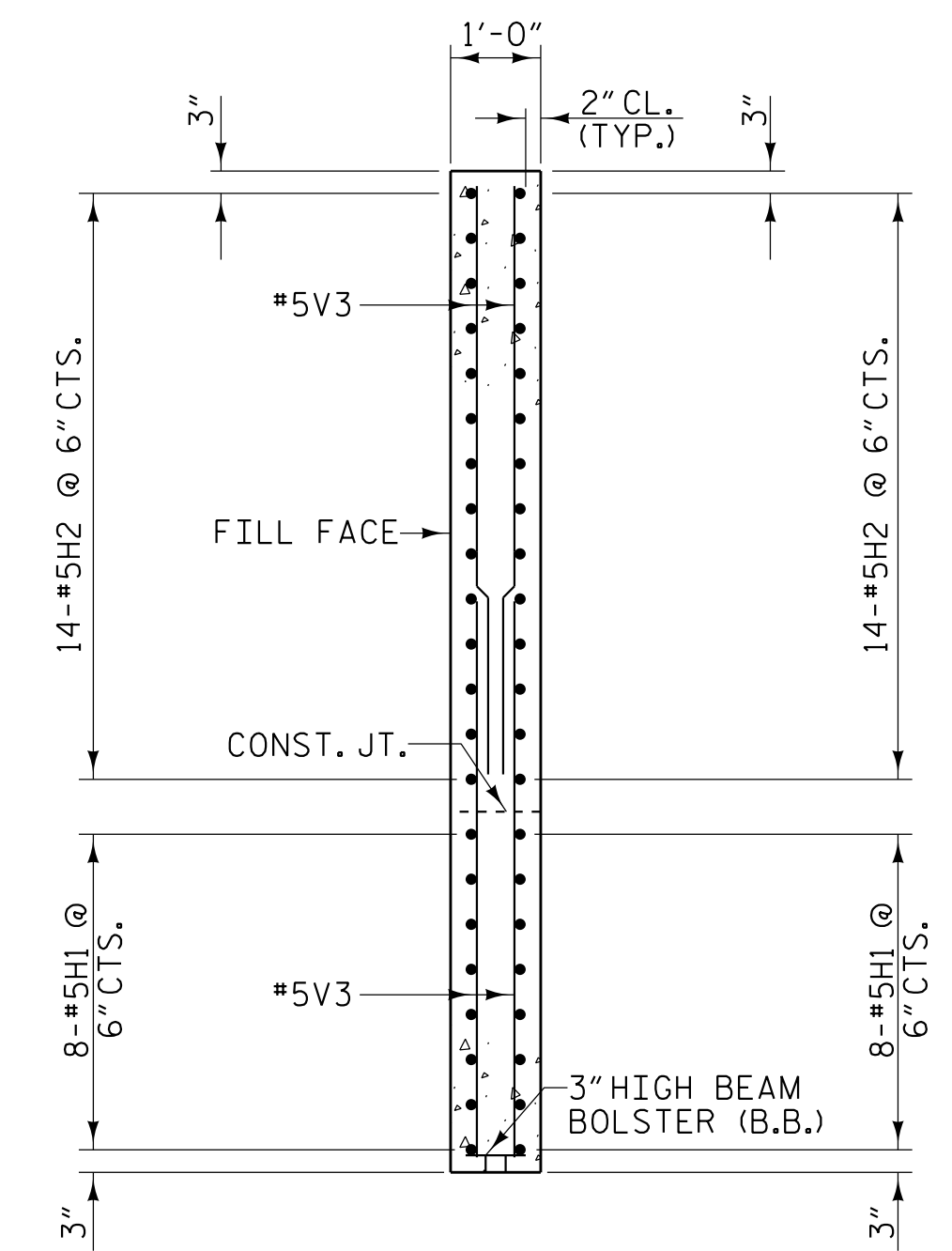


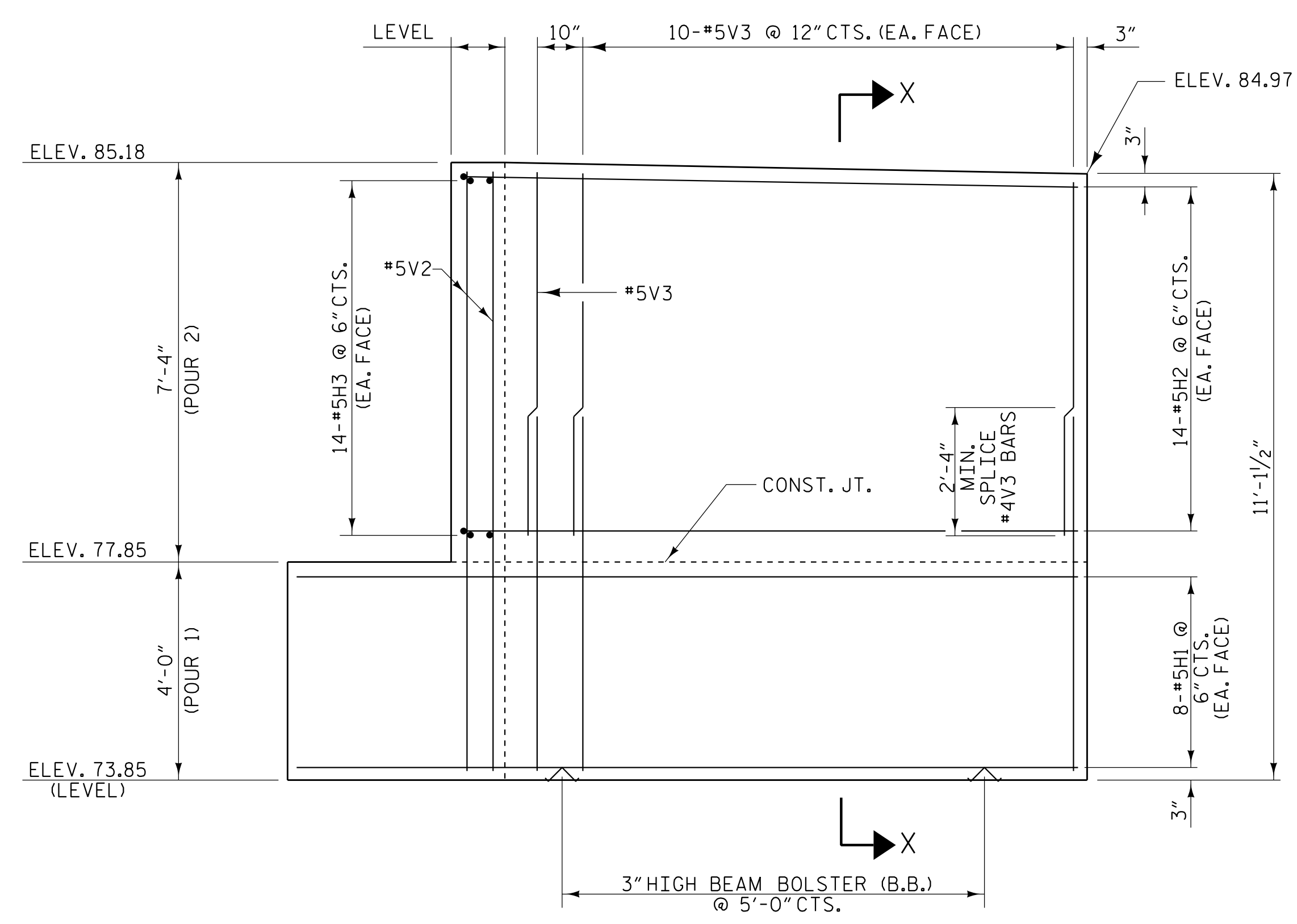
PLAN OF LEFT WING - W1



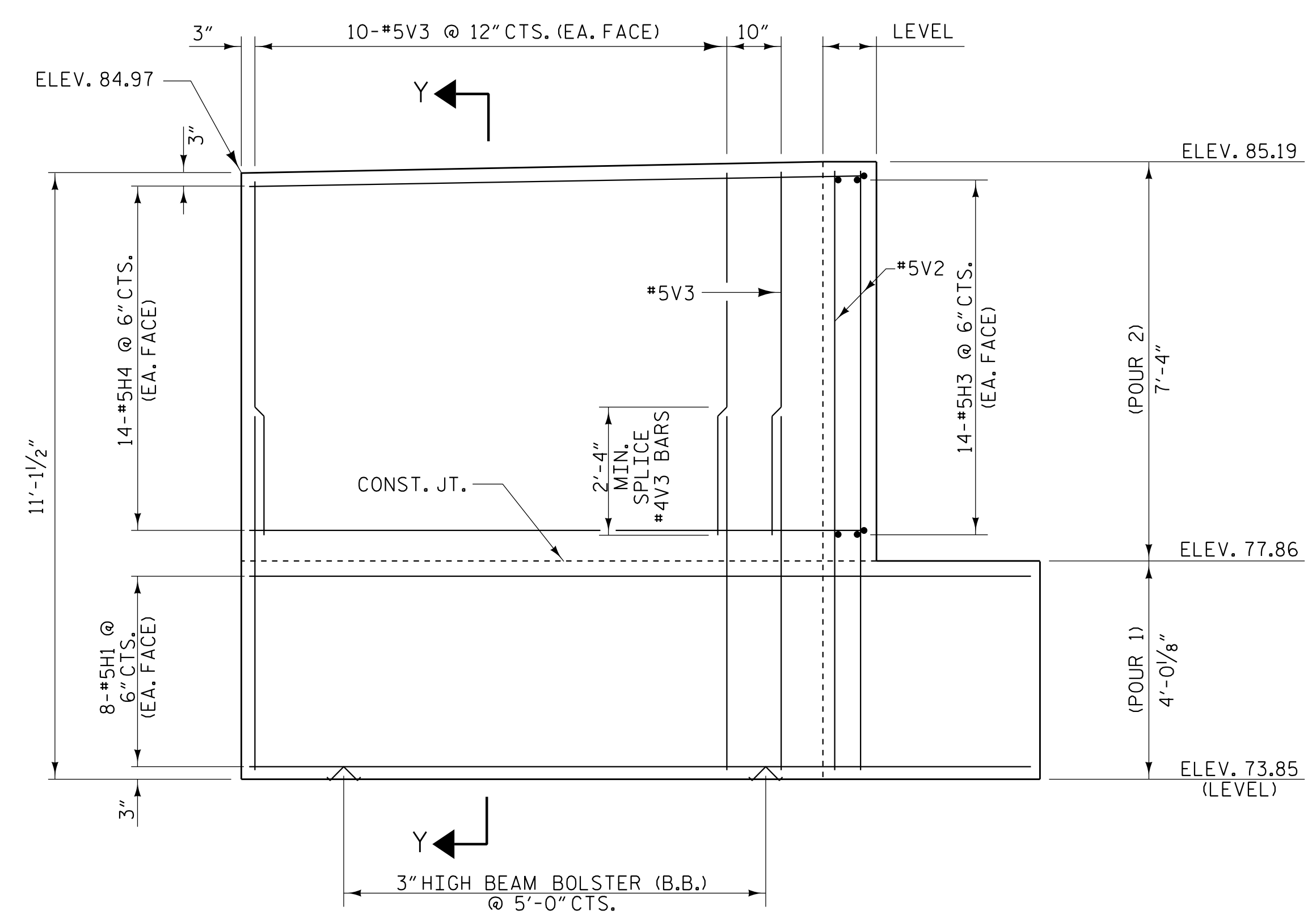
PLAN OF RIGHT WING - W2



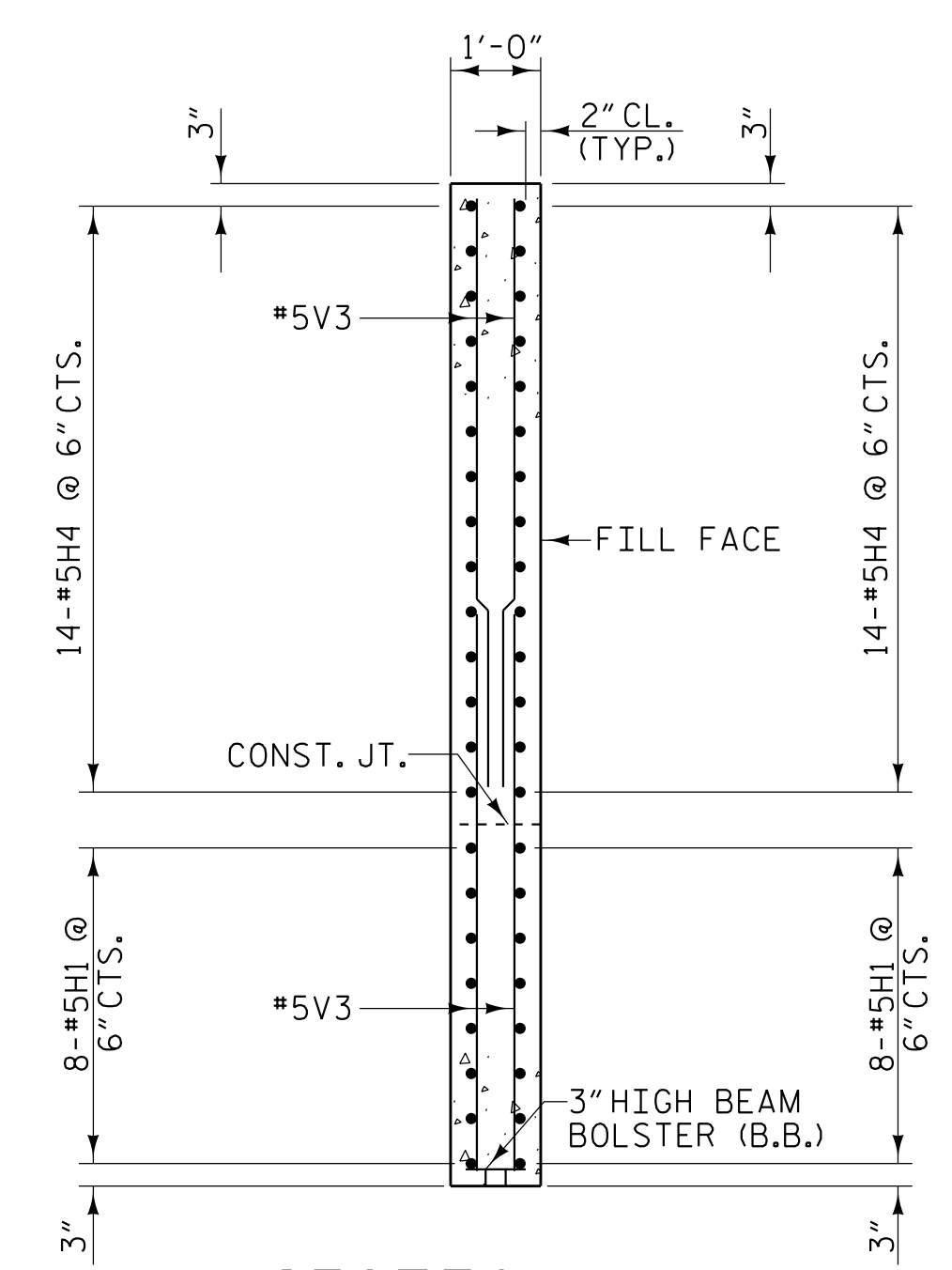
SECTION X-X



ELEVATION OF LEFT WING - W1



ELEVATION OF RIGHT WING - W2



SECTION Y-Y

PROJECT NO. R-5819  
 COLUMBUS COUNTY  
 STATION: 40+06.72 -Y2- POT

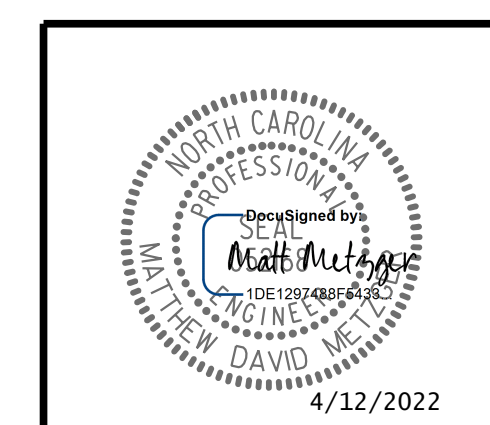
SHEET 2 OF 3

STATE OF NORTH CAROLINA  
 DEPARTMENT OF TRANSPORTATION  
 RALEIGH  
 SUBSTRUCTURE  
 INTEGRAL END BENT 1  
 WING DETAILS

REVISIONS						SHEET NO.
NO.	BY:	DATE:	NO.	BY:	DATE:	TOTAL SHEETS
1			3			38
2			4			

PLANS PREPARED BY:

NV5 ENGINEERS & CONSULTANTS, INC.  
 3300 REGENCY PARKWAY, SUITE 100  
 CARY, NC 27518  
 P: 919.851.1912 www.nv5.com  
 NC License # F-1333  
 Formerly CAVI Engineers & Consultants



**DOCUMENT NOT CONSIDERED FINAL  
 UNLESS ALL SIGNATURES COMPLETED**

DRAWN BY: W. B. ALLEN DATE: 8/21  
 CHECKED BY: M. D. METZGER DATE: 1/22  
 DESIGN ENGINEER OF RECORD: M. D. METZGER DATE: 1/22

4/12/2022 10:25:24 AM C:\N\Project\2016\20160320\CLIENT\Structures\R-5819 -Y2-YR5819\_SMI.E2.230422.dgn