

**NOTES**

AT ALL FIXED POINTS OF SUPPORT, NUTS FOR ANCHOR BOLTS ARE TO BE TIGHTENED FINGER TIGHT AND THEN BACKED OFF 1/2 TURN. THE THREAD OF THE NUT AND BOLT SHALL THEN BE BURRED WITH A SHARP POINTED TOOL.

STEEL SOLE PLATES, ANCHOR BOLTS, NUTS, AND WASHERS SHALL BE GALVANIZED IN ACCORDANCE WITH THE STANDARD SPECIFICATIONS.

PRIOR TO WELDING, GRIND THE GALVANIZED SURFACE OF THE PORTION OF THE EMBEDDED PLATE AND SOLE PLATE THAT ARE TO BE WELDED. AFTER WELDING, DAMAGED GALVANIZED SURFACES SHALL BE REPAIRED IN ACCORDANCE WITH THE STANDARD SPECIFICATIONS.

WHEN WELDING THE SOLE PLATE TO THE EMBEDDED PLATE IN THE GIRDER, USE TEMPERATURE INDICATING WAX PENS, OR OTHER SUITABLE MEANS, TO ENSURE THAT THE TEMPERATURE OF THE SOLE PLATE DOES NOT EXCEED 300°F. TEMPERATURES ABOVE THIS MAY DAMAGE THE ELASTOMER.

SOLE PLATE "P", BOLTS, NUTS, AND WASHERS SHALL BE INCLUDED IN THE PAY ITEM FOR PRESTRESSED CONCRETE GIRDERS.

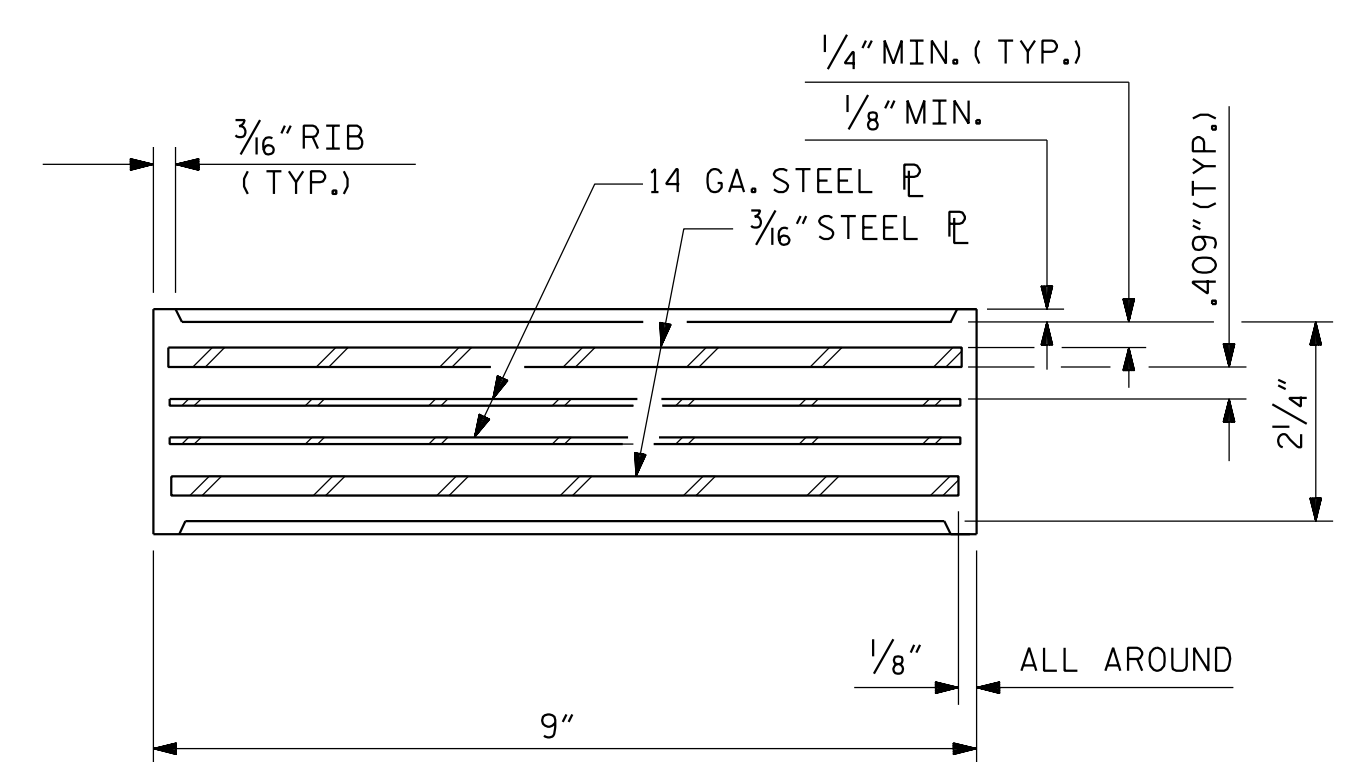
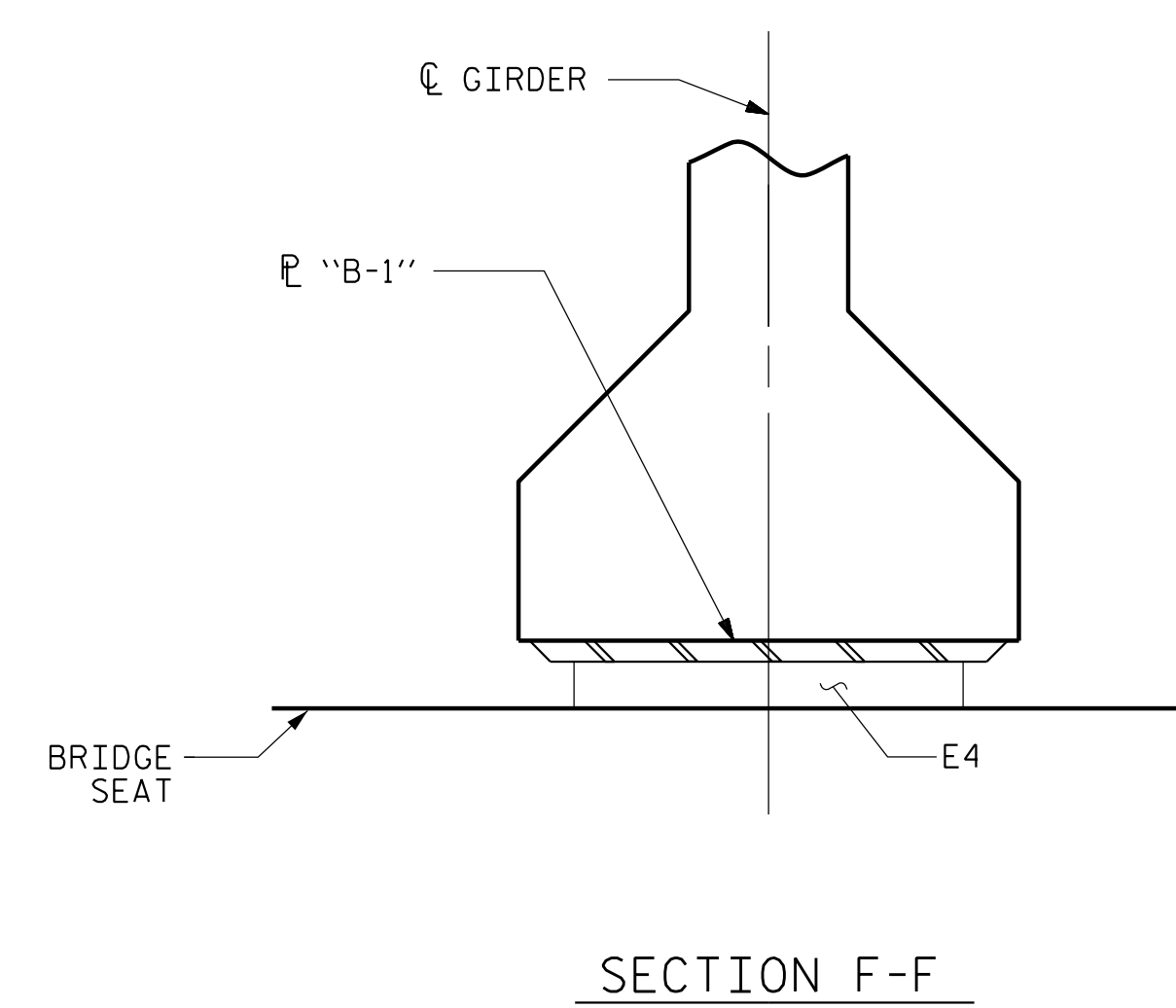
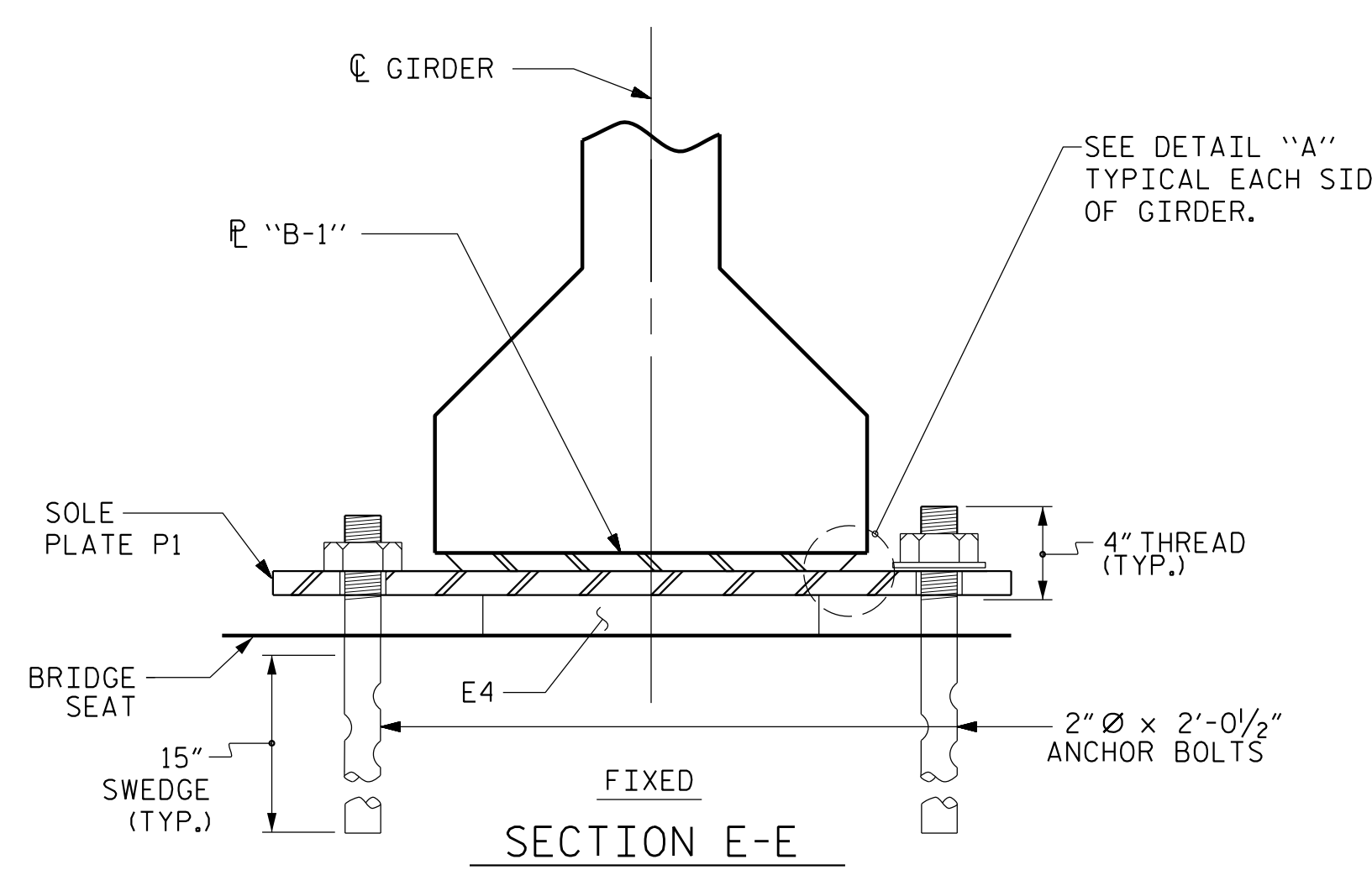
ANCHOR BOLTS SHALL MEET THE REQUIREMENTS OF ASTM A449. NUTS SHALL MEET THE REQUIREMENTS OF AASHTO M291-DH OR AASHTO M292-2H. WASHERS SHALL MEET THE REQUIREMENTS OF AASHTO M293. NO SHOP DRAWINGS ARE REQUIRED FOR ANCHOR BOLTS, NUTS AND WASHERS. SHOP INSPECTION IS REQUIRED.

ALL SURFACES OF BEARING PLATES SHALL BE SMOOTH AND STRAIGHT.

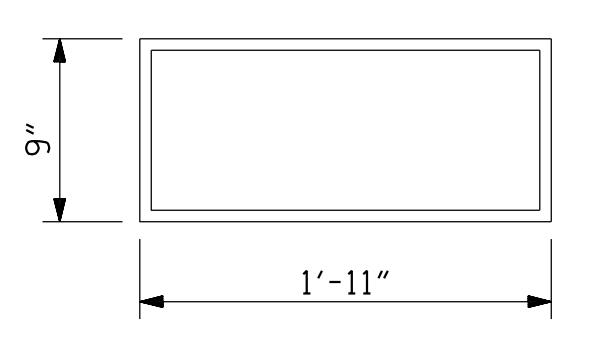
THE ELASTOMER IN THE STEEL REINFORCED BEARINGS SHALL HAVE A SHEAR MODULUS OF 0.160 KSI, IN ACCORDANCE WITH AASHTO M251.

FOR STEEL REINFORCED ELASTOMERIC BEARINGS, SEE SPECIAL PROVISIONS.

ALL SOLE PLATES SHALL BE AASHTO M270 GRADE 36.



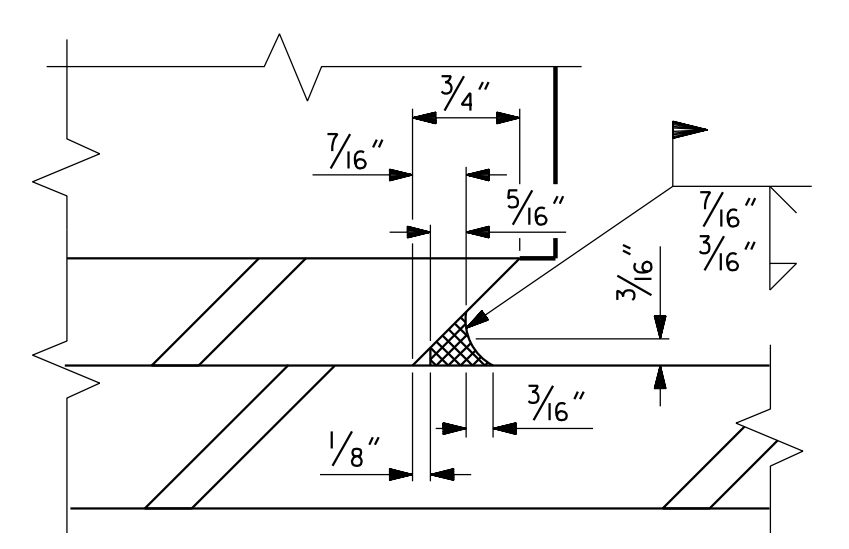
TYPICAL SECTION OF ELASTOMERIC BEARINGS



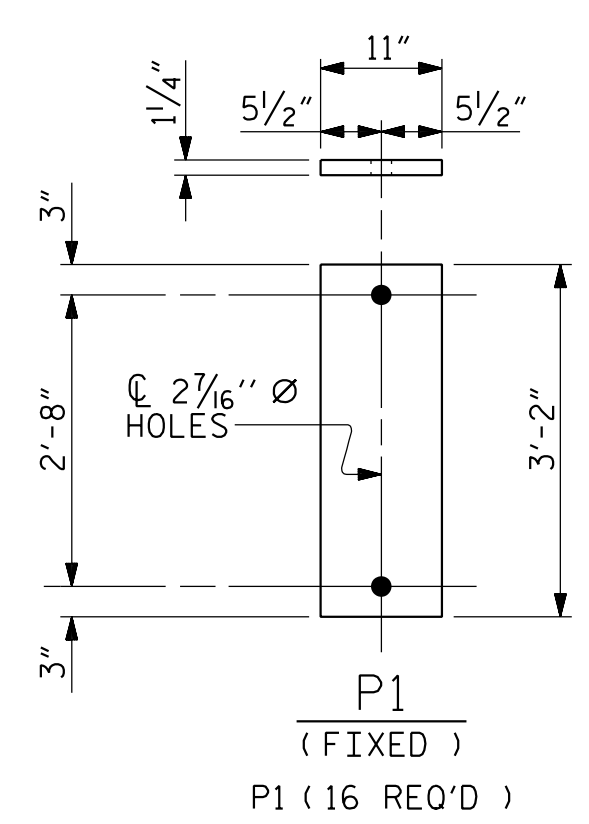
E4 (24 REQ'D)

PLAN VIEW OF ELASTOMERIC BEARING

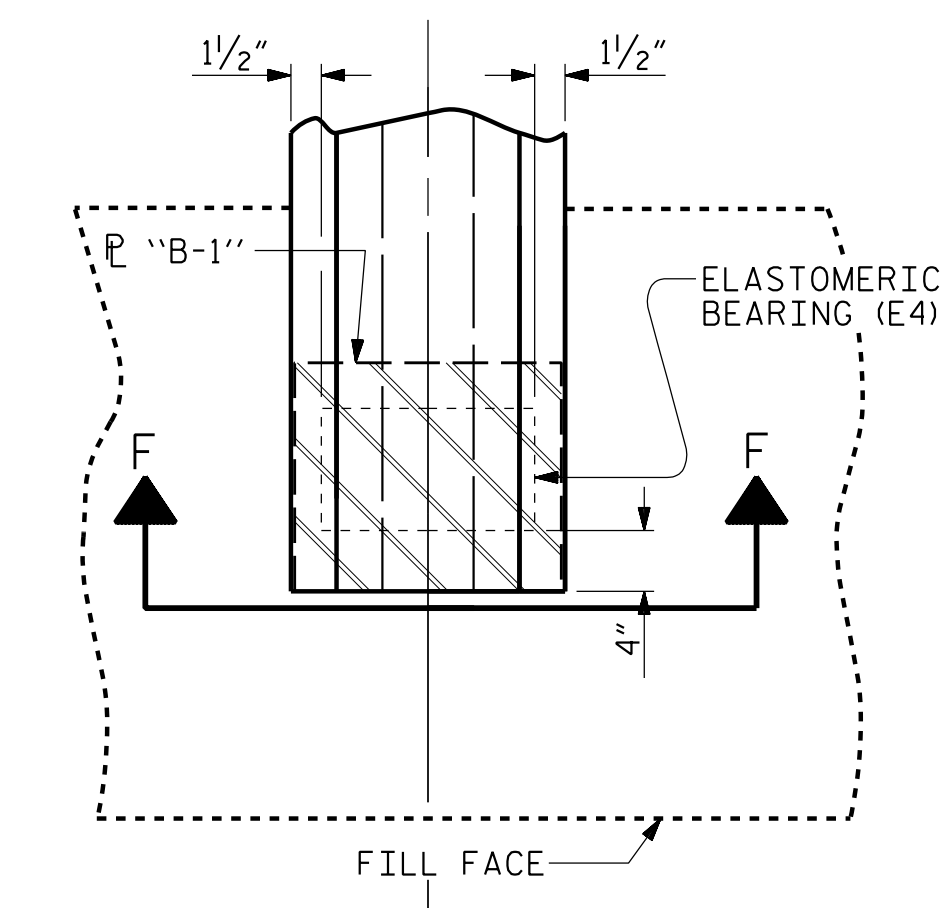
**TYPE V**



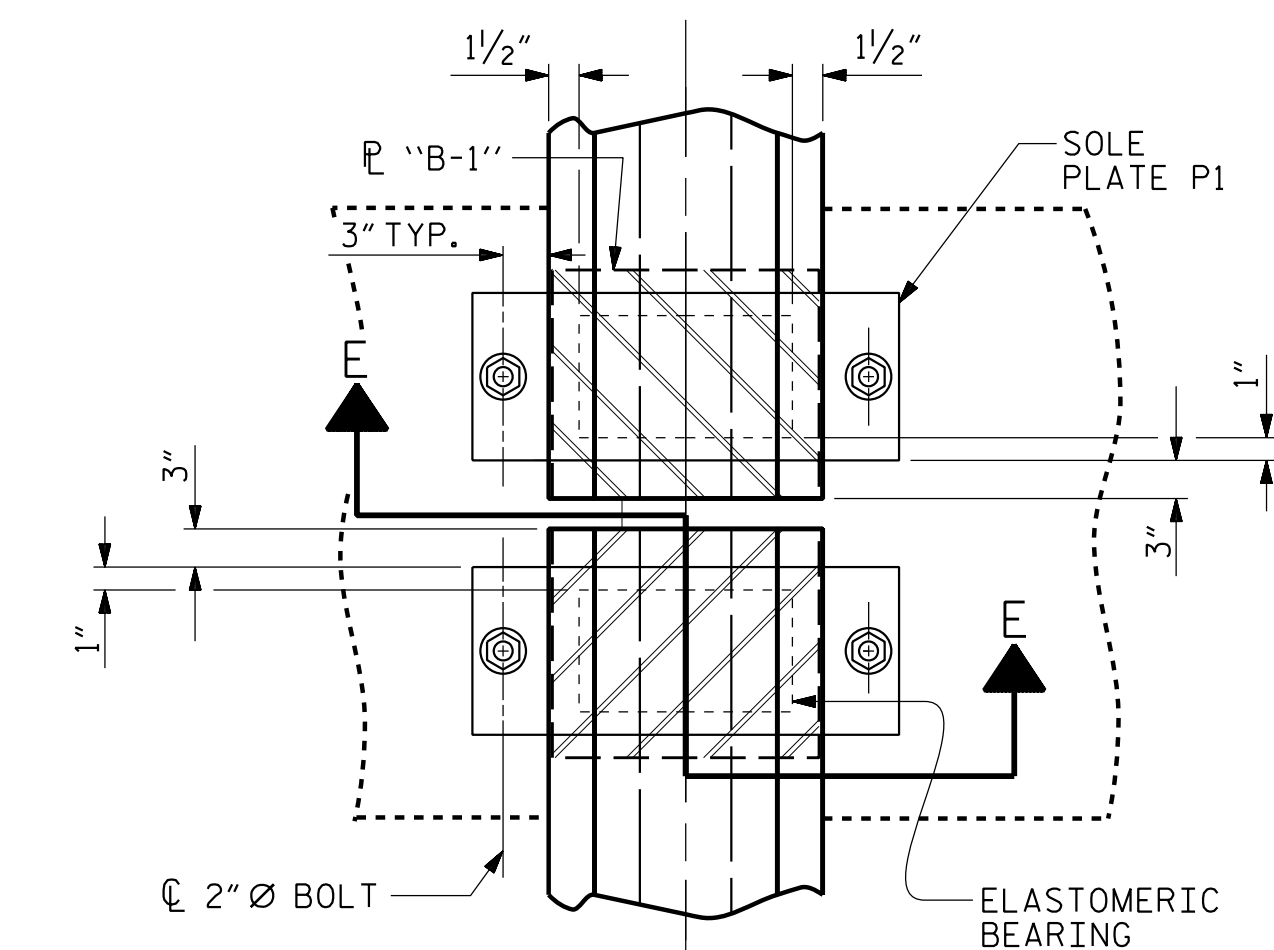
DETAIL "A"



SOLE PLATE DETAILS ("P")



TYPICAL HALF-PLAN (SHOWING INTEGRAL END BENT)



TYPICAL HALF-PLAN (SHOWING CONTINUOUS BENT)

<b>MAXIMUM ALLOWABLE SERVICE LOADS</b>	
D.L.+L.L. (NO IMPACT)	
TYPE V	365 k

PROJECT NO. R-5819  
 COLUMBUS COUNTY  
 STATION: 40+06.72 -Y2- POT

PLANS PREPARED BY:

NV5 ENGINEERS & CONSULTANTS, INC.  
 3300 REGENCY PARKWAY, SUITE 100  
 CARY, NC 27518  
 P: 919.851.1912 www.nv5.com  
NC License # F-1333 formerly CALS Engineers & Consultants

THIS STANDARD DRAWING REVIEWED & ADOPTED FOR USE AT THE REFERENCED LOCATION BY THE UNDERSIGNED:

4/12/2022

STATE OF NORTH CAROLINA  
 DEPARTMENT OF TRANSPORTATION  
 RALEIGH  
 STANDARD  
**ELASTOMERIC BEARING DETAILS**  
 PRESTRESSED CONCRETE GIRDER SUPERSTRUCTURE

REVISIONS						SHEET NO.
NO.	BY:	DATE:	NO.	BY:	DATE:	S1-20
1			3			TOTAL SHEETS
2			4			38

4/12/2022 10:25:21 AM G:\Projects\2016\20160321\CLIENT\Structures\R-5819 -Y2-YR5819.SML.BG.210422.dgn

ASSEMBLED BY : W. B. ALLEN	DATE : 6/21
CHECKED BY : M. D. METZGER	DATE : 8/21
DRAWN BY : EEM 2/97	REV. 1/15 MAA/TMG
CHECKED BY : VAP 2/97	REV. 12/17 MAA/THC
	REV. 10/21 BNB/AAI

**DOCUMENT NOT CONSIDERED FINAL UNLESS ALL SIGNATURES COMPLETED**