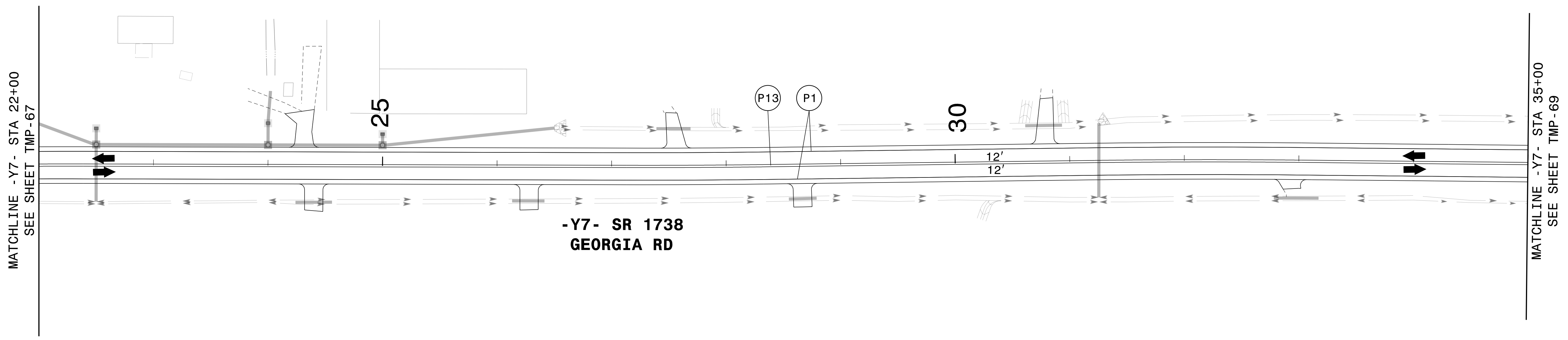


PROJ. REFERENCE NO.	SHEET NO.
R-5819 R-5820	TMP-68

PLANS PREPARED FOR THE NCDOT BY:

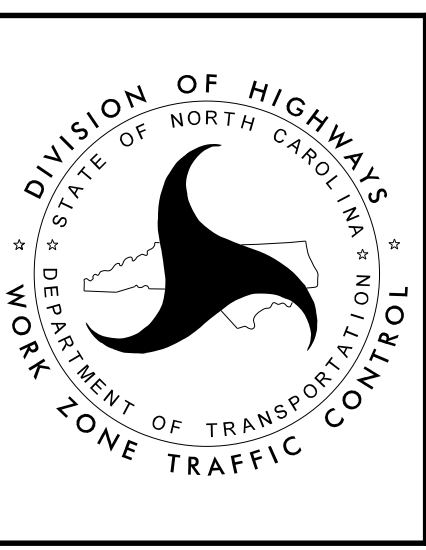
M MOTT MACDONALD I & E, LLC
 1101 HAYNES STREET, SUITE 101
 RALEIGH, NC 27604
M NC LICENSE NO. F-0669
 MOTT MACDONALD



4/13/2022
 G:\501406565_Calyx_R5819_R5820\TrafficControl\TrafficControl\CPNR-5819_R-5820_TC-TMP-TMP_P4A.dgn
 User:ST086227

APPROVED: *Lori D Stoucho*
DocuSigned by:
Lori D Stoucho
7A92E40FD7874C7...

DATE: 4/13/2022



**TEMPORARY TRAFFIC CONTROL
 AREA 2
 PHASE IVA**

**DOCUMENT NOT CONSIDERED FINAL
 UNLESS ALL SIGNATURES COMPLETED**