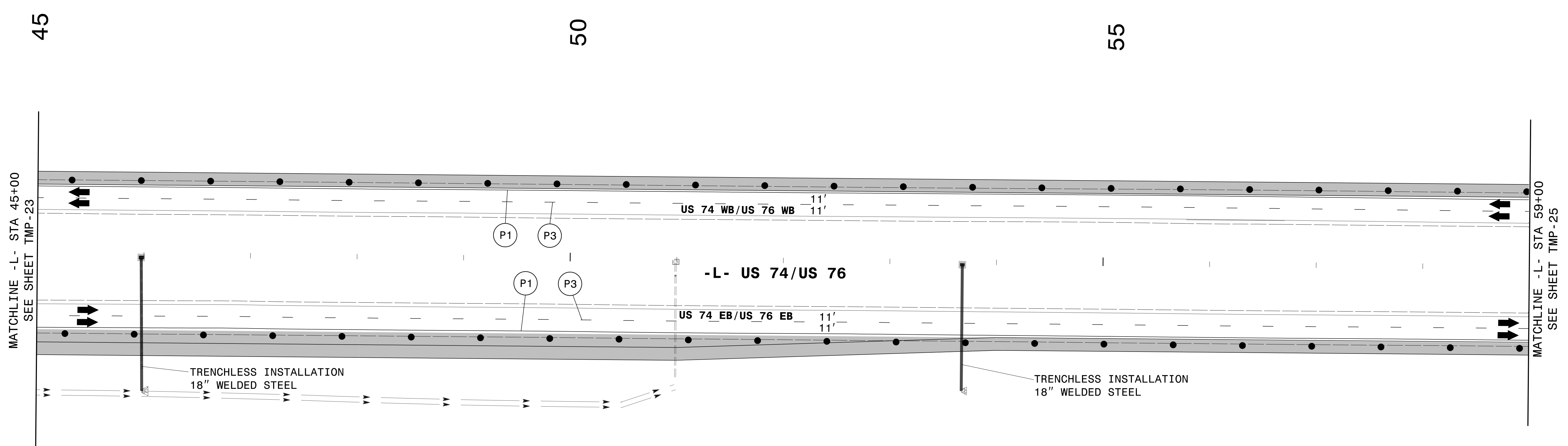
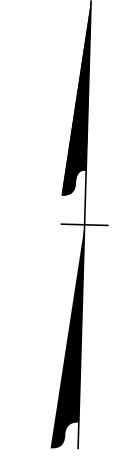


PROJ. REFERENCE NO.	SHEET NO.
R-5819 R-5820	TMP-24

PLANS PREPARED FOR THE NCDOT BY:

**M** MOTT MACDONALD I & E, LLC  
 1101 HAYNES STREET, SUITE 101  
 RALEIGH, NC 27604

**M** MOTT MACDONALD  
 NC LICENSE NO. F-0669

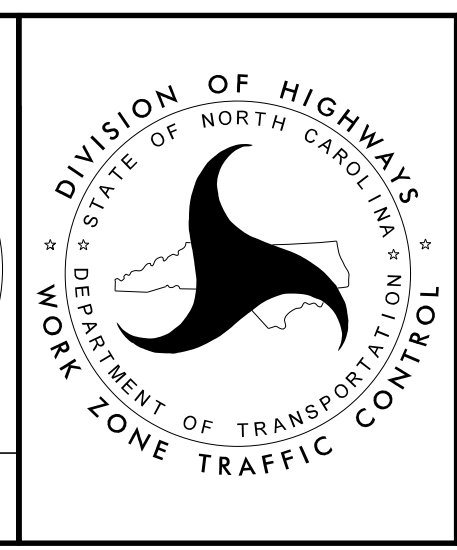


3/14/2022  
G:\501406565\_Calyx\_R5819\_R5820\TrafficControl\TrafficControl\TC\_TMP\_24\_P2.dgn  
User:ST086227

APPROVED: *Lori D Stoucho*  
DocuSigned by:  
Lori D Stoucho  
7A92E40FD7874C7...

DATE: 4/13/2022

**DOCUMENT NOT CONSIDERED FINAL  
UNLESS ALL SIGNATURES COMPLETED**



**TEMPORARY TRAFFIC CONTROL  
 AREA 2  
 PHASE II**