

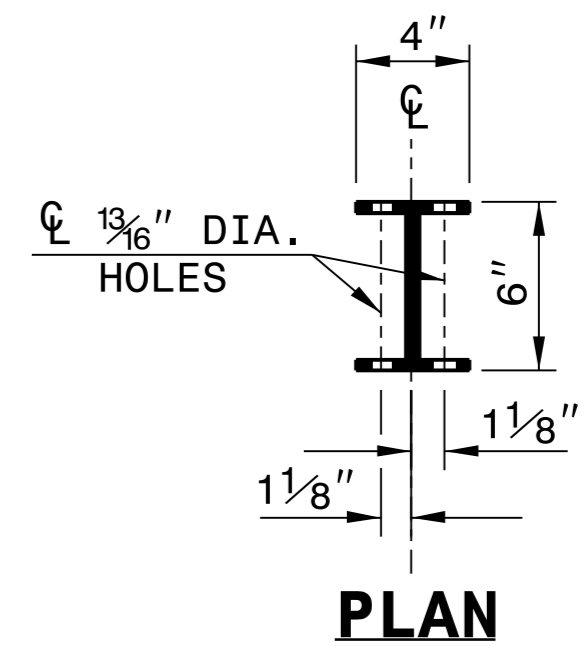
STATE OF NORTH CAROLINA  
DEPT. OF TRANSPORTATION  
DIVISION OF HIGHWAYS  
RALEIGH, N.C.

ROADWAY DETAIL DRAWING FOR  
**GUARDRAIL INSTALLATION**

SHEET 6 OF 8  
**862D02**



**STANDARD W-BEAM GUARDRAIL**



**PLAN**



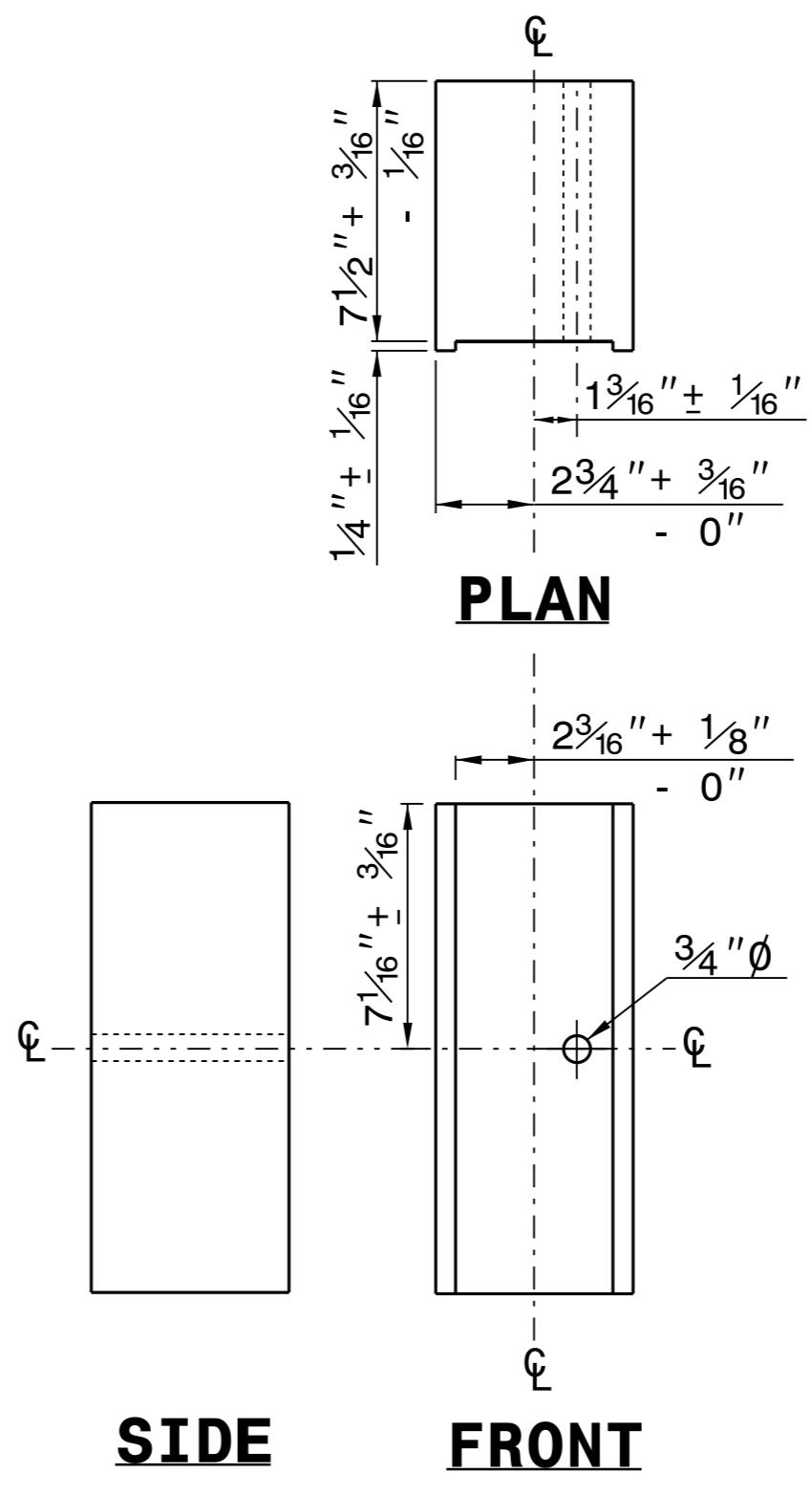
**WOOD OFFSET BLOCK  
(FOR WOOD POSTS)**

**STANDARD  
LINE POST**

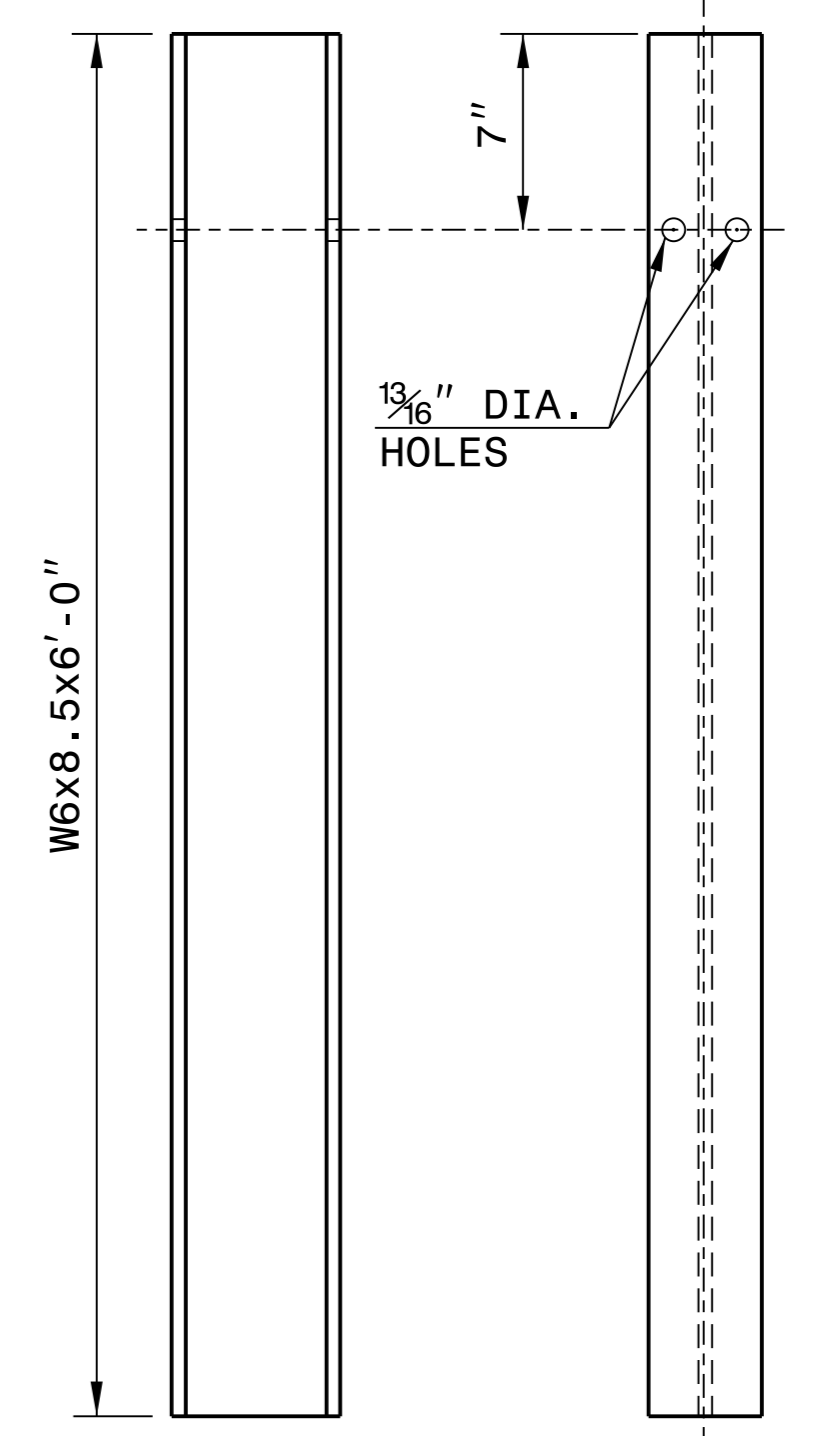
**SHORT WOOD  
BREAKAWAY POST**



**STEEL TUBE  
TS 6"x8"x0.1875"**



**ROUTED  
OFFSET BLOCK**



**"W6" STEEL POST**

**SYSTEM PARTS**

STATE OF NORTH CAROLINA  
DEPT. OF TRANSPORTATION  
DIVISION OF HIGHWAYS  
RALEIGH, N.C.

ROADWAY DETAIL DRAWING FOR  
**GUARDRAIL INSTALLATION**

SHEET 6 OF 8  
**862D02**



DocuSigned by:  
Ronald Elton Davenport, Jr.  
4/11/2022

**CONTRACTS STANDARDS  
AND DEVELOPMENT UNIT**  
Office 919-707-6950 FAX 919-250-4119

**SEE TITLE BLOCK**

ORIGINAL BY: J. HOWERTON	DATE: 3-7-2018
MODIFIED BY:	DATE:
CHECKED BY:	DATE:
FILE SPEC.:	