

**This electronic collection of documents is provided
for the convenience of the user
and is Not a Certified Document –**

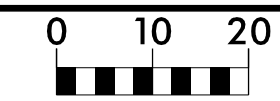
**The documents contained herein were originally issued
and sealed by the individuals whose names and license
numbers appear on each page, on the dates appearing
with their signature on that page.**

**This file or an individual page
shall not be considered a certified document.**

INDEX OF CROSS SECTIONS

<u>ALIGNMENT</u>	<u>STATION TO STATION</u>	<u>SHEET NO.</u>
-L-	STA. 14+50.00 TO STA. 30+05.22	X-2 TO X-14
-DET-	STA. 14+50.00 TO STA. 30+20.00	X-15 TO X-28

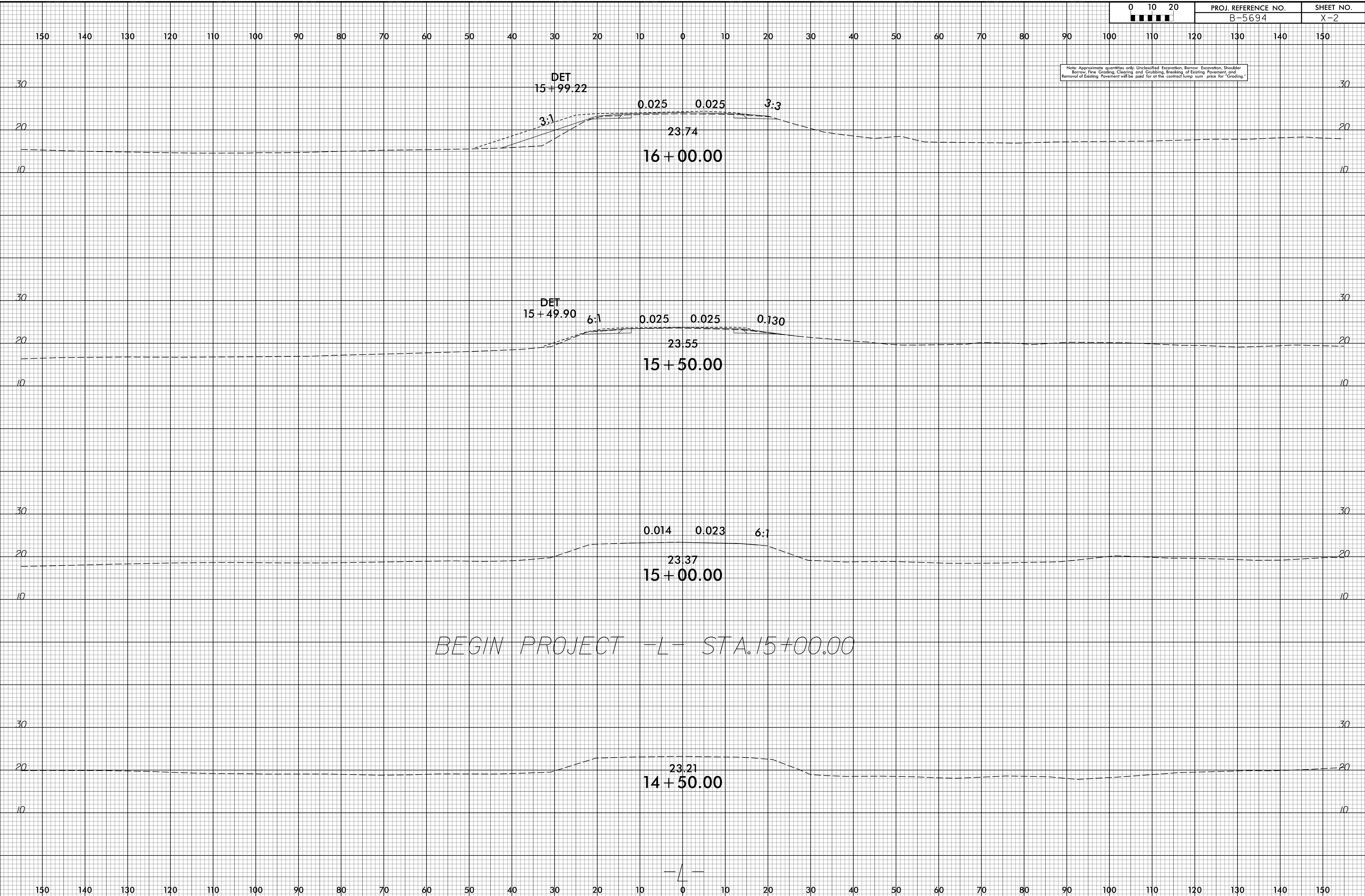
6/23/16



PROJ. REFERENCE NO.
B-5694

SHEET NO.
X-2

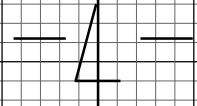
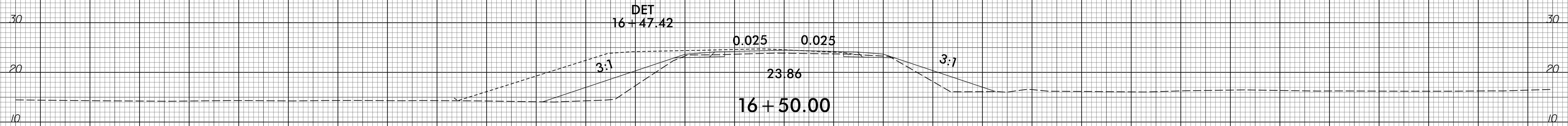
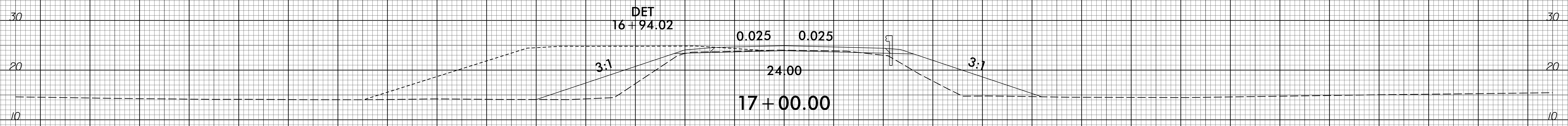
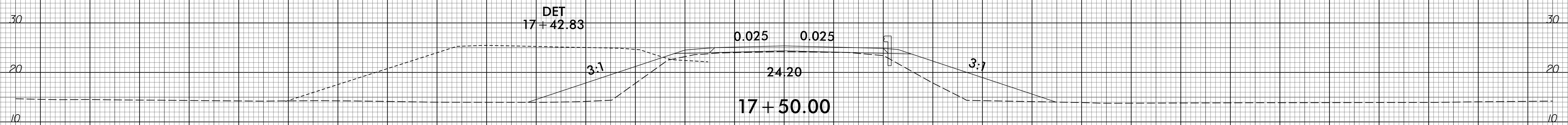
Note: Approximate quantities only. Unclassified Excavation, Borrow Excavation, Shoulder
Borrow, Fine Grading, Clearing and Grubbing, Breaking of Existing Pavement, and
Removal of Existing Pavement will be paid for at the contract lump sum price for "Grading."



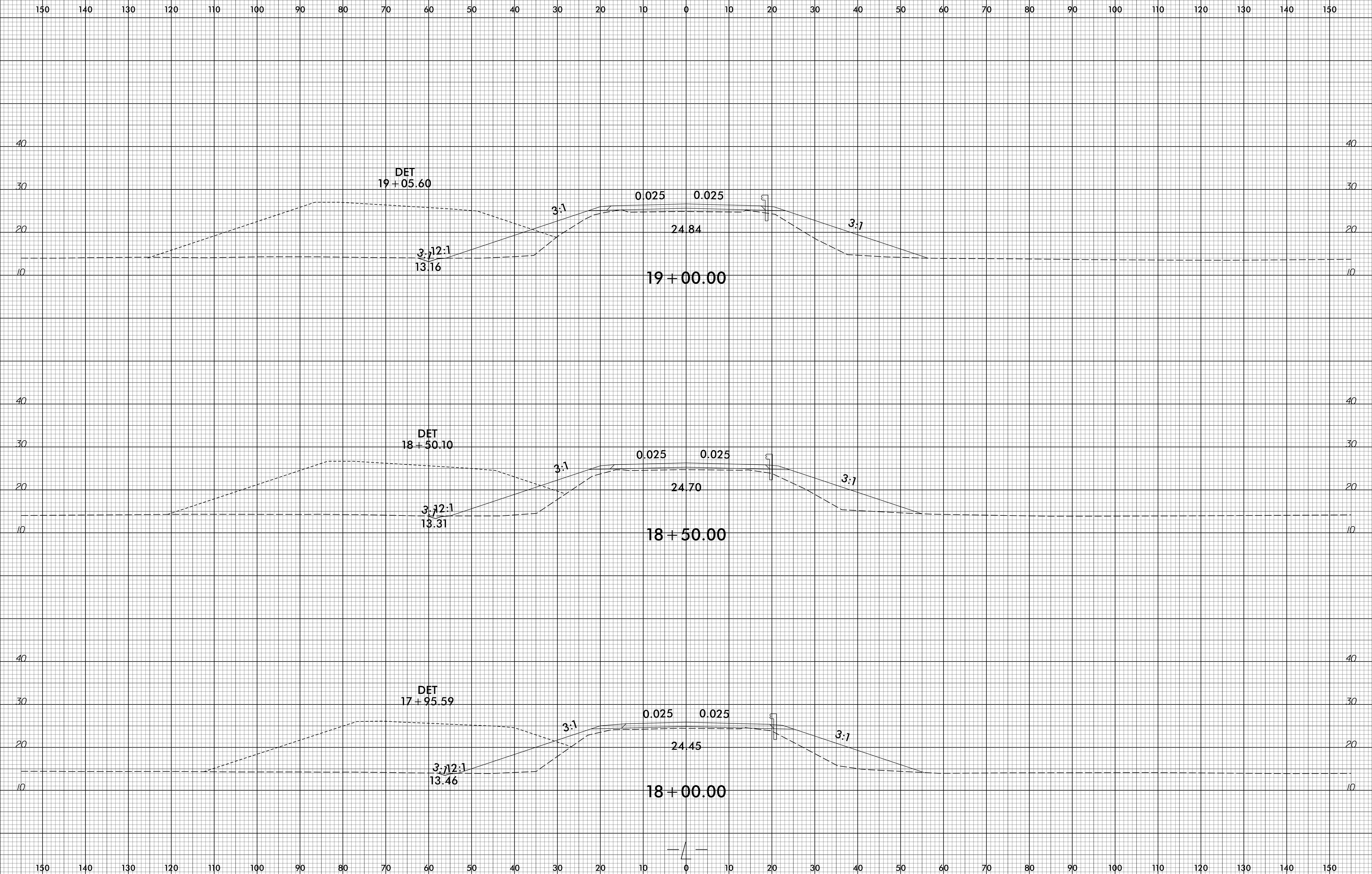
BEGIN PROJECT -L- STA. 15+00.00

04-FEB-2022 15:42
 \\P01810100194512
 B-5694\Roadway\CorridorModeling\B-5694_Rdy_xpl.dgn

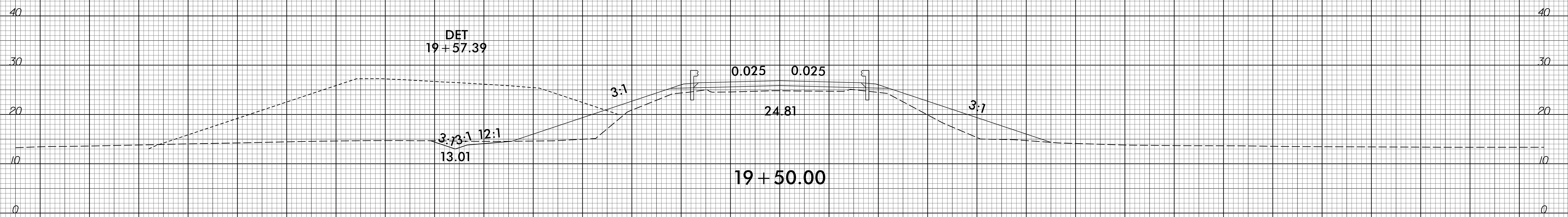
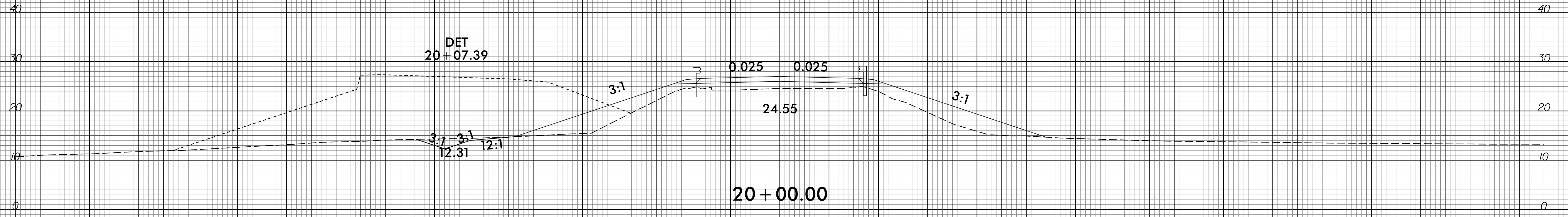
150 140 130 120 110 100 90 80 70 60 50 40 30 20 10 0 10 20 30 40 50 60 70 80 90 100 110 120 130 140 150



150 140 130 120 110 100 90 80 70 60 50 40 30 20 10 0 10 20 30 40 50 60 70 80 90 100 110 120 130 140 150

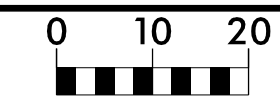


150 140 130 120 110 100 90 80 70 60 50 40 30 20 10 0 10 20 30 40 50 60 70 80 90 100 110 120 130 140 150



150 140 130 120 110 100 90 80 70 60 50 40 30 20 10 0 10 20 30 40 50 60 70 80 90 100 110 120 130 140 150

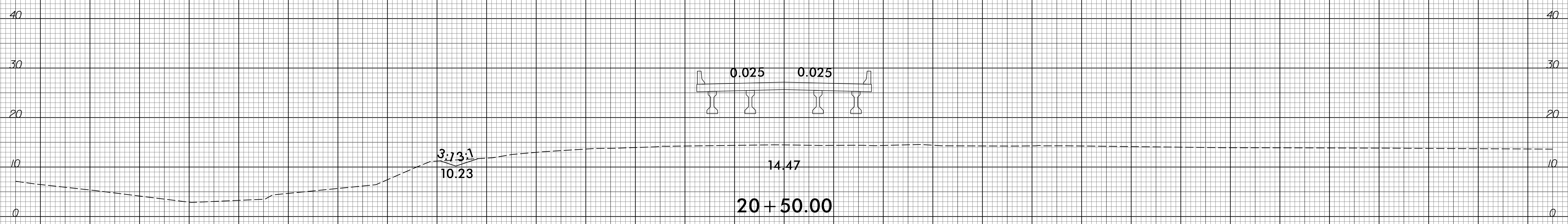
6/23/16



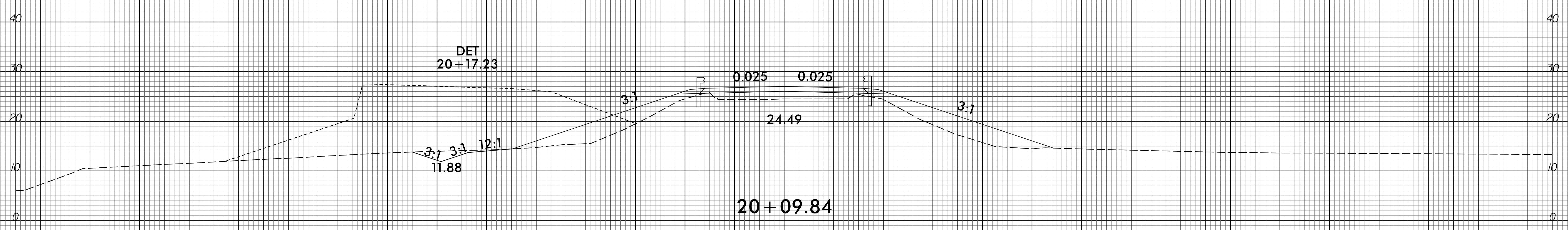
PROJ. REFERENCE NO.
B-5694

SHEET NO.
X-6

150 140 130 120 110 100 90 80 70 60 50 40 30 20 10 0 10 20 30 40 50 60 70 80 90 100 110 120 130 140 150

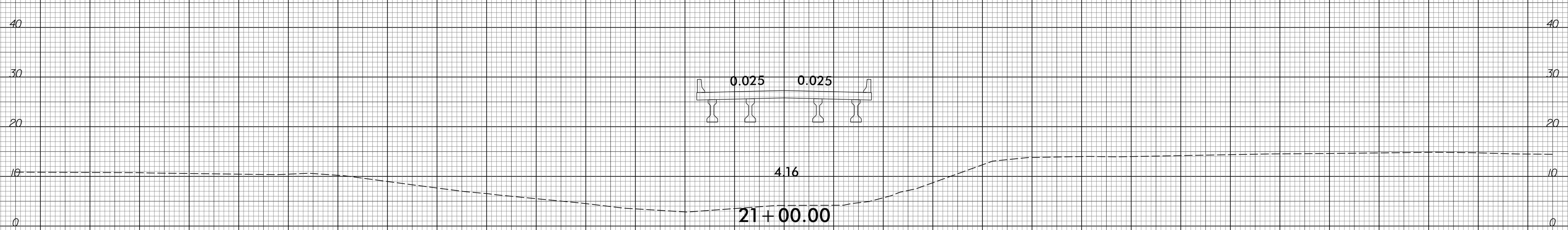
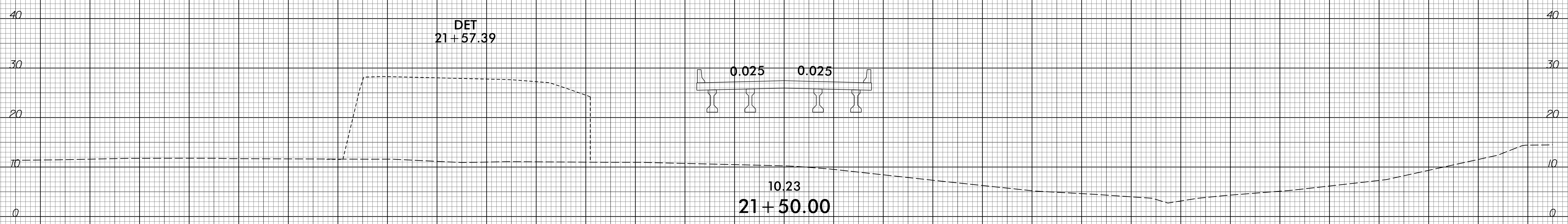


BEGIN BRIDGE -L- STA. 20+09.85



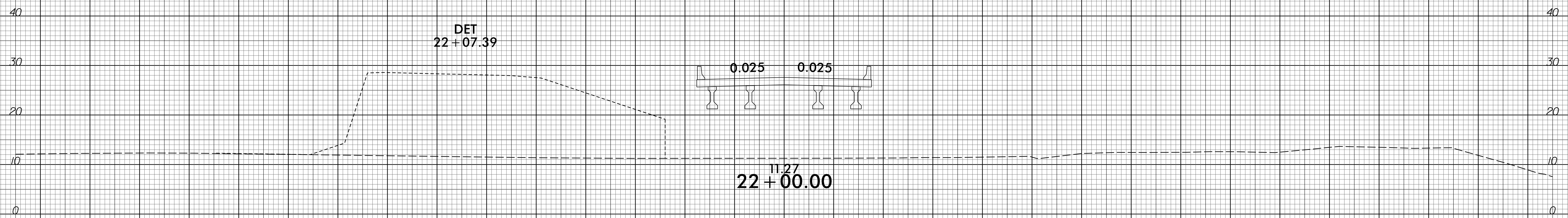
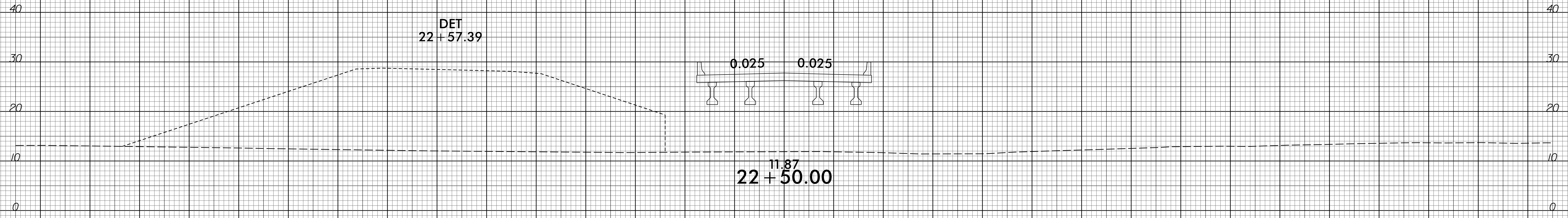
04-FEB-2022 15:42
X:\2018\1801945\12
B-5694\Roadway\CorridorModeling\B-5694_Rdy_xpl.dgn

150 140 130 120 110 100 90 80 70 60 50 40 30 20 10 0 10 20 30 40 50 60 70 80 90 100 110 120 130 140 150

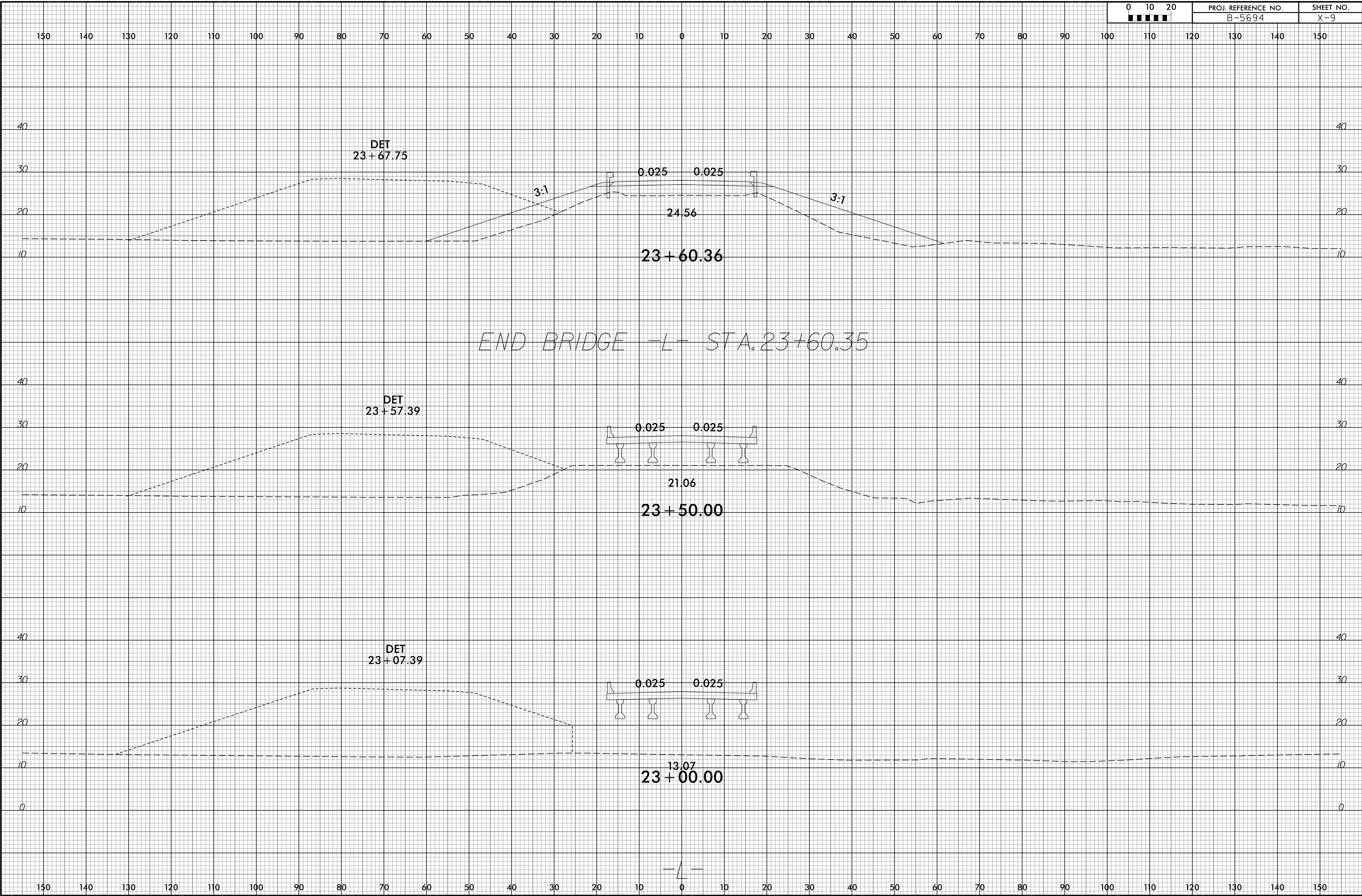


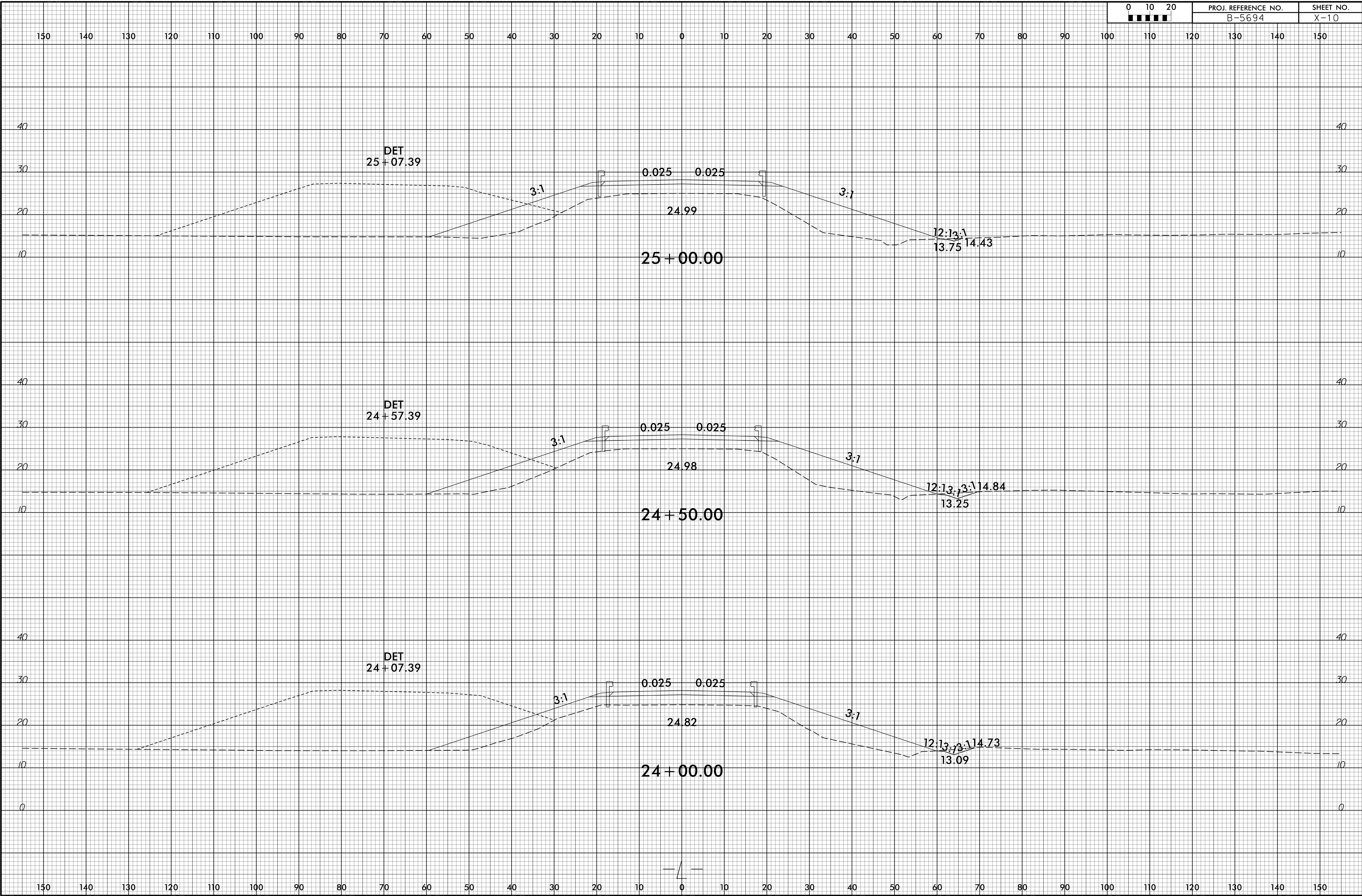
150 140 130 120 110 100 90 80 70 60 50 40 30 20 10 0 10 20 30 40 50 60 70 80 90 100 110 120 130 140 150

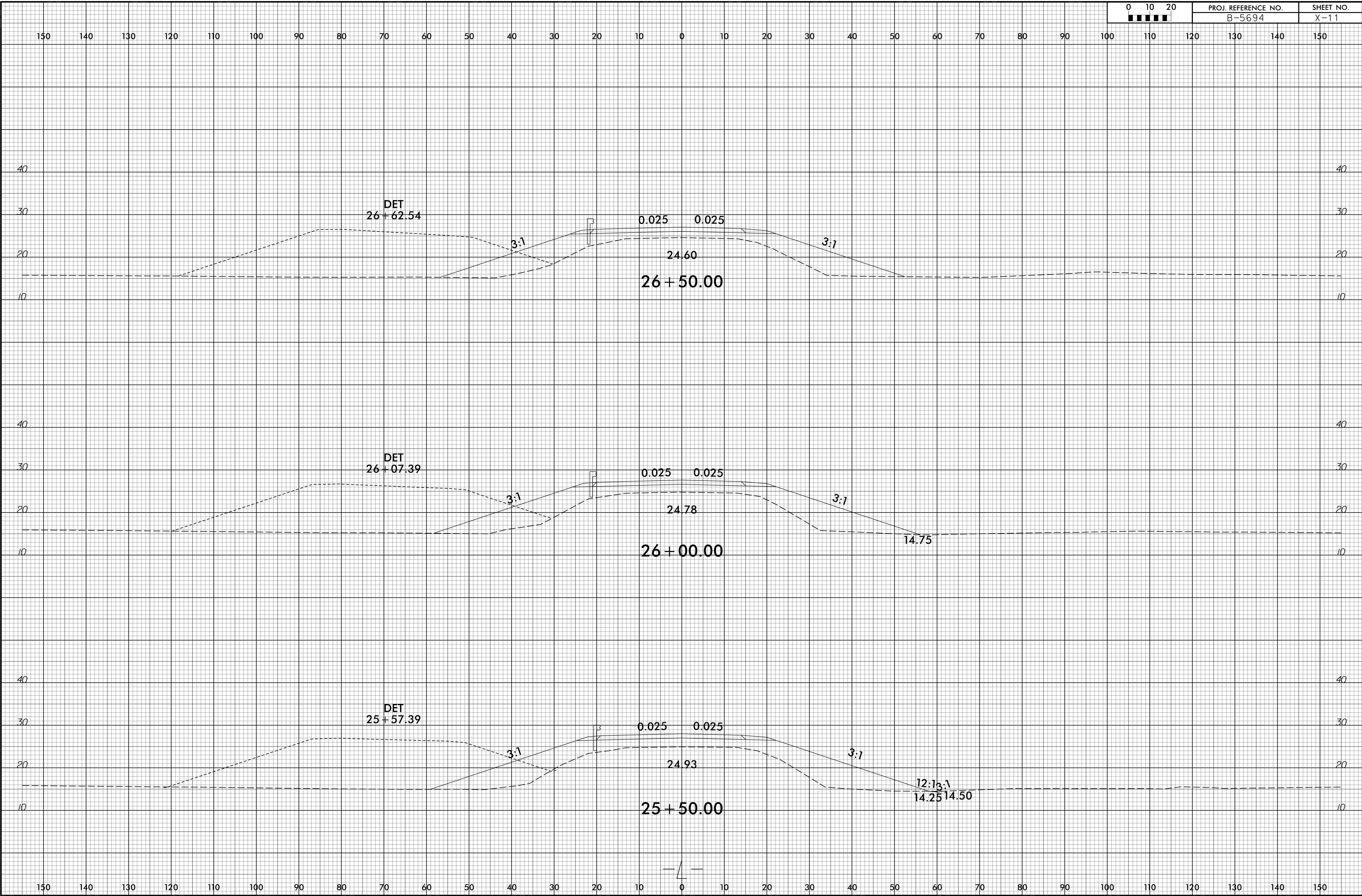
150 140 130 120 110 100 90 80 70 60 50 40 30 20 10 0 10 20 30 40 50 60 70 80 90 100 110 120 130 140 150



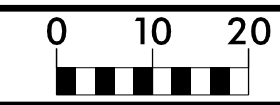
150 140 130 120 110 100 90 80 70 60 50 40 30 20 10 0 10 20 30 40 50 60 70 80 90 100 110 120 130 140 150





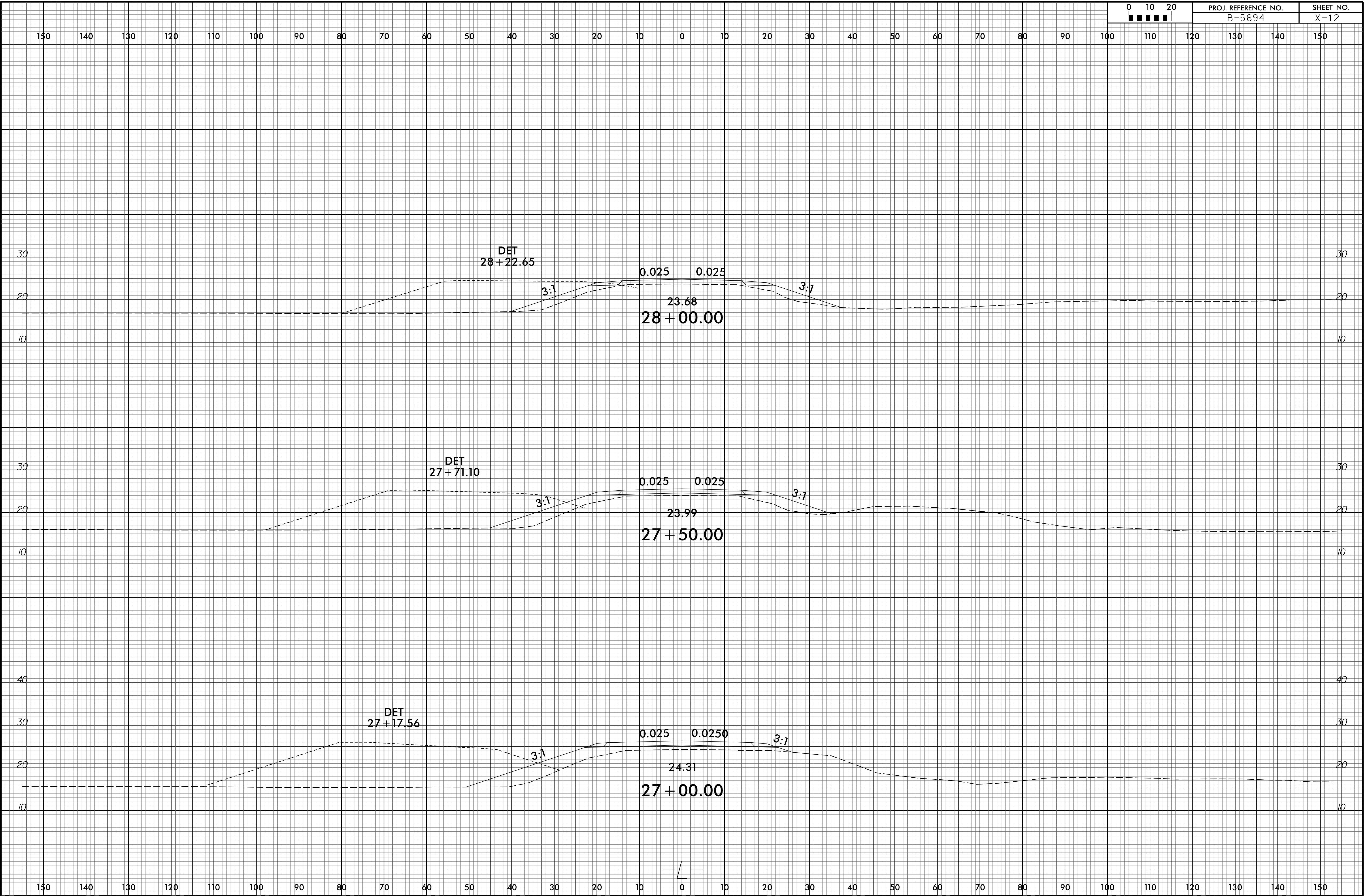


6/23/16

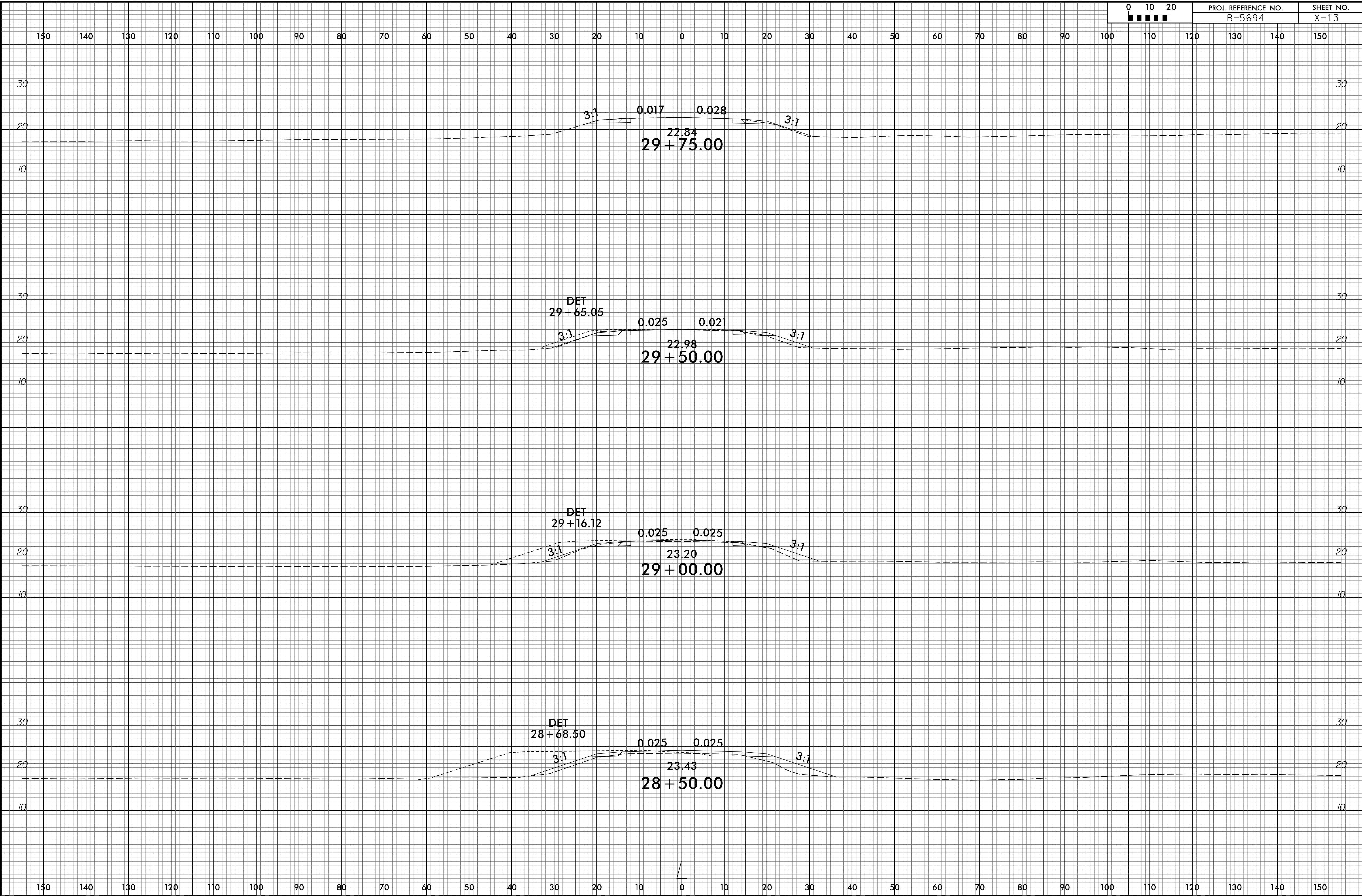


PROJ. REFERENCE NO.
B-5694

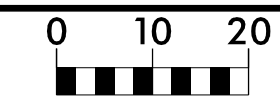
SHEET NO.
X-12



04-FEB-2022 15:42
 \\P0181\X\1801945\12
 B-5694\Roadway\CorridorModeling\B-5694_Rdwy_xpl.dgn



6/23/16

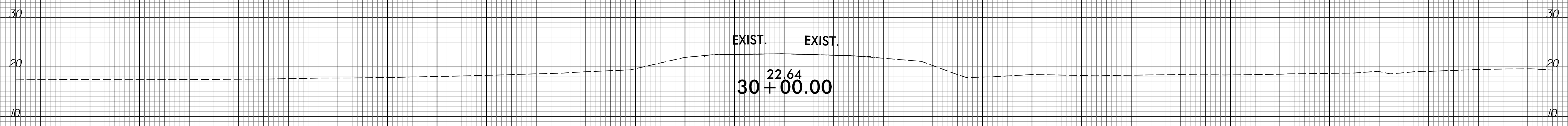
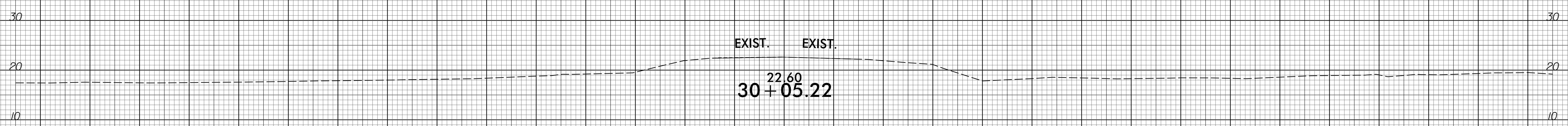


PROJ. REFERENCE NO.
B-5694

SHEET NO.
X-14

150 140 130 120 110 100 90 80 70 60 50 40 30 20 10 0 10 20 30 40 50 60 70 80 90 100 110 120 130 140 150

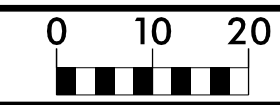
END PROJECT -L- STA. 30+05.22



150 140 130 120 110 100 90 80 70 60 50 40 30 20 10 0 10 20 30 40 50 60 70 80 90 100 110 120 130 140 150

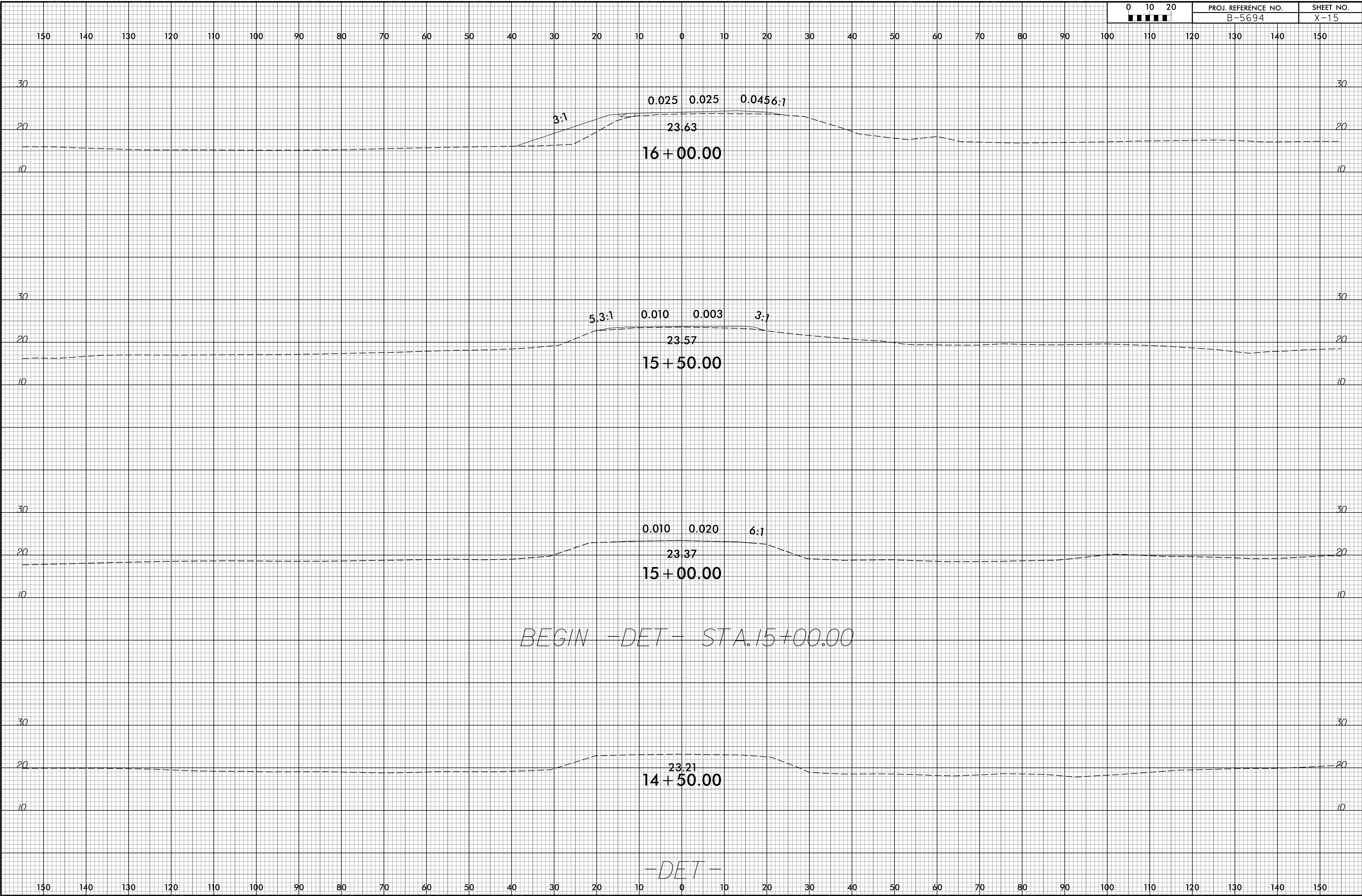
04-FEB-2022 15:42
X:\2018\1801945\12 B-5694\Roadway\CorridorModeling\B-5694_Rdwy_xpl.dgn

6/23/16



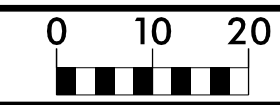
PROJ. REFERENCE NO.
B-5694

SHEET NO.
X-15



04-FEB-2022 15:42
 \\s0181\work\1801945\12
 B-5694\Roadway\CorridorModeling\B-5694_Rdwy_det_xpl.dgn

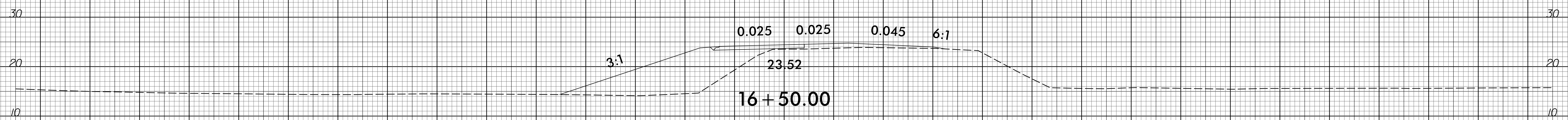
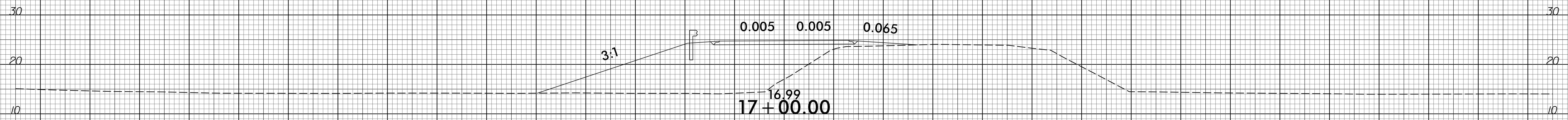
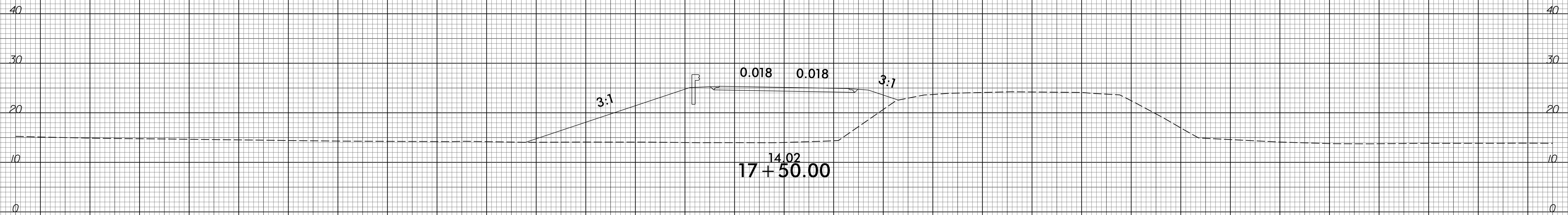
6/23/16



PROJ. REFERENCE NO.
B-5694

SHEET NO.
X-16

150 140 130 120 110 100 90 80 70 60 50 40 30 20 10 0 10 20 30 40 50 60 70 80 90 100 110 120 130 140 150

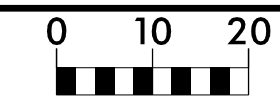


-DET-

150 140 130 120 110 100 90 80 70 60 50 40 30 20 10 0 10 20 30 40 50 60 70 80 90 100 110 120 130 140 150

04-FEB-2022 15:42
X:\2018\1801945\12
B-5694\Roadway\CorridorModeling\B-5694_Rdwy_det_xpl.dgn

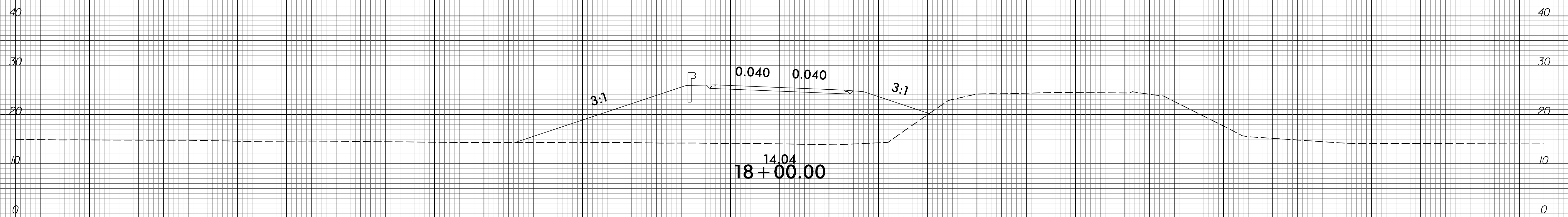
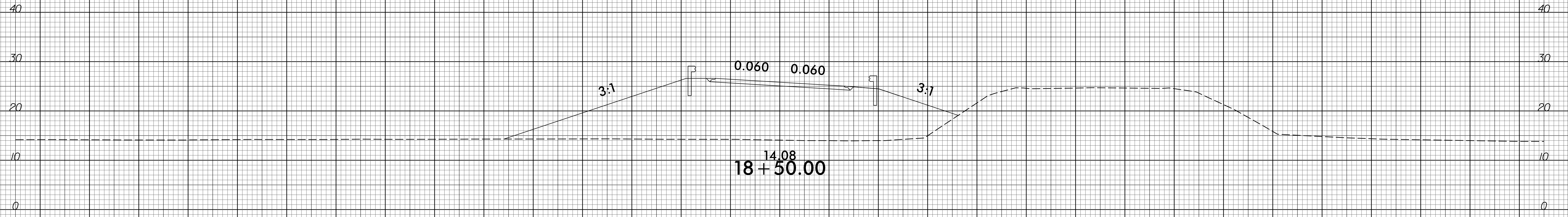
6/23/16



PROJ. REFERENCE NO.
B-5694

SHEET NO.
X-17

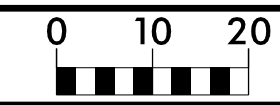
150 140 130 120 110 100 90 80 70 60 50 40 30 20 10 0 10 20 30 40 50 60 70 80 90 100 110 120 130 140 150



-DET-

04-FEB-2022 15:42
X:\2018\1801945\12 B-5694\Roadway\CorridorModeling\B-5694_Rdy_det_xpl.dgn

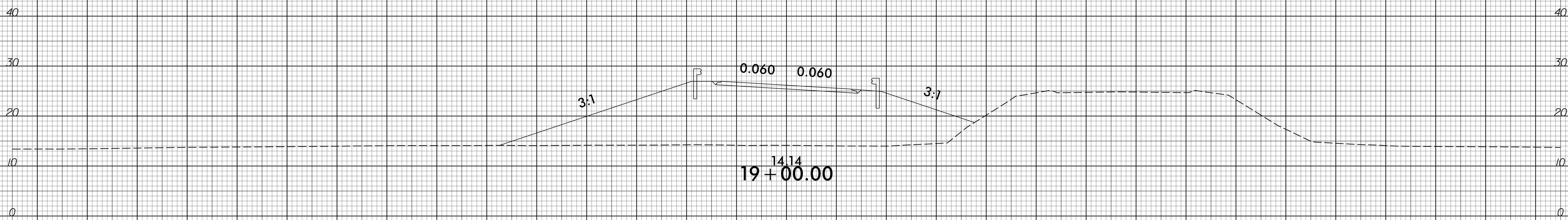
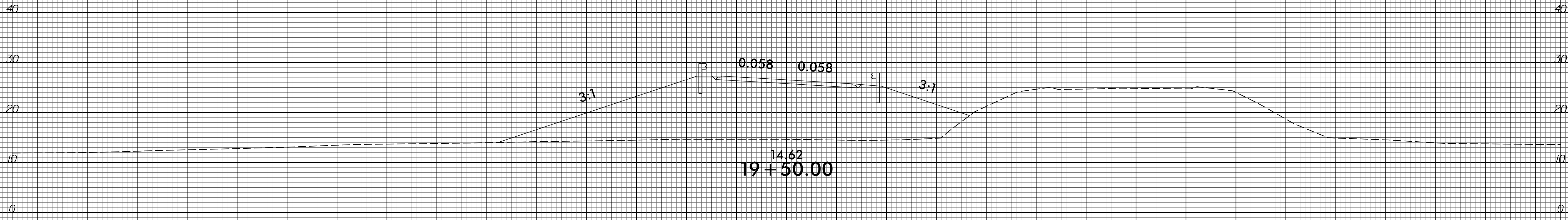
6/23/16



PROJ. REFERENCE NO.
B-5694

SHEET NO.
X-18

150 140 130 120 110 100 90 80 70 60 50 40 30 20 10 0 10 20 30 40 50 60 70 80 90 100 110 120 130 140 150



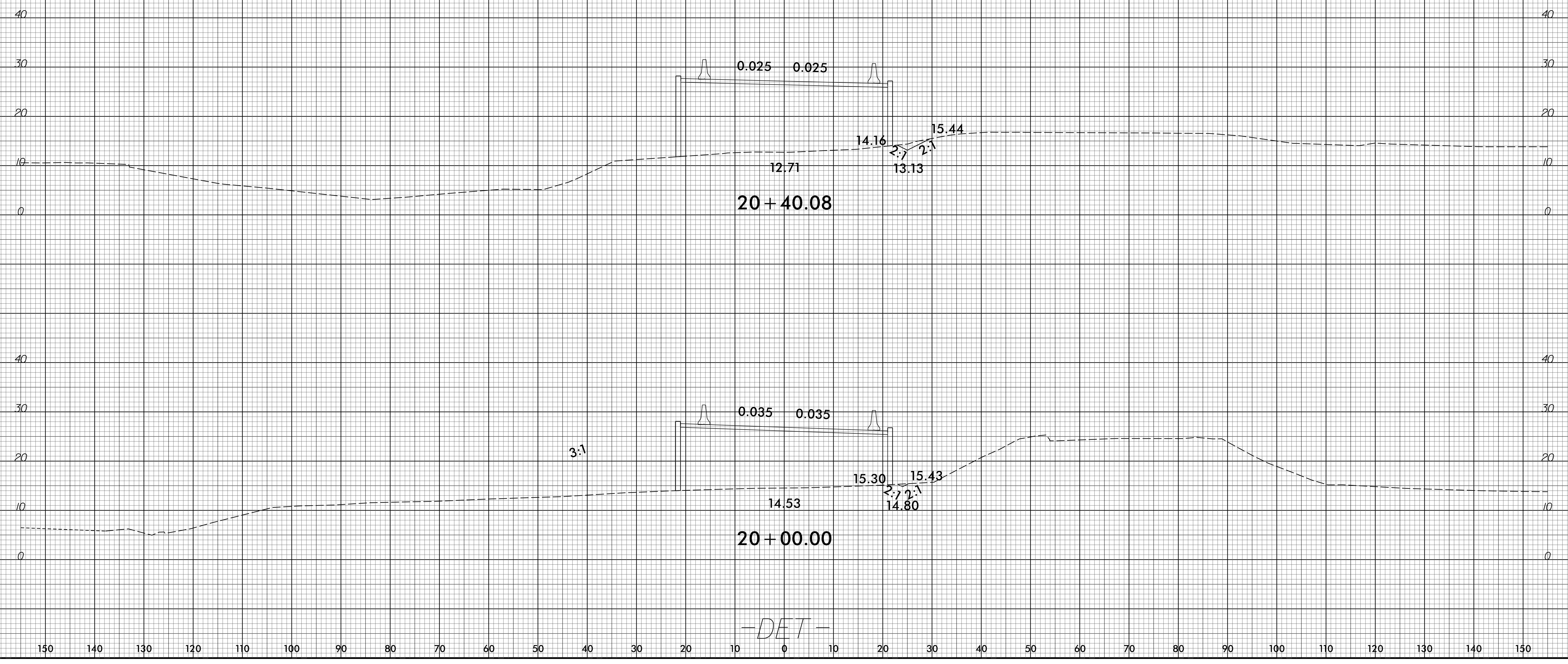
-DET-

04-FEB-2022 15:42
X:\2018\1801945\12 B-5694\Roadway\CorridorModeling\B-5694_Rdy_det_xpl.dgn

6/23/16

150 140 130 120 110 100 90 80 70 60 50 40 30 20 10 0 10 20 30 40 50 60 70 80 90 100 110 120 130 140 150

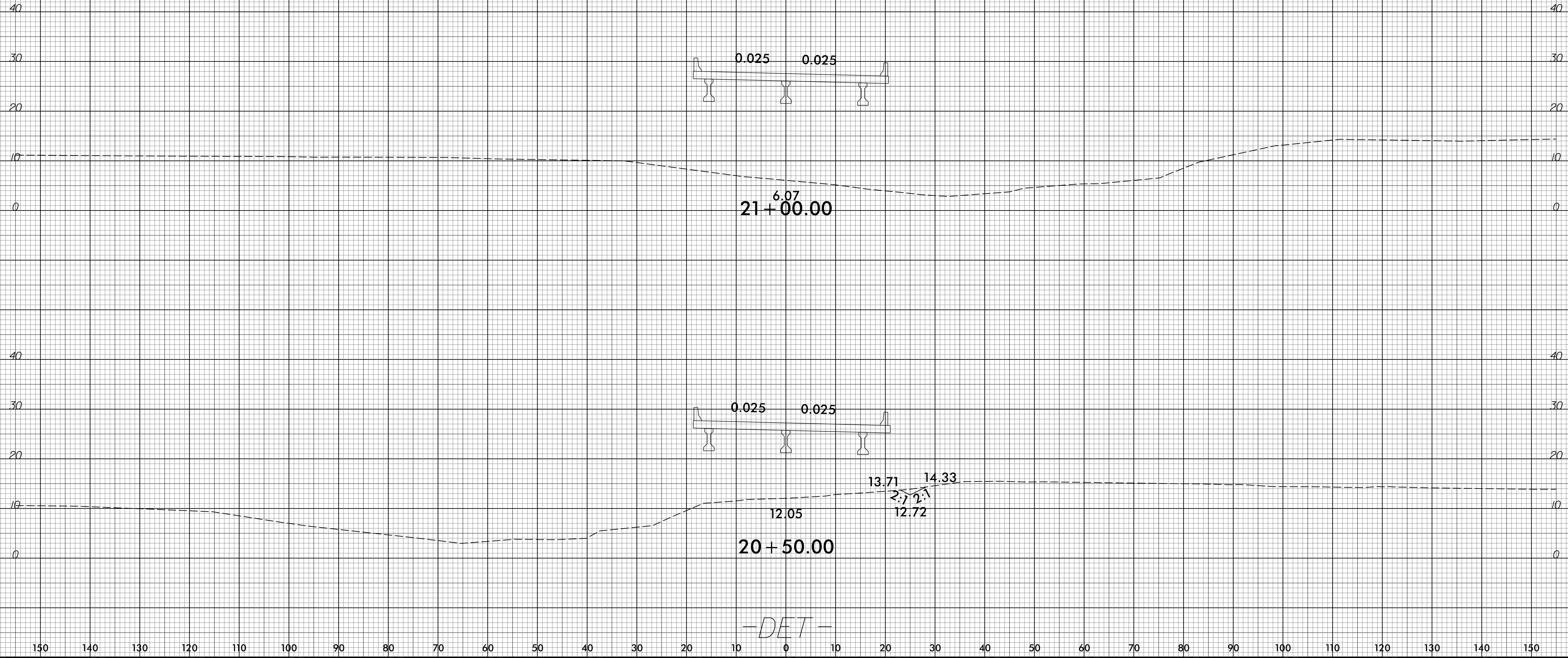
BEGIN BRIDGE -DET- STA. 20+40.09



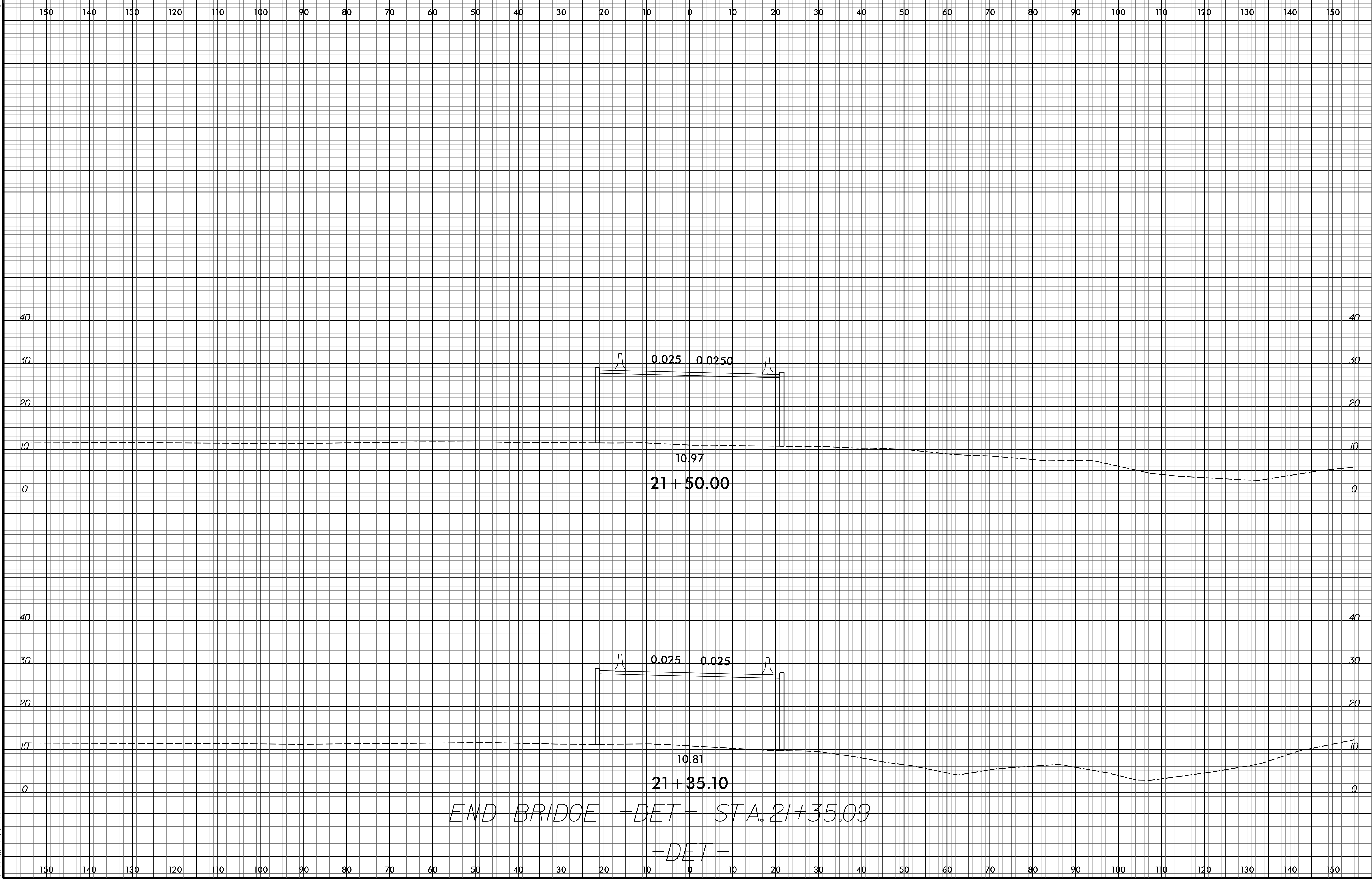
07-MAR-2022 15:27
 M:\2018\25180154512 B-5694\Roadway\CorridorModeling\B-5694_RdJ_det_xpl.dgn
 \$\$\$USERNAME\$\$\$

-DET-

150 140 130 120 110 100 90 80 70 60 50 40 30 20 10 0 10 20 30 40 50 60 70 80 90 100 110 120 130 140 150

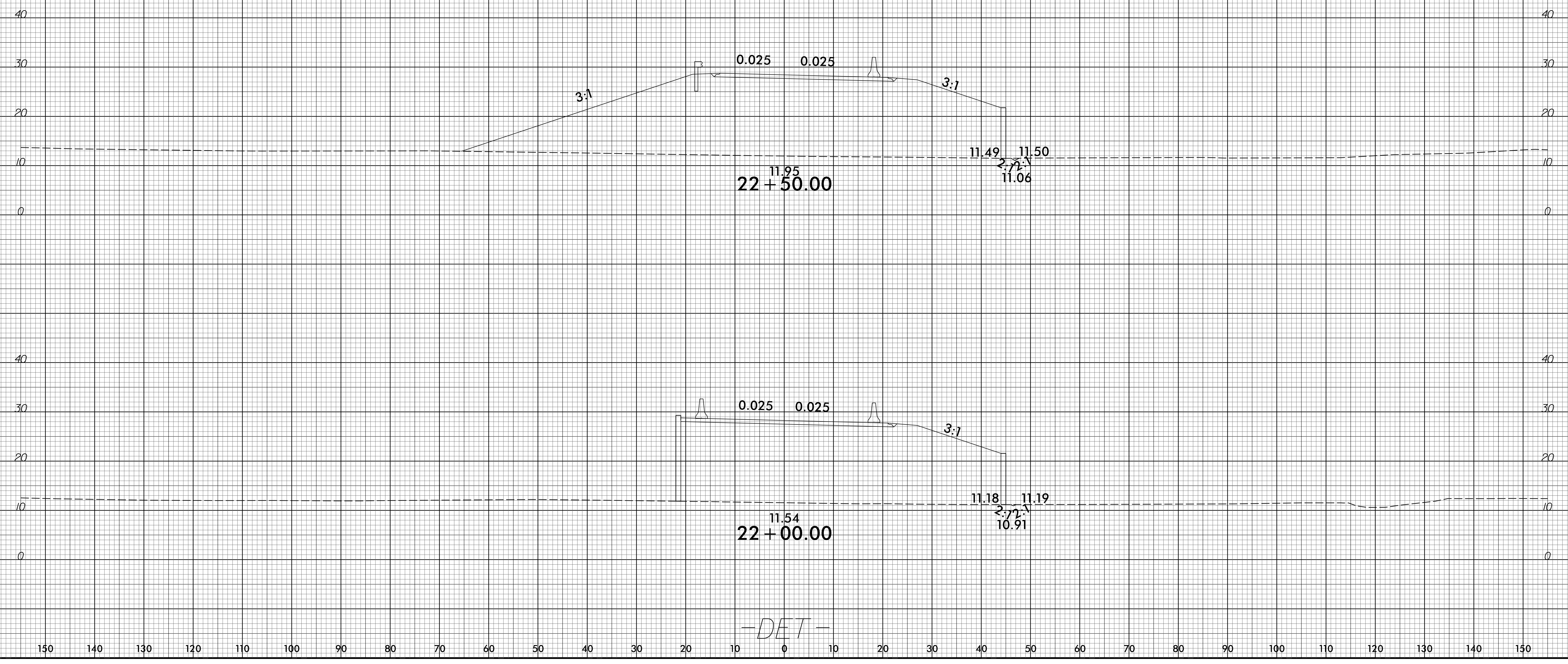


6/23/16

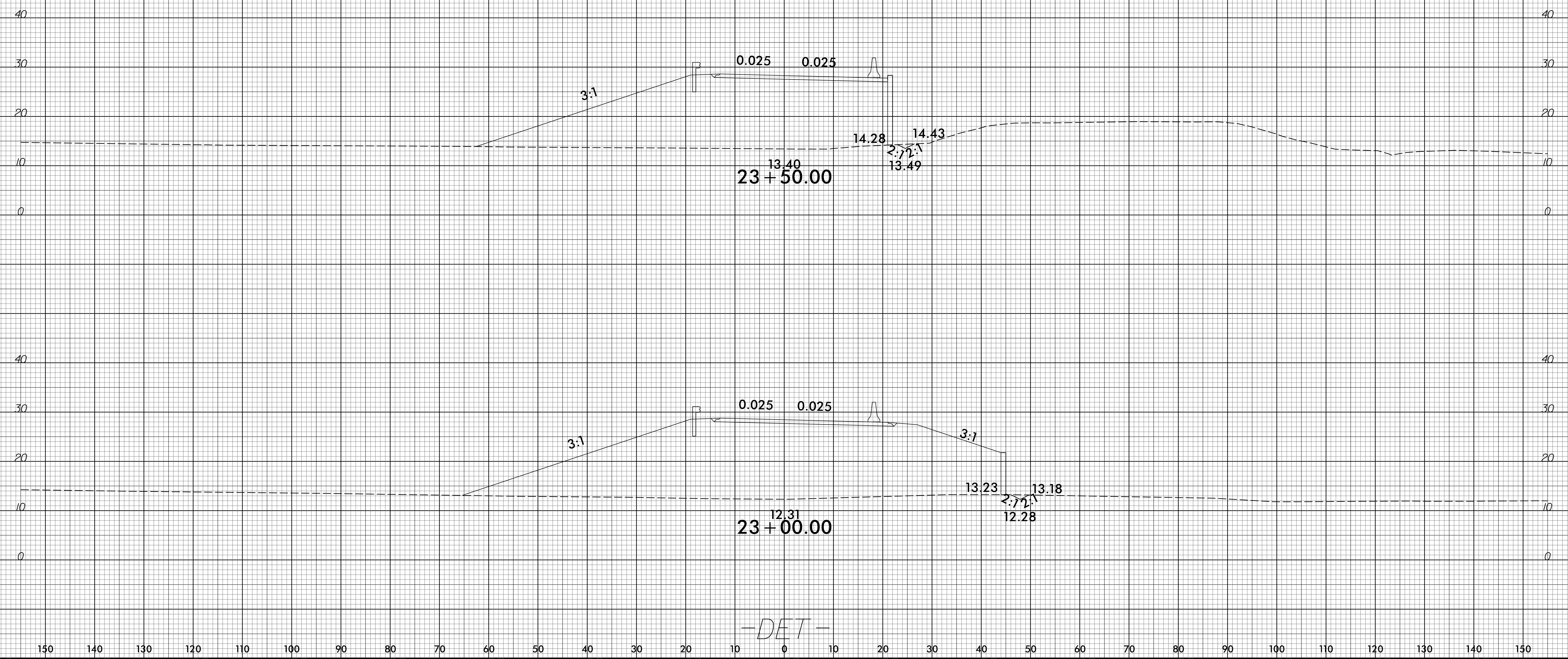


07-MAR-2022 15:22
M:\2018\251801512 B-5694\Roadway\CorridorModeling\B-5694_RdJ_det_xpl.dgn
\$\$\$\$\$USERNAME\$\$\$\$\$

150 140 130 120 110 100 90 80 70 60 50 40 30 20 10 0 10 20 30 40 50 60 70 80 90 100 110 120 130 140 150



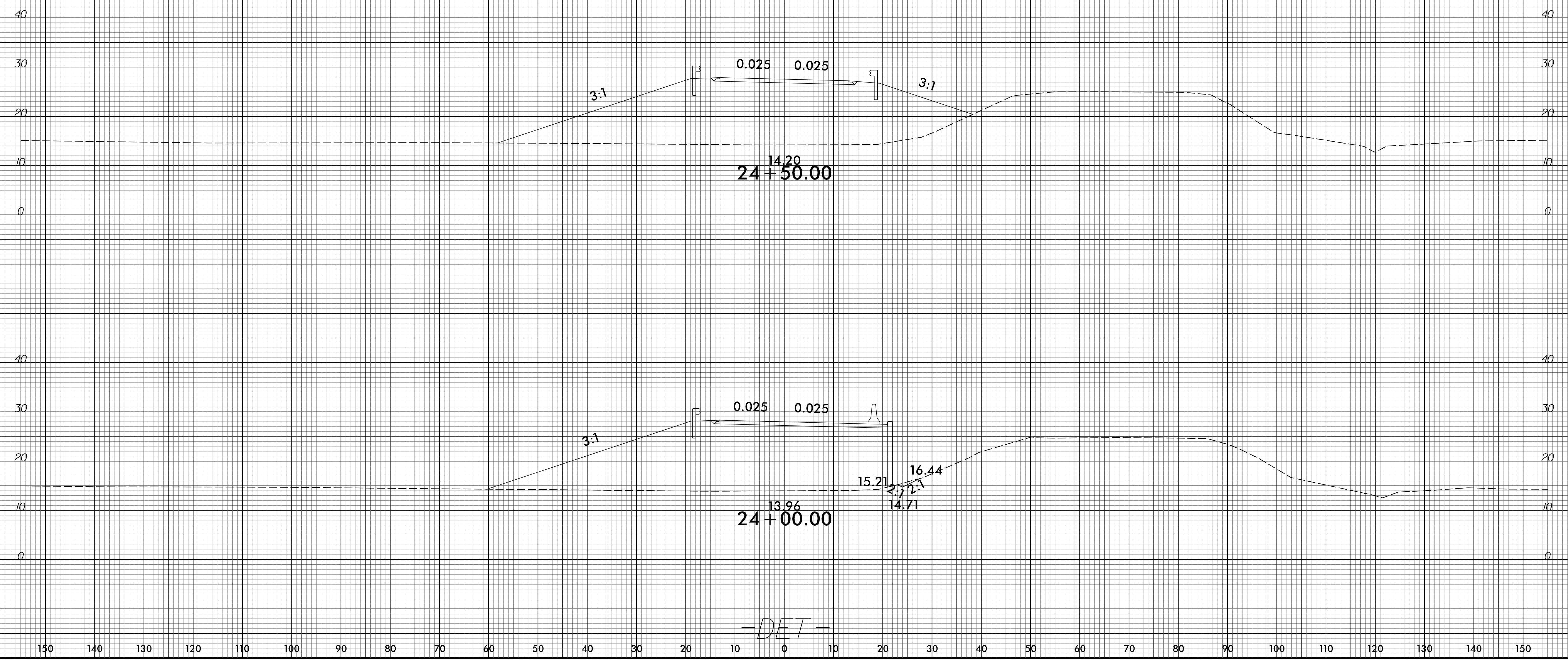
150 140 130 120 110 100 90 80 70 60 50 40 30 20 10 0 10 20 30 40 50 60 70 80 90 100 110 120 130 140 150



-DET-

6/23/16

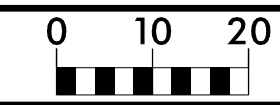
150 140 130 120 110 100 90 80 70 60 50 40 30 20 10 0 10 20 30 40 50 60 70 80 90 100 110 120 130 140 150



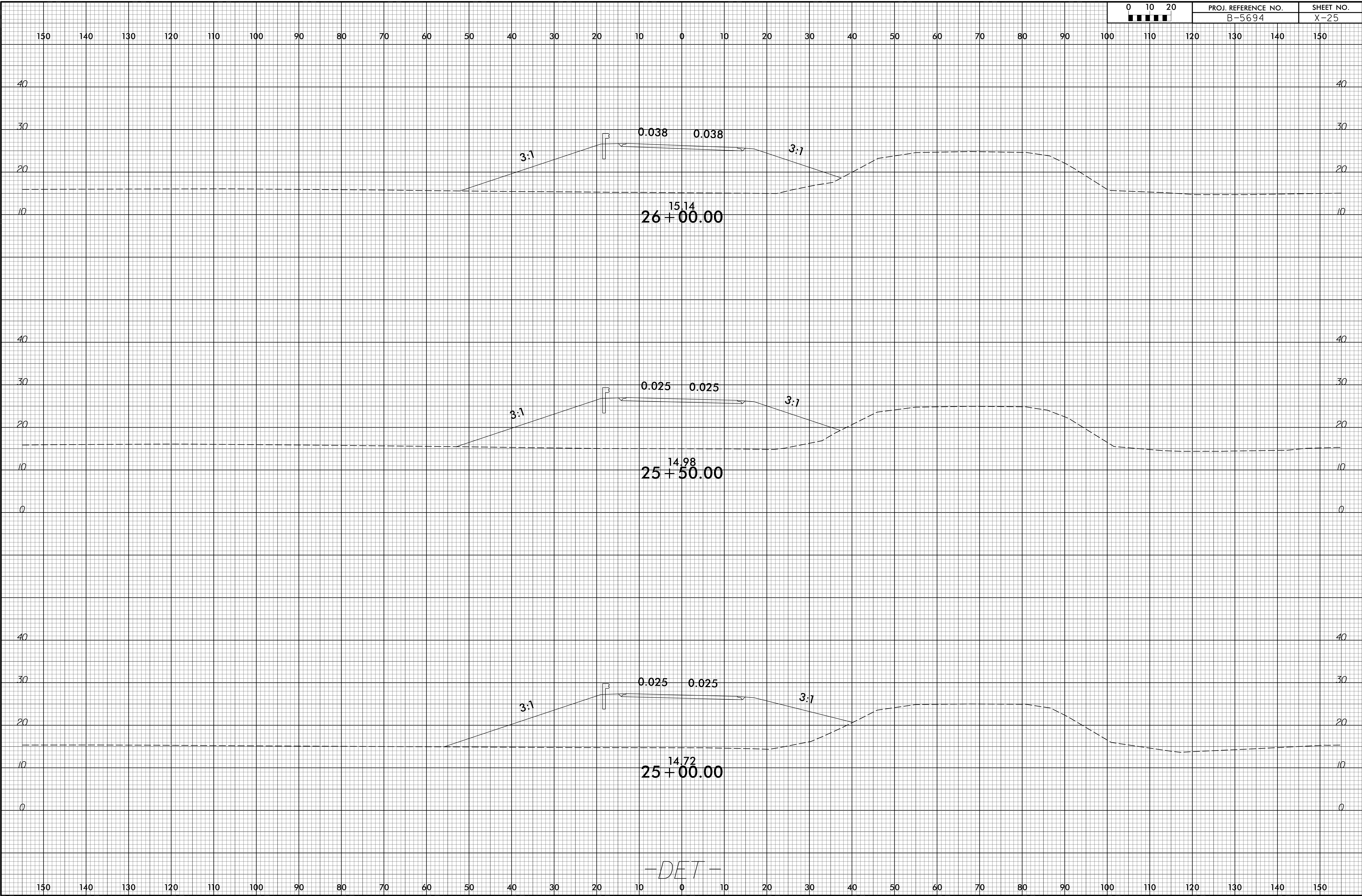
07-MAR-2022 15:02
 M:\2018\2518019\1512 B-5694\Roadway\CorridorModeling\B-5694_RdJ_det_xpl.dgn
 \$\$\$USERNAME\$\$\$

-DET-

6/23/16

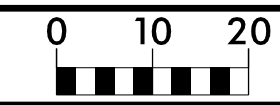


PROJ. REFERENCE NO.	SHEET NO.
B-5694	X-25

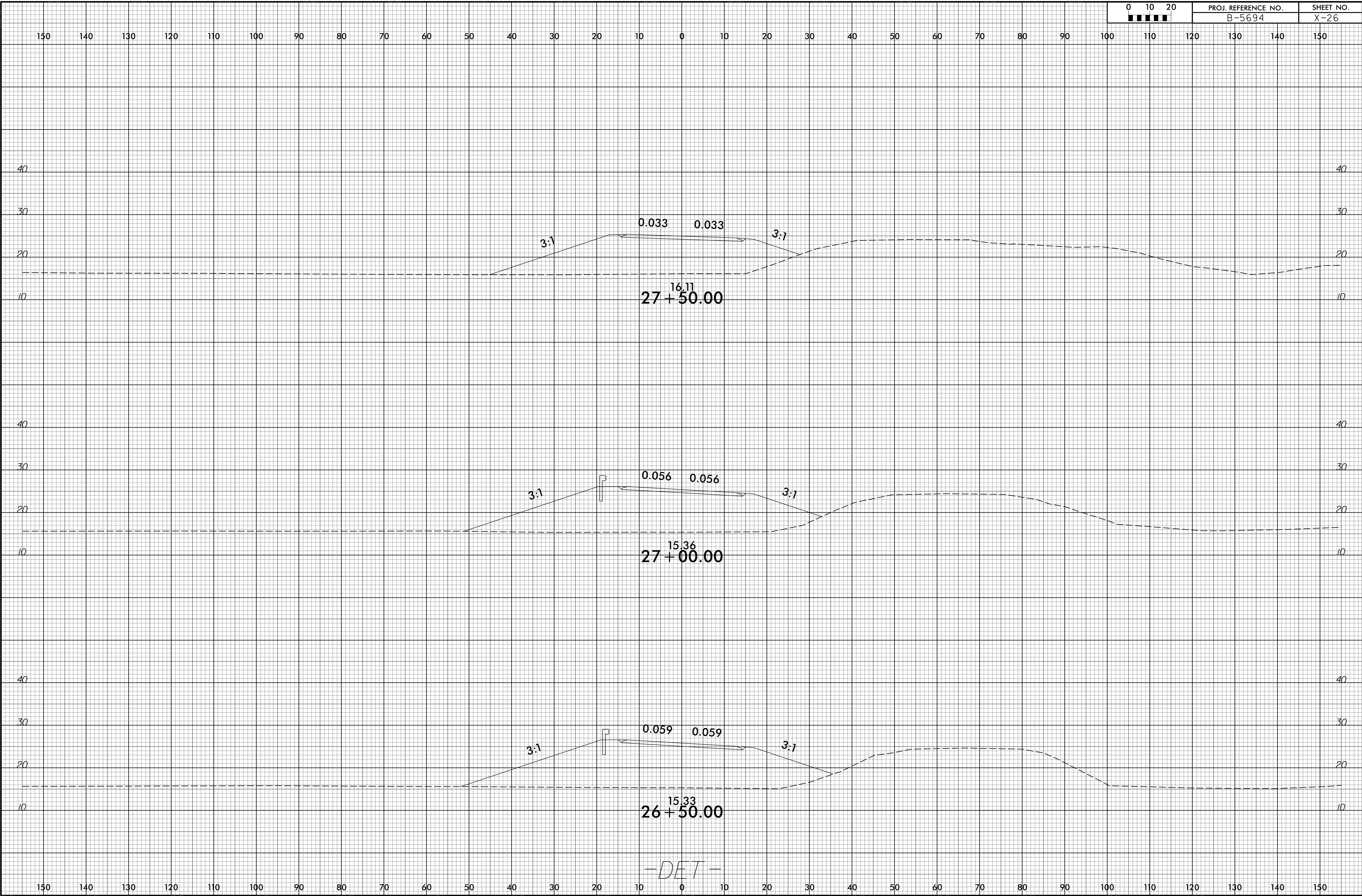


04-FEB-2022 15:43
 \\P0181\1\20194512 B-5694\Roadway\CorridorModeling\B-5694_Rdy_det_xpl.dgn
 8880521416938

6/23/16



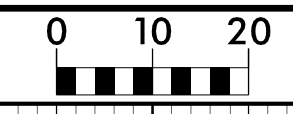
PROJ. REFERENCE NO.	SHEET NO.
B-5694	X-26



-DET-

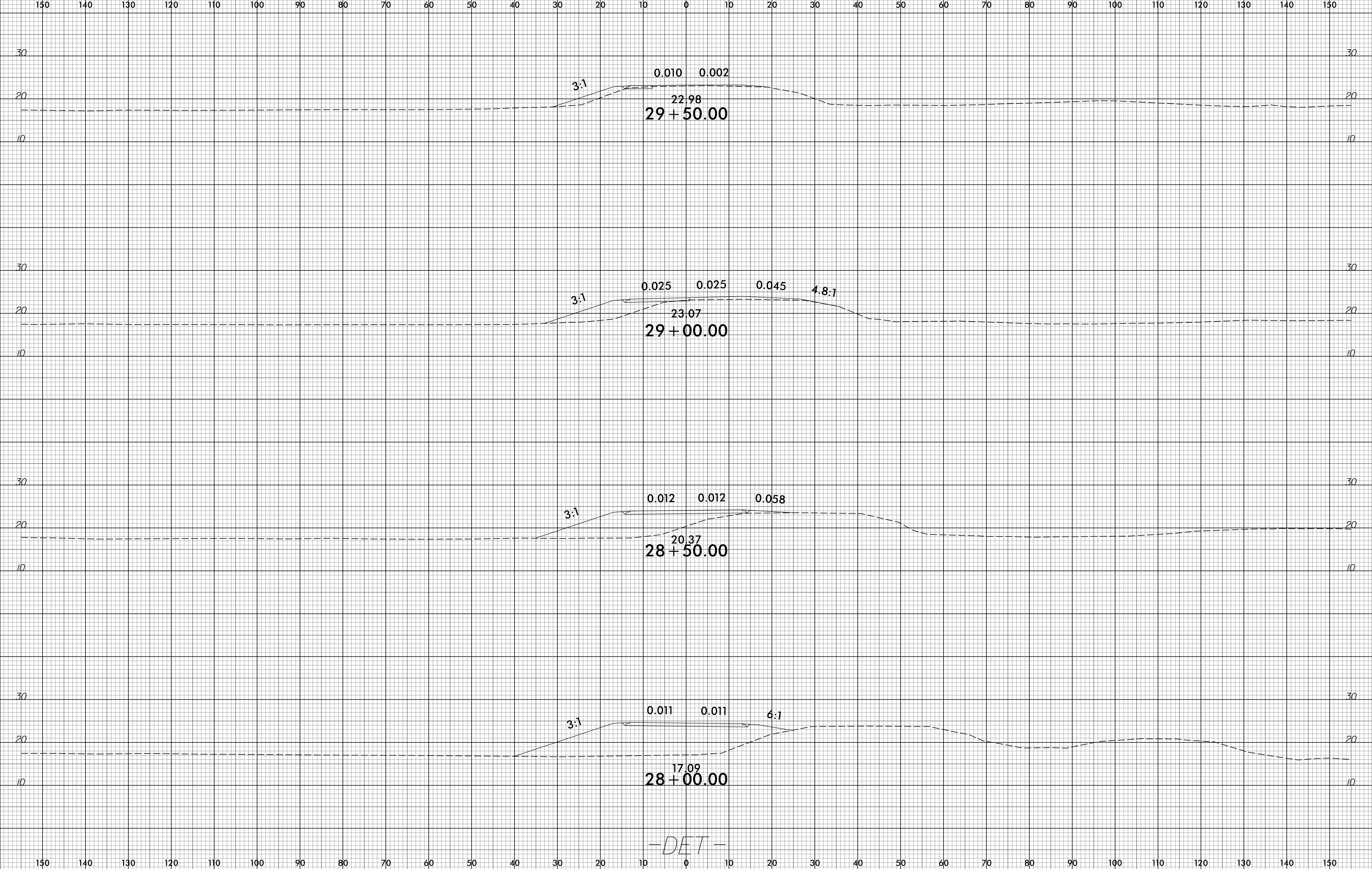
07-FEB-2022 10:35
 \\s0181\work\1801945\12
 B-5694\Roadway\CorridorModeling\B-5694_Rdy_det_xpl.dgn

6/23/16



PROJ. REFERENCE NO.
B-5694

SHEET NO.
X-27



-DET-

07-FEB-2022 10:35
 \\P0187\201801945_12
 B-5694\Roadway\CorridorModeling\B-5694_Rdwy_det_xpl.dgn

