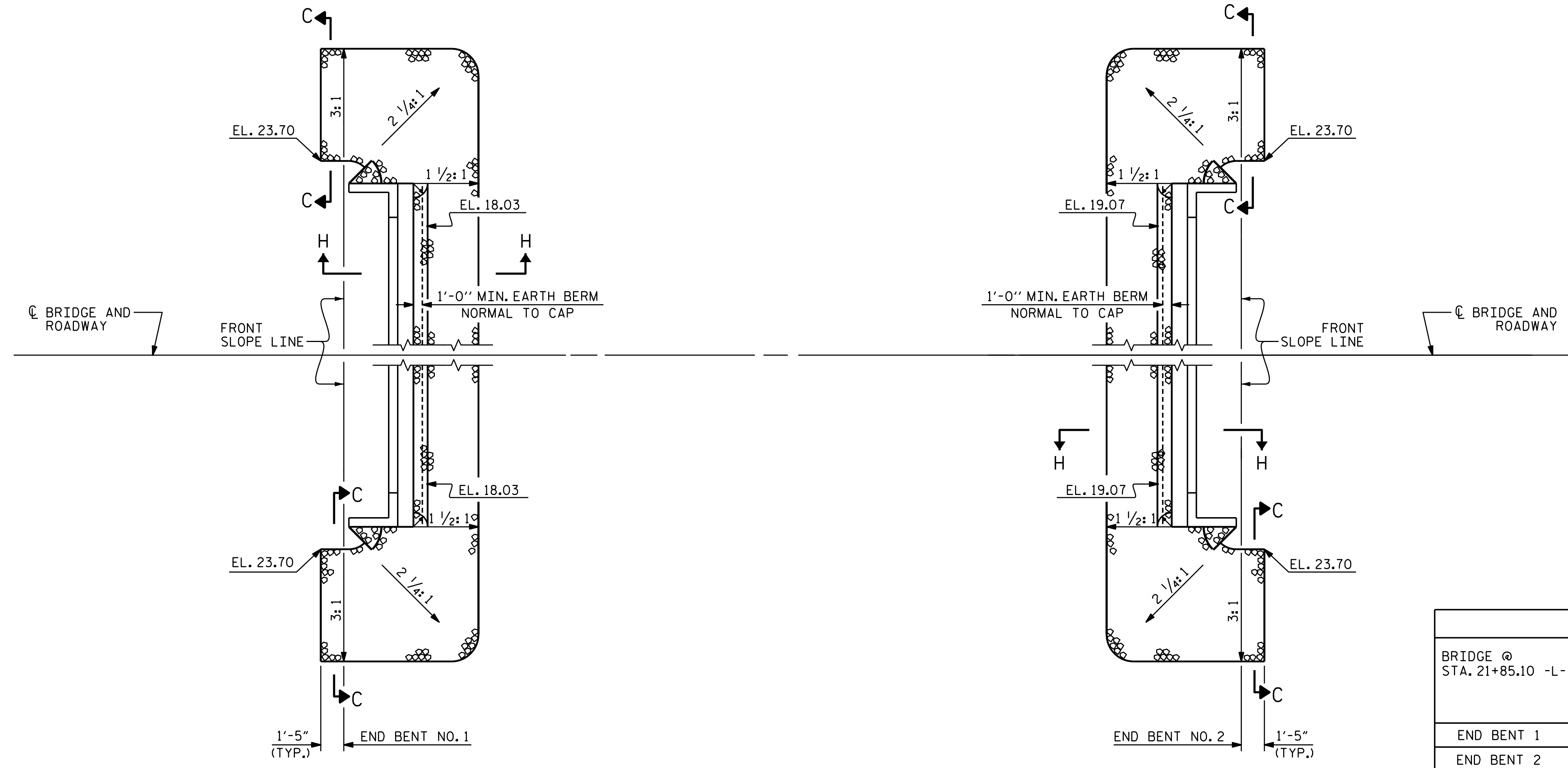
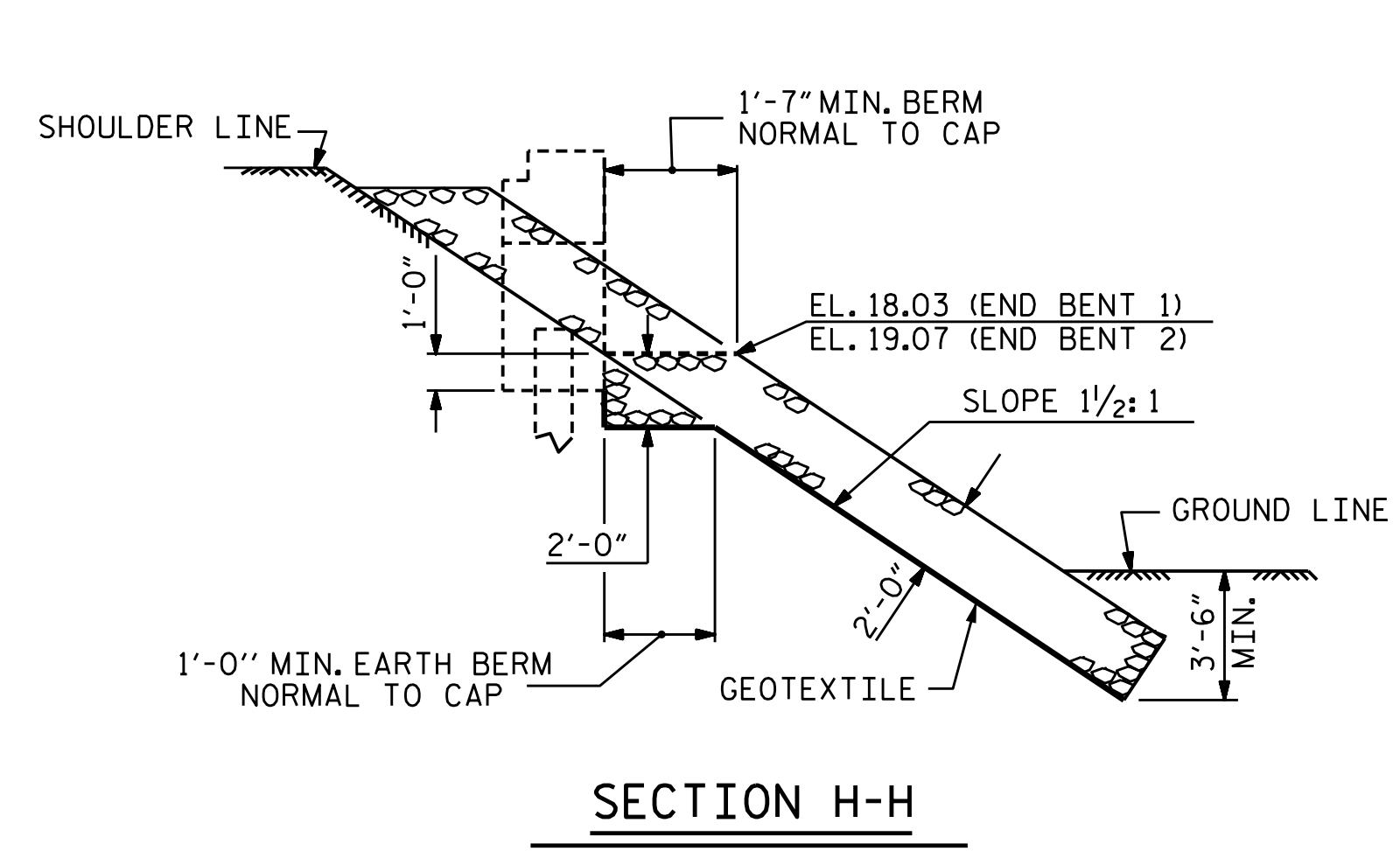


NOTES :
FOR BERM WIDTH DIMENSIONS, SEE GENERAL DRAWING.

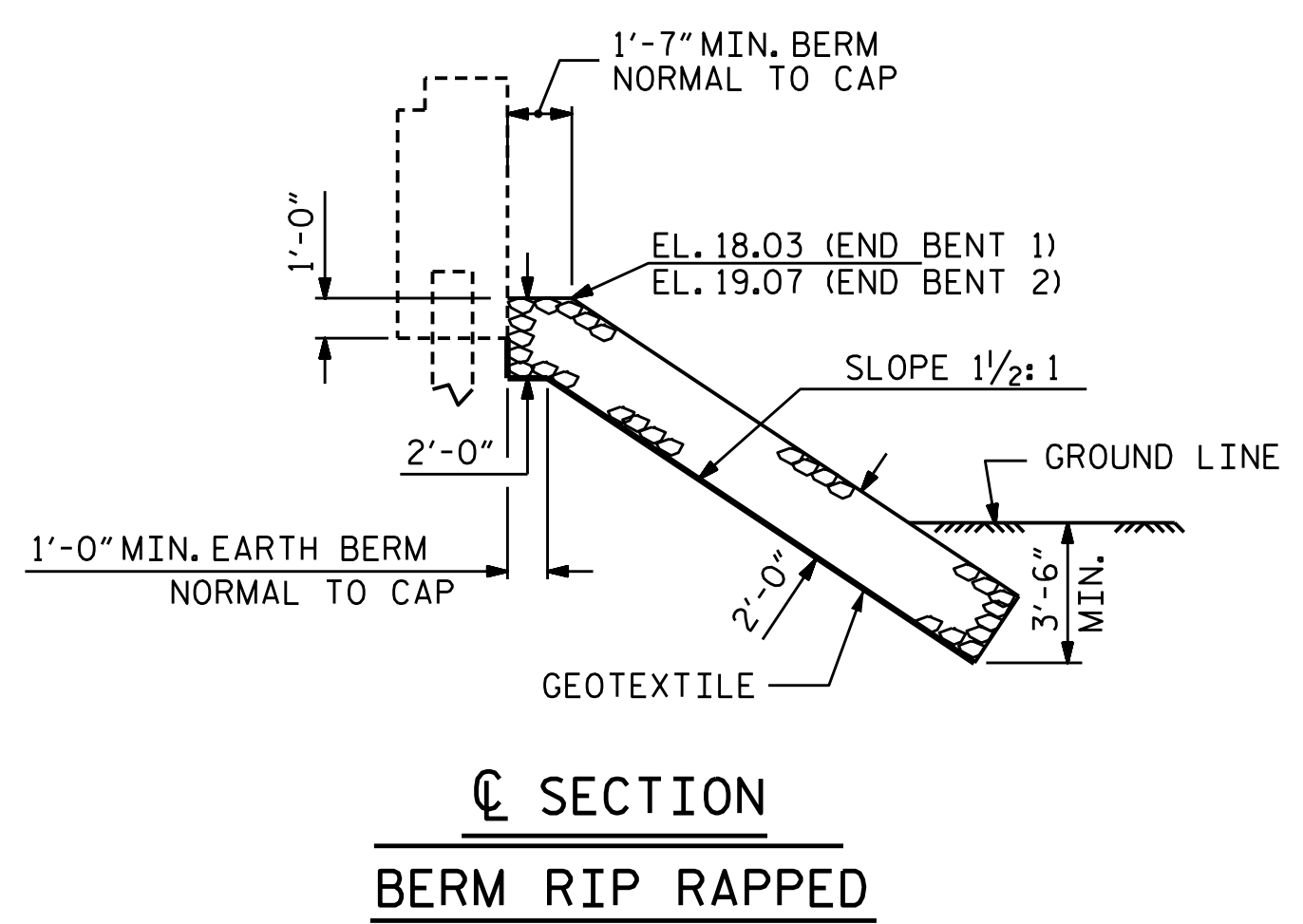


ESTIMATED QUANTITIES		
BRIDGE @ STA. 21+85.10 -L-	RIP RAP CLASS II (2'-0" THICK)	GEOTEXTILE FOR DRAINAGE
	TONS	SQUARE YARDS
END BENT 1	231	256
END BENT 2	292	324

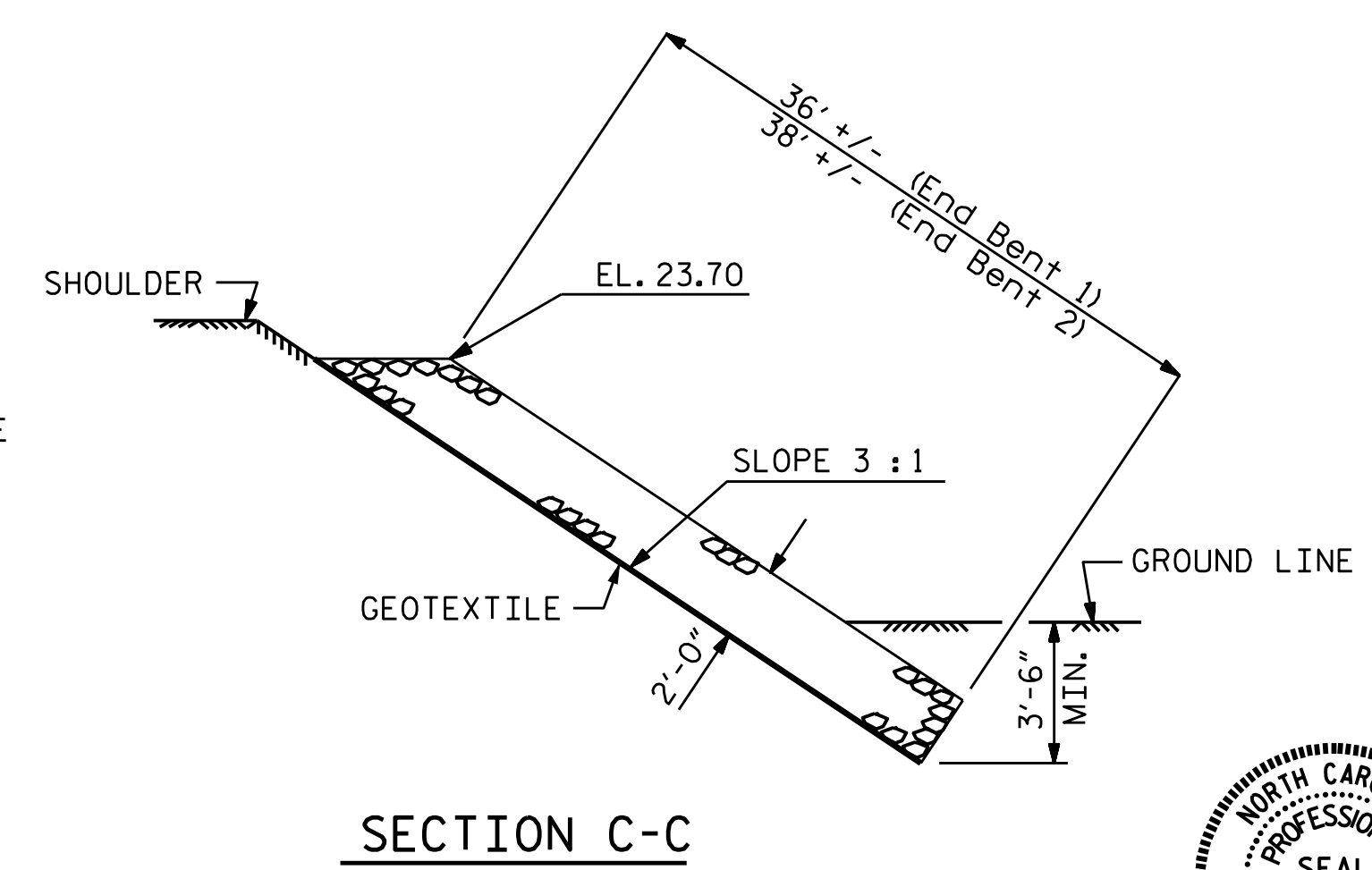
SHOULDER RIP RAP IS HIGHER THAN BERM RIP RAP



SECTION H-H

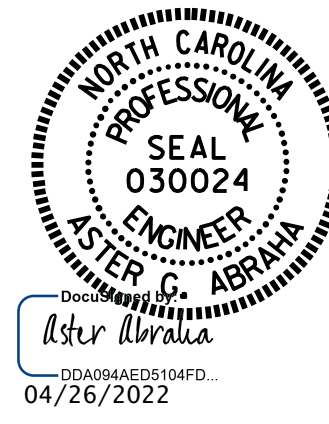


SECTION C-C
BERM RIP RAPPED



SECTION C-C

PROJECT NO. B-5694
BLADEN COUNTY
STATION: 21+85.10 -L-



STATE OF NORTH CAROLINA
DEPARTMENT OF TRANSPORTATION
RALEIGH

RIP RAP DETAILS

ASSEMBLED BY : S. WANCE	DATE : 07/2020
CHECKED BY : M.M.AHMED	DATE : 09/2020
DRAWN BY : REK 1/84	REV. 10/1/11 MAA/GM
CHECKED BY : RDU 1/84	REV. 12/21/11 MAA/GM
	REV. 12/17 MAA/THC

NO.	BY:	DATE:	REVISIONS			SHEET NO.
			NO.	BY:	DATE:	
1			3			S-35
2			4			TOTAL SHEETS 37

DOCUMENT NOT CONSIDERED
FINAL UNLESS ALL
SIGNATURES COMPLETED