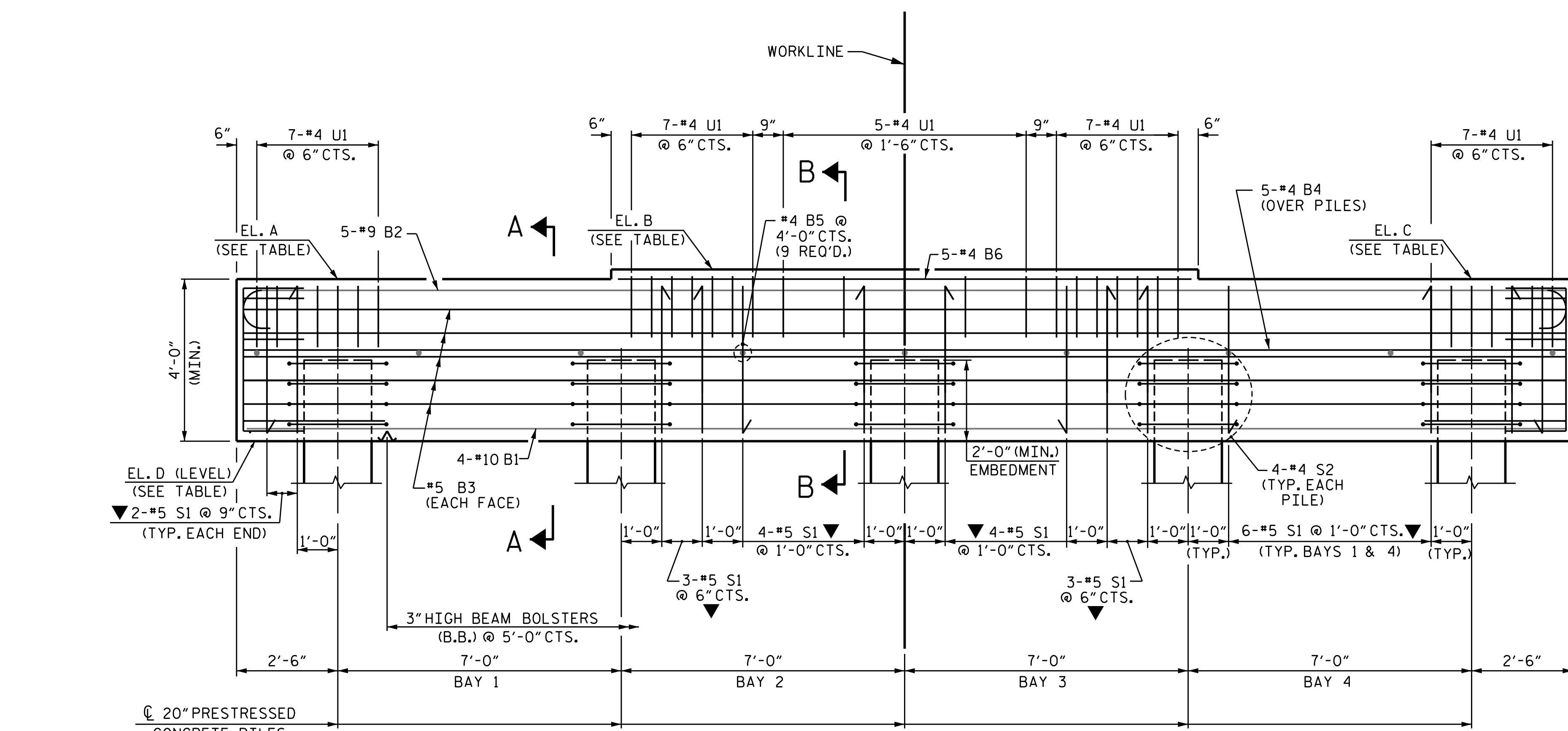


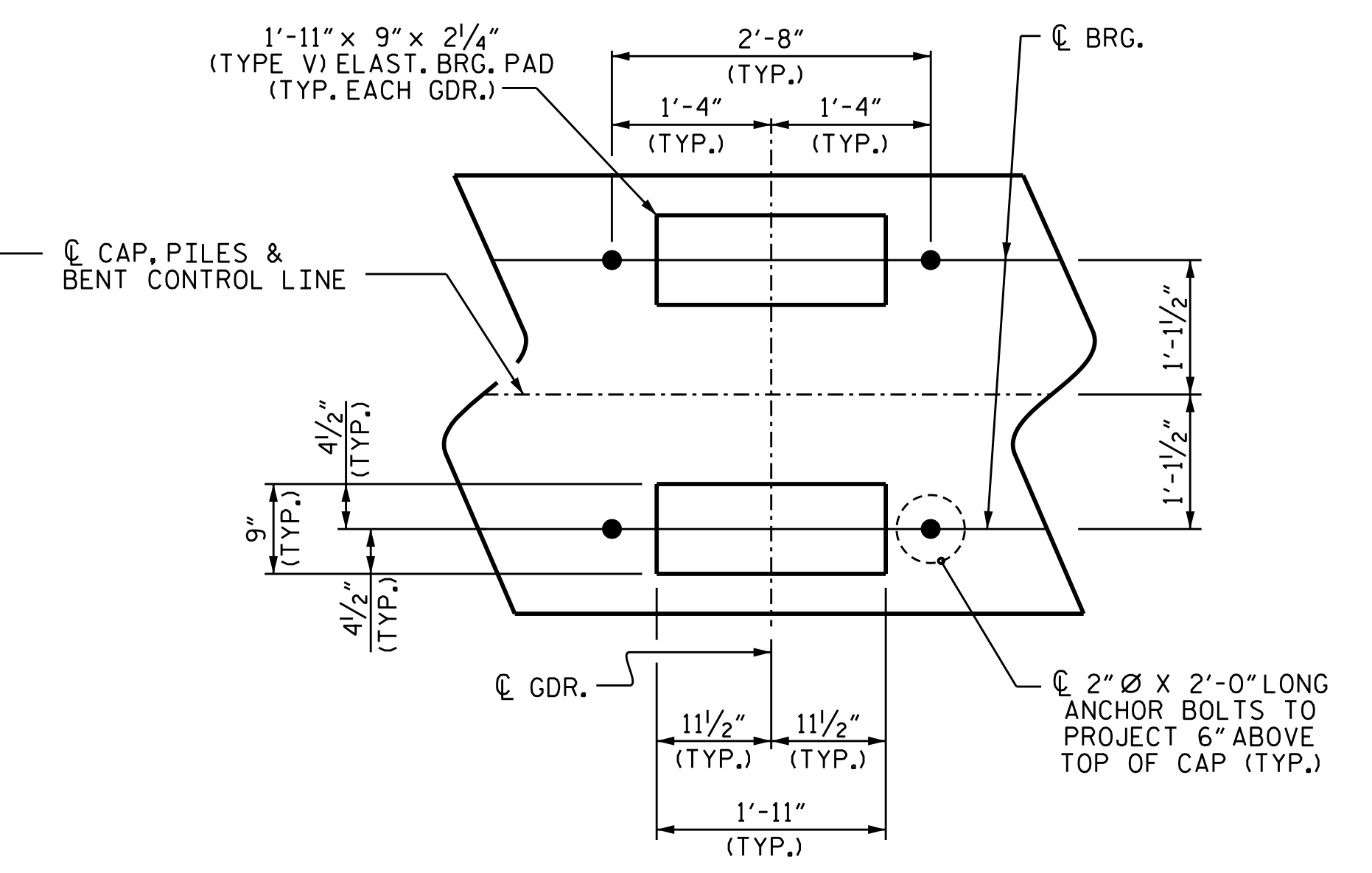
PLAN



ELEVATION

NOTES:

STIRRUPS AND U1 BARS IN CAP MAY BE SHIFTED AS NECESSARY TO CLEAR ANCHOR BOLTS.
 FOR PRESTRESSED CONCRETE PILE DETAILS, SEE SHEET 5 OF 5

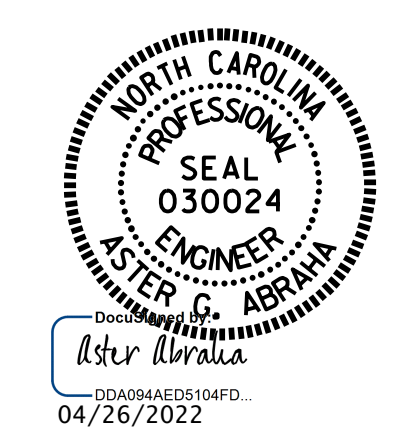


DETAIL "A"
(TYP. EA. GDR.)

ELEVATION	A	B	C	D
BENT 2	21.37	21.61	21.37	17.37
BENT 3	21.67	21.91	21.67	17.67

PROJECT NO. B-5694
BLADEN COUNTY
 STATION: 21+85.10 -L-

SHEET 3 OF 5



STATE OF NORTH CAROLINA
 DEPARTMENT OF TRANSPORTATION
 RALEIGH

SUBSTRUCTURE
 BENT 2 & 3

DRAWN BY: M.M. AHMED DATE: 8/27/19
 CHECKED BY: A ABRAHA DATE: 3/3/22
 DESIGN ENGINEER OF RECORD: M.M. AHMED DATE: 07/19

4/20/2022 R:\Structures\Plans\OBD\401.B5694.SMU.BT.0203.S03.080051.dgn
 oygodfrey

▼ INVERT ALTERNATE STIRRUPS

DOCUMENT NOT CONSIDERED
 FINAL UNLESS ALL
 SIGNATURES COMPLETED

REVISIONS						SHEET NO.
NO.	BY:	DATE:	NO.	BY:	DATE:	S-29
1			3			TOTAL SHEETS 37
2			4			