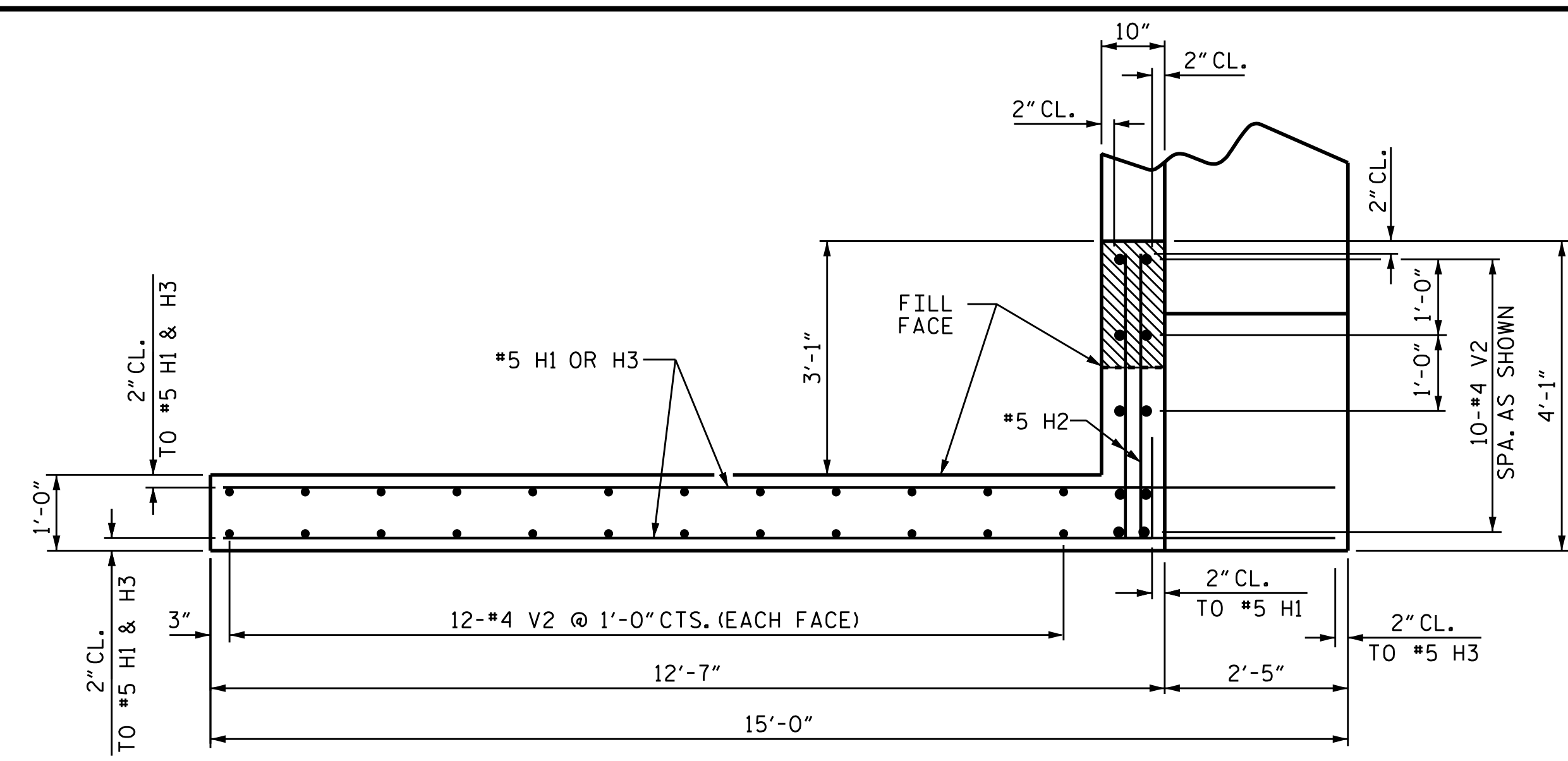
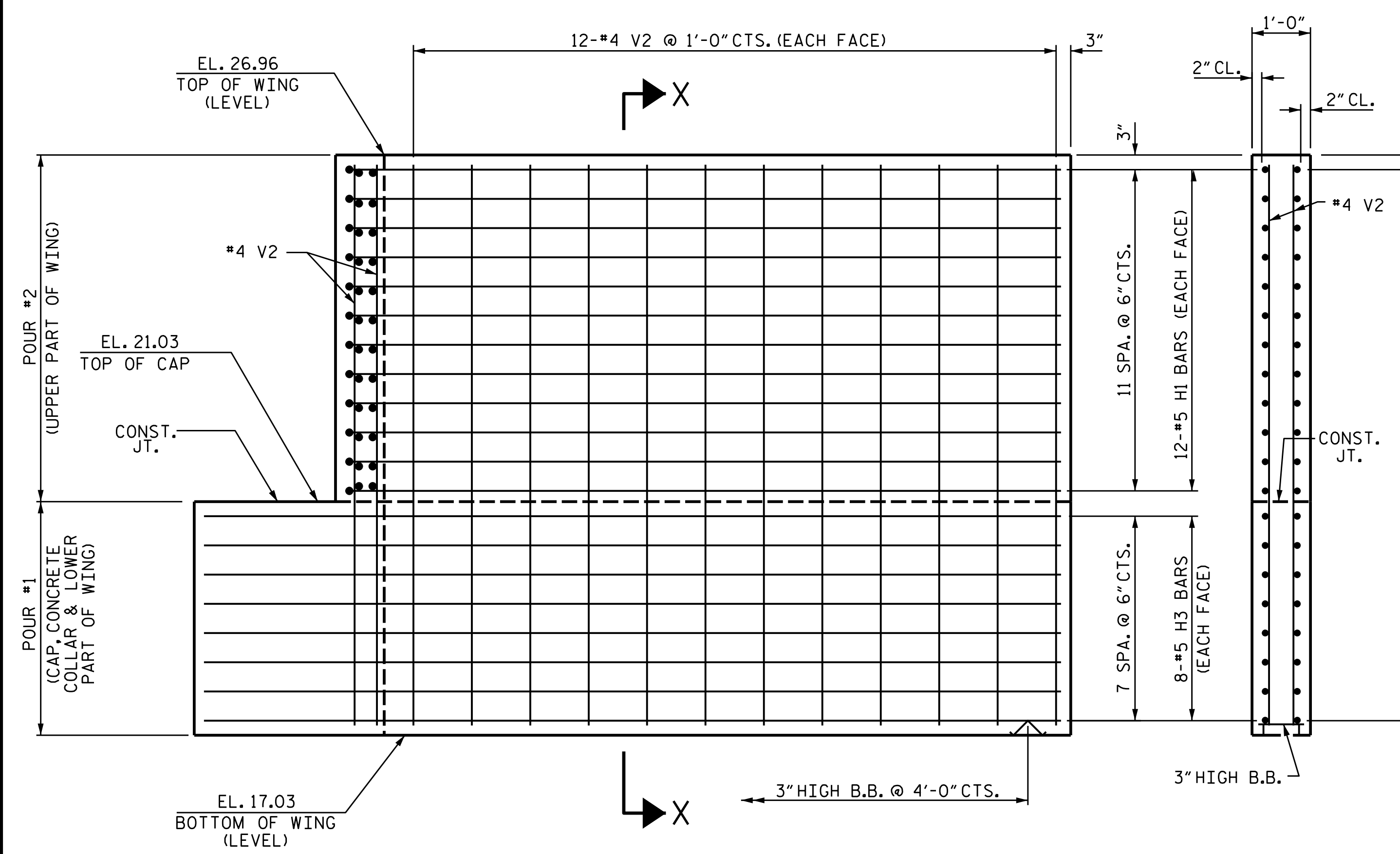


PLAN OF WING-W1

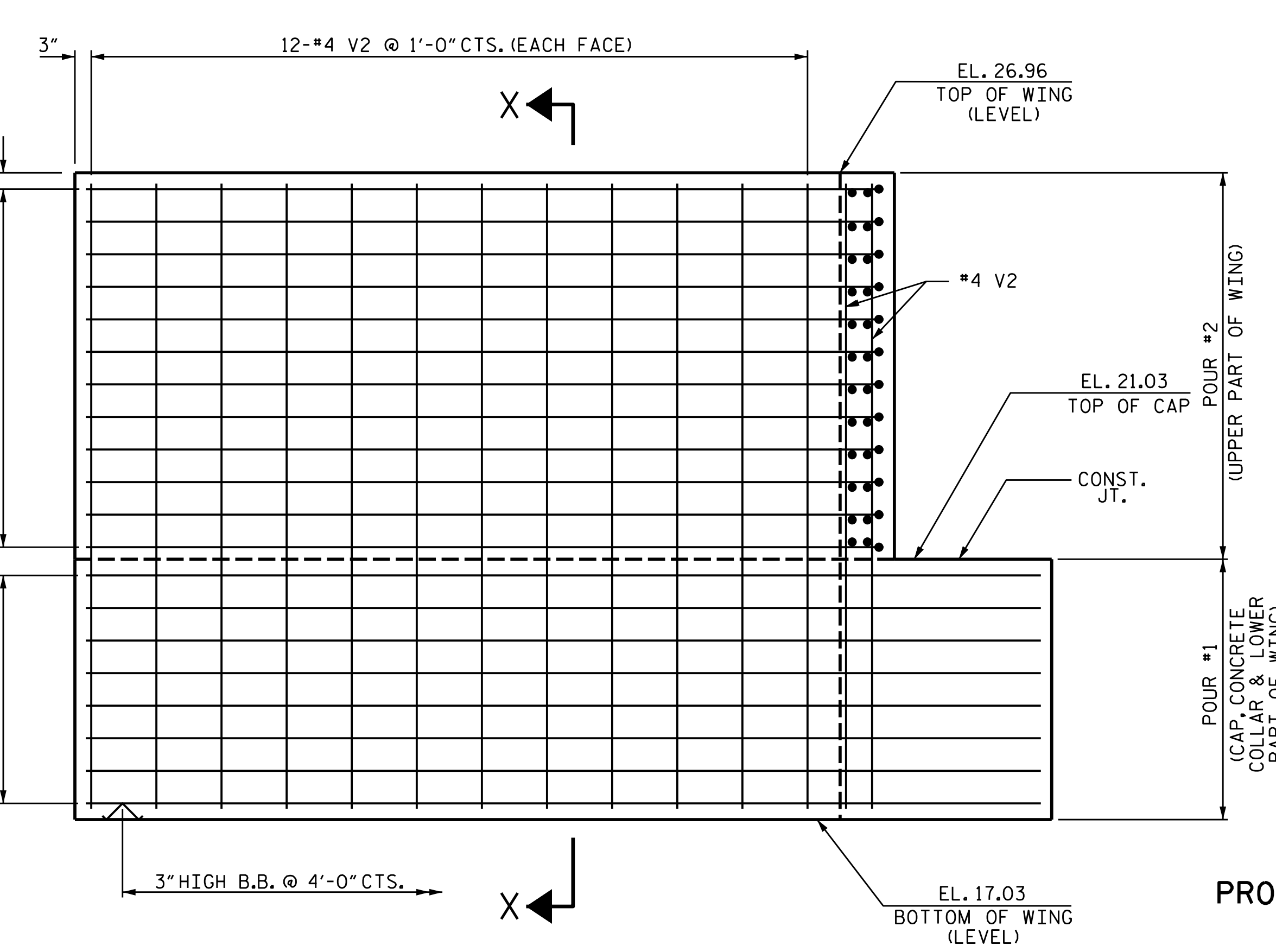


PLAN OF WING-W2



ELEVATION OF WING-W1

SECTION X-X



ELEVATION OF WING-W2

PROJECT NO. B-5694  
 BLADEN COUNTY  
 STATION: 21+85.10 -L-

SHEET 2 OF 3



STATE OF NORTH CAROLINA  
 DEPARTMENT OF TRANSPORTATION  
 RALEIGH  
 SUBSTRUCTURE  
 INTEGRAL  
 END BENT 1

DRAWN BY: M.M. AHMED DATE: 8/21/19  
 CHECKED BY: S. WANCE DATE: 08/2019  
 DESIGN ENGINEER OF RECORD: M.M. AHMED DATE: 07/2019

DOCUMENT NOT CONSIDERED  
 FINAL UNLESS ALL  
 SIGNATURES COMPLETED

REVISIONS						SHEET NO.
NO.	BY:	DATE:	NO.	BY:	DATE:	S-25
1			3			TOTAL SHEETS
2			4			37