

**DEBONDING LEGEND**

- FULLY BONDED STRANDS
- STRANDS DEBONDED FOR 4'-0" FROM END OF GIRDER
- STRANDS DEBONDED FOR 10'-0" FROM END OF GIRDER
- STRANDS DEBONDED FOR 12'-0" FROM END OF GIRDER

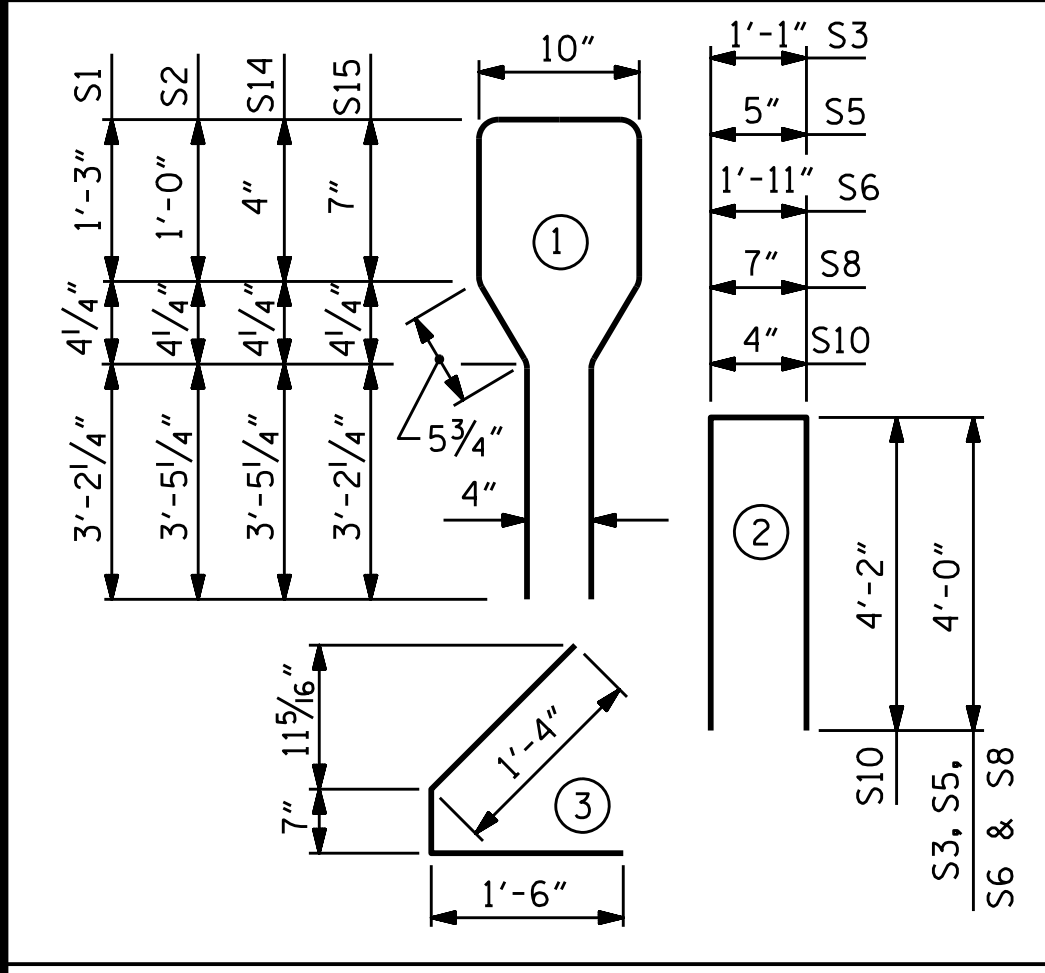
0.6" Ø L. R. GRADE 270 STRANDS		
AREA (SQUARE INCHES)	ULTIMATE STRENGTH (LBS. PER STRAND)	APPLIED PRESTRESS (LBS. PER STRAND)
0.217	58,600	43,950

REINFORCING STEEL FOR ONE GIRDER					
BAR	NUMBER	SIZE	TYPE	LENGTH	WEIGHT
S1	176	#4	1	10'-8"	1254
S2	6	#6	1	10'-8"	96
S3	4	#4	2	9'-1"	24
S4	84	#4	3	3'-5"	192
S5	6	#4	2	8'-5"	34
S6	1	#4	2	9'-11"	7
* S7	12	#5	STR	3'-8"	46
S8	4	#4	2	8'-7"	23
S9	1	#3	STR	1'-10"	1
S10	2	#5	2	8'-8"	18
S11	5	#4	STR	7'-0"	23
S13	1	#3	STR	1'-4"	1
S14	6	#6	1	9'-4"	84
S15	9	#4	1	9'-4"	56

\* NOTE: S7 BARS SHALL BE BENT BEFORE SHIPMENT. HEAT BENDING SHALL NOT BE ALLOWED.

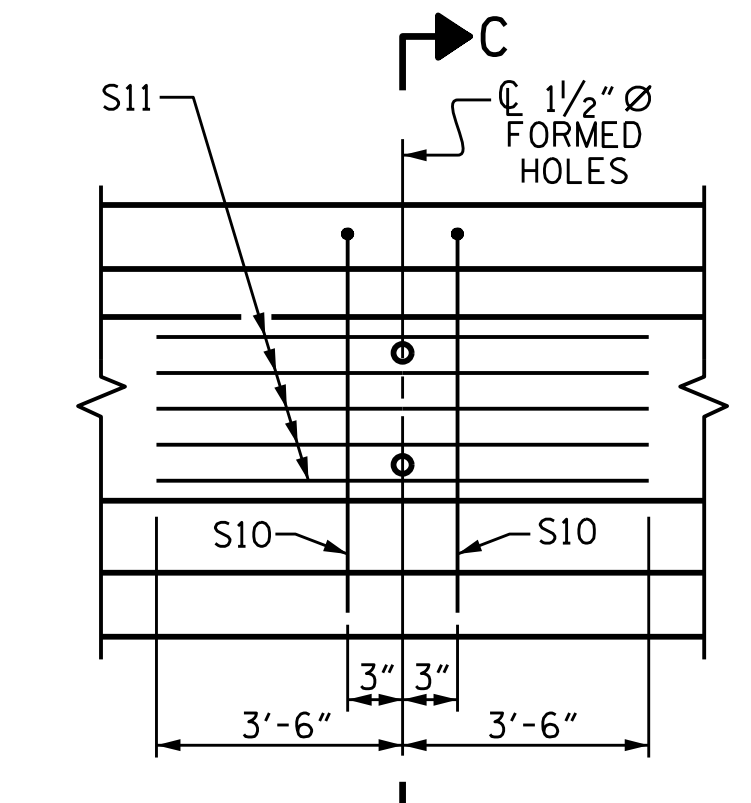
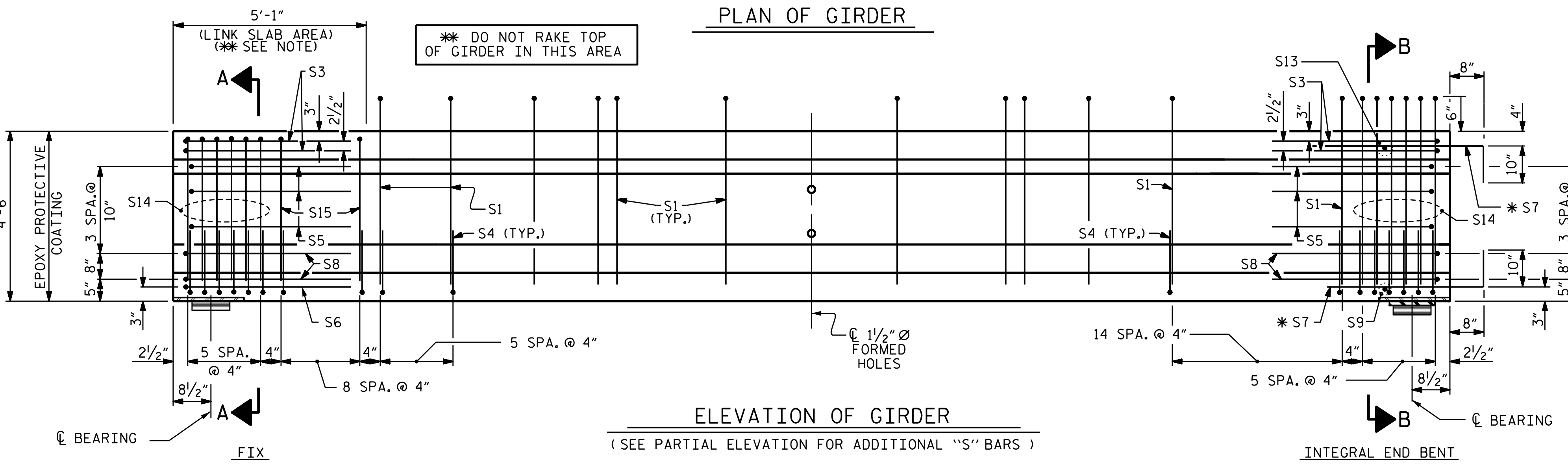
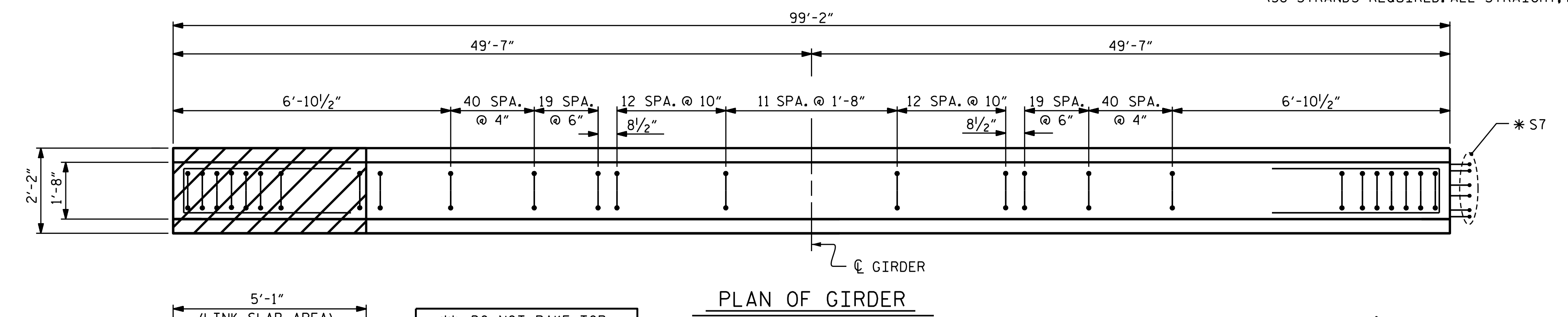
**BAR TYPES**

ALL BAR DIMENSIONS ARE OUT-TO-OUT



QUANTITIES FOR ONE GIRDER			
SPAN D	REINFORCING STEEL	9000 PSI CONCRETE	0.6" Ø L. R. STRANDS
	LB.	C.Y.	No.
SPAN D	1859	20.1	38

GIRDERS REQUIRED		
NUMBER	LENGTH	TOTAL LENGTH
4	99'-2"	396'-8"

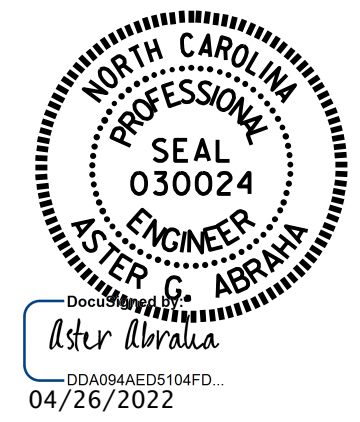


ASSEMBLED BY : A. Y. GODFREY DATE : 07/2020  
 CHECKED BY : M. M. AHMED DATE : 08/2020  
 DESIGN ENGINEER OF RECORD : M. M. AHMED DATE : 08/2019

DRAWN BY : ELR 8/91 MAA/GM  
 CHECKED BY : GRP 8/91 REV. 10/1/11 MAA/TMG  
 REV. 1/15 MAA/THC  
 REV. 12/17

4/20/2022  
 R:\Structures\Plans\OBD\401.B5694.SMU.G4.S15.080051.dgn  
 aygodfrey

DOCUMENT NOT CONSIDERED FINAL UNLESS ALL SIGNATURES COMPLETED



PROJECT NO. B-5694  
 BLADEN COUNTY  
 STATION: 21+85.10 -L-

SHEET 4 OF 6

STATE OF NORTH CAROLINA  
 DEPARTMENT OF TRANSPORTATION  
 RALEIGH

AASHTO TYPE IV  
 PRESTRESSED CONCRETE  
 GIRDER - LINK SLAB  
 SPAN D

REVISIONS						SHEET NO.
NO.	BY:	DATE:	NO.	BY:	DATE:	
1			3			S-16
2			4			TOTAL SHEETS 37