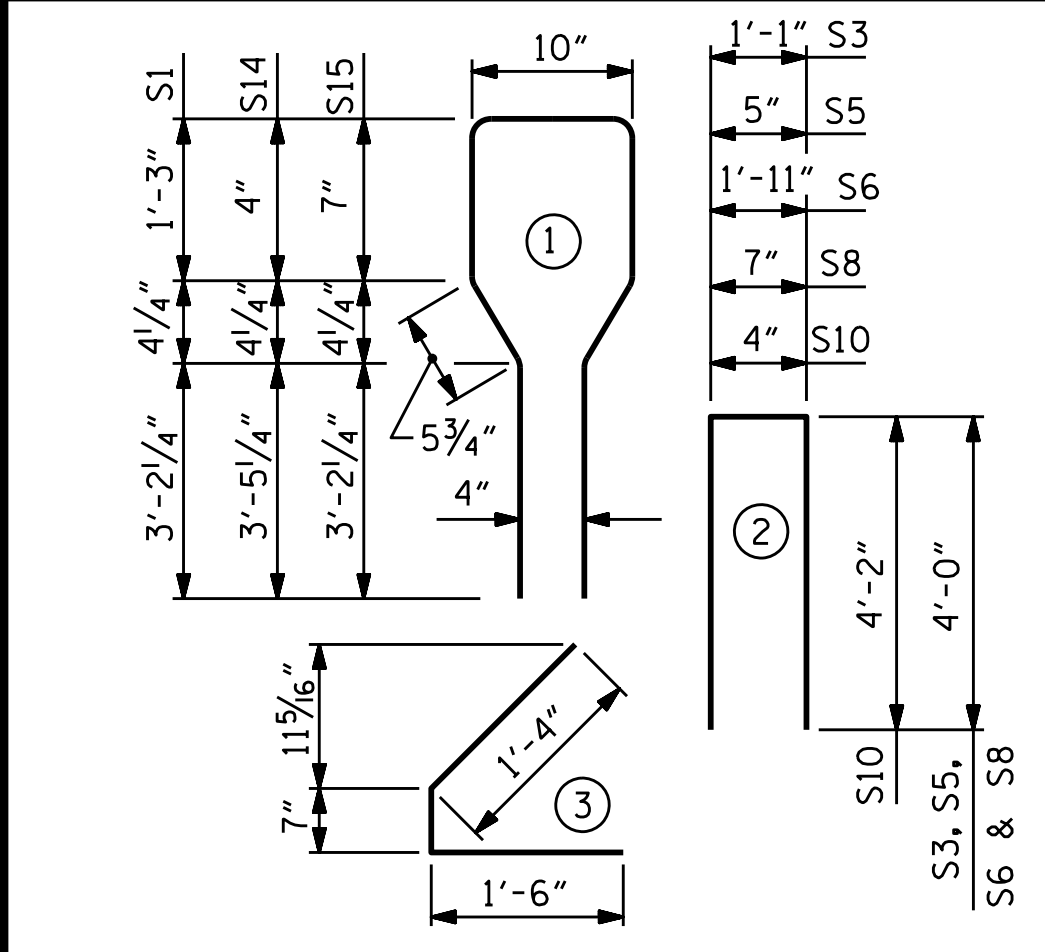


- DEBONDING LEGEND**
- FULLY BONDED STRANDS
  - ▲ STRANDS DEBONDED FOR 4'-0" FROM END OF GIRDER
  - ◆ STRANDS DEBONDED FOR 10'-0" FROM END OF GIRDER
  - ⊙ STRANDS DEBONDED FOR 12'-0" FROM END OF GIRDER

0.6" Ø L. R. GRADE 270 STRANDS		
AREA (SQUARE INCHES)	ULTIMATE STRENGTH (LBS. PER STRAND)	APPLIED PRESTRESS (LBS. PER STRAND)
0.217	58,600	43,950

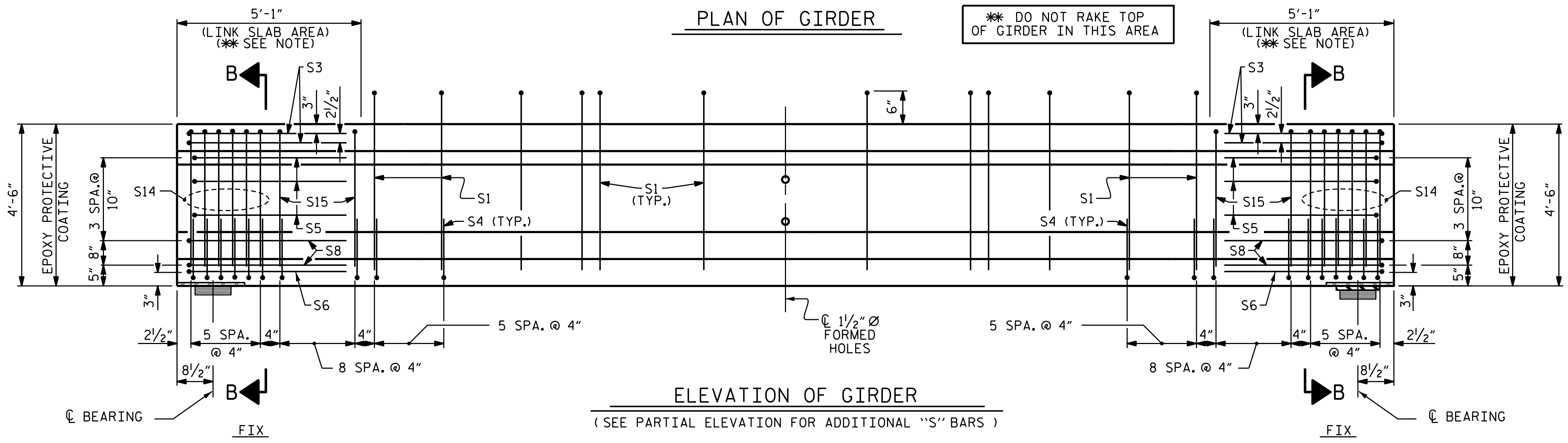
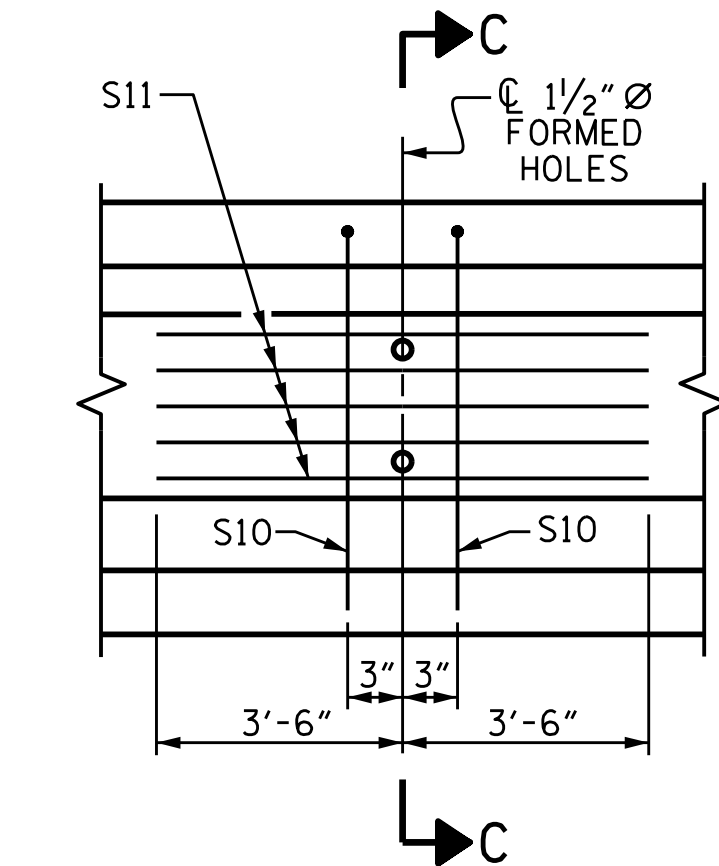
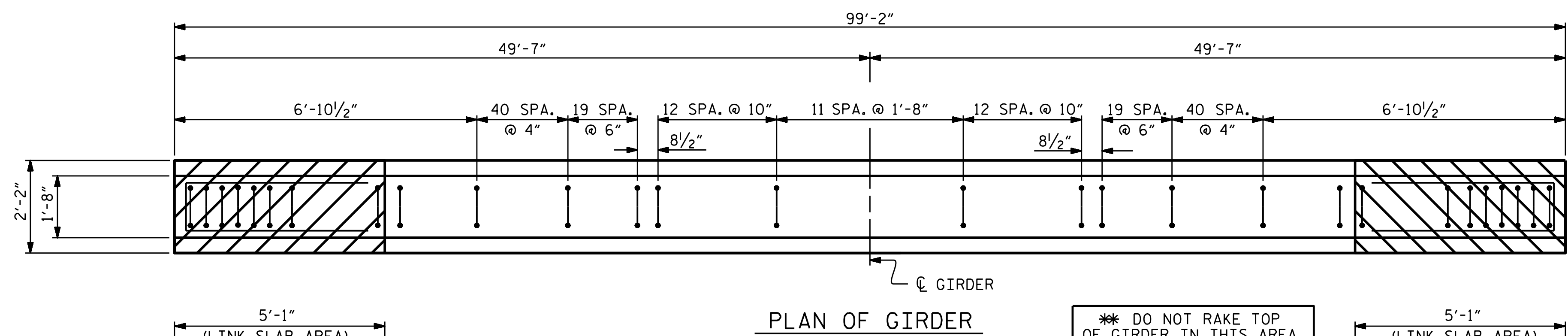
REINFORCING STEEL FOR ONE GIRDER					
BAR	NUMBER	SIZE	TYPE	LENGTH	WEIGHT
S1	167	#4	1	10'-8"	1190
S3	4	#4	2	9'-1"	24
S4	84	#4	3	3'-5"	192
S5	6	#4	2	8'-5"	34
S6	2	#4	2	9'-11"	13
S8	4	#4	2	8'-7"	23
S10	2	#5	2	8'-8"	18
S11	5	#4	STR	7'-0"	23
S14	12	#6	1	9'-4"	168
S15	18	#4	1	9'-4"	112

**BAR TYPES**  
ALL BAR DIMENSIONS ARE OUT-TO-OUT



QUANTITIES FOR ONE GIRDER			
REINFORCING STEEL	9000 PSI CONCRETE	0.6" Ø L. R. STRANDS	
	LB.	C.Y.	No.
SPAN C	1797	20.1	38

GIRDERS REQUIRED		
NUMBER	LENGTH	TOTAL LENGTH
4	99'-2"	396'-8"



ASSEMBLED BY : A. Y. GODFREY DATE : 07/2020  
 CHECKED BY : M. M. AHMED DATE : 08/2020  
 DESIGN ENGINEER OF RECORD : M. M. AHMED DATE : 08/2019  
 DRAWN BY : ELR 8/91  
 CHECKED BY : GRP 8/91

REV. 10/1/11 MAA/GM  
 REV. 1/15 MAA/TMG  
 REV. 12/17 MAA/THC

DOCUMENT NOT CONSIDERED FINAL UNLESS ALL SIGNATURES COMPLETED

REVISIONS						SHEET NO.
NO.	BY:	DATE:	NO.	BY:	DATE:	
1			3			S-15
2			4			TOTAL SHEETS 37