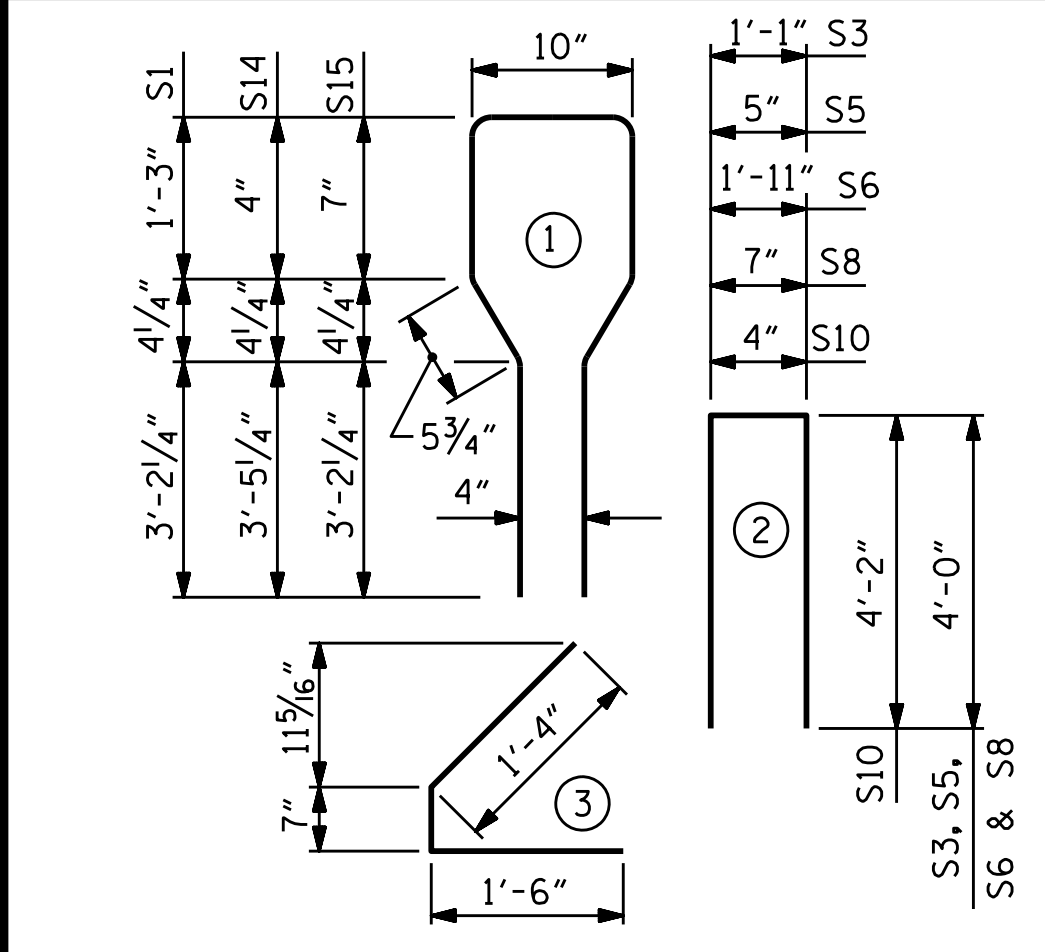


- DEBONDING LEGEND**
- FULLY BONDED STRANDS
  - STRANDS DEBONDED FOR 4'-0" FROM END OF GIRDER
  - ◇ STRANDS DEBONDED FOR 10'-0" FROM END OF GIRDER
  - ⊙ STRANDS DEBONDED FOR 12'-0" FROM END OF GIRDER

0.6" Ø L. R. GRADE 270 STRANDS		
AREA (SQUARE INCHES)	ULTIMATE STRENGTH (LBS. PER STRAND)	APPLIED PRESTRESS (LBS. PER STRAND)
0.217	58,600	43,950

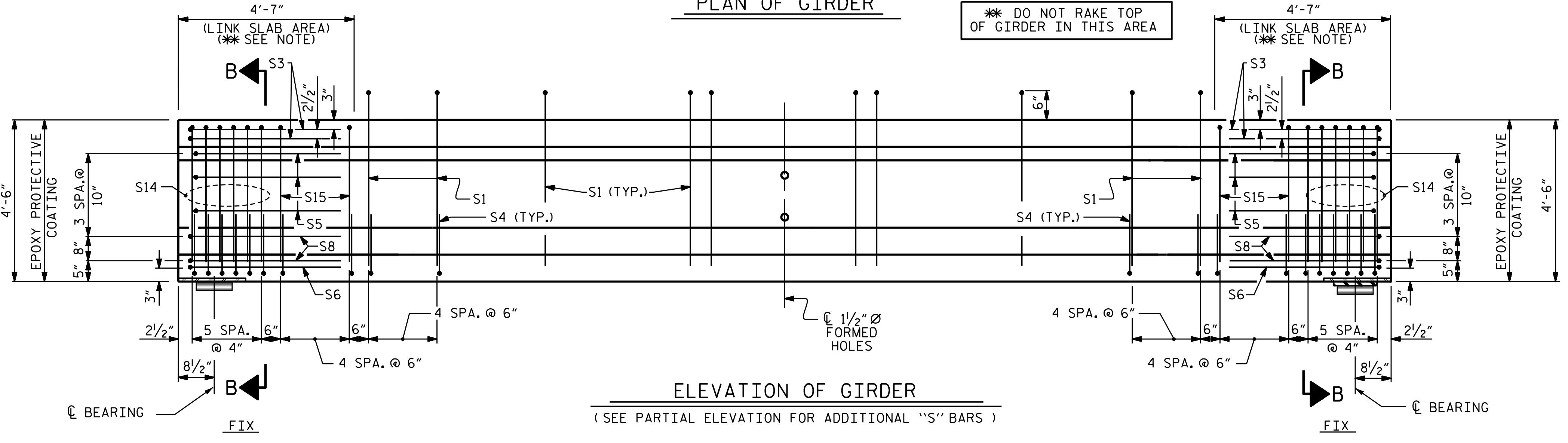
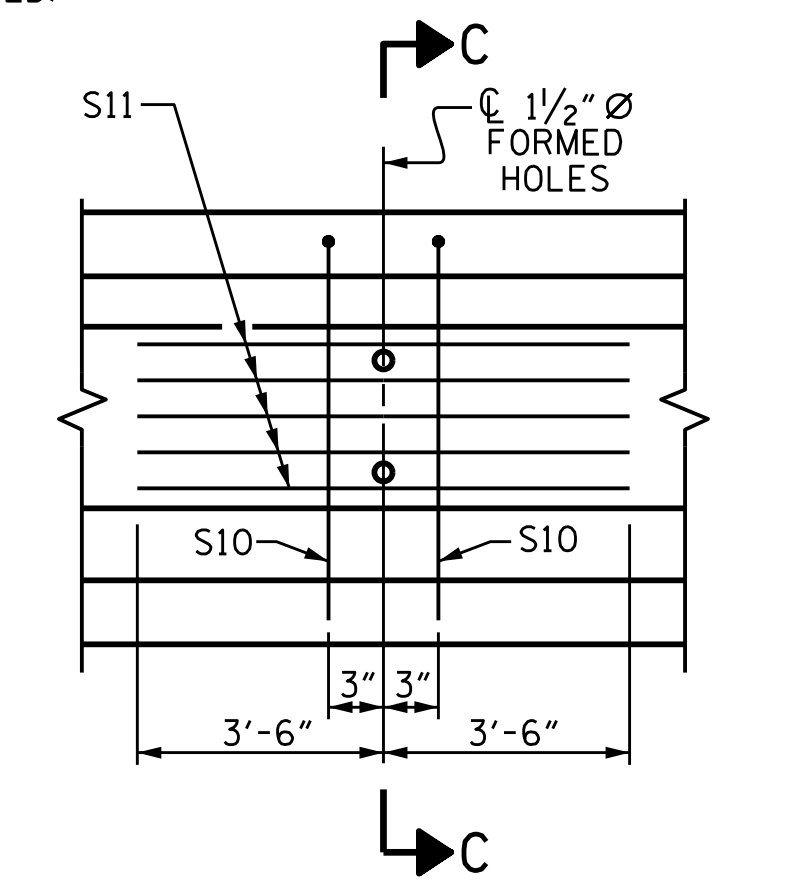
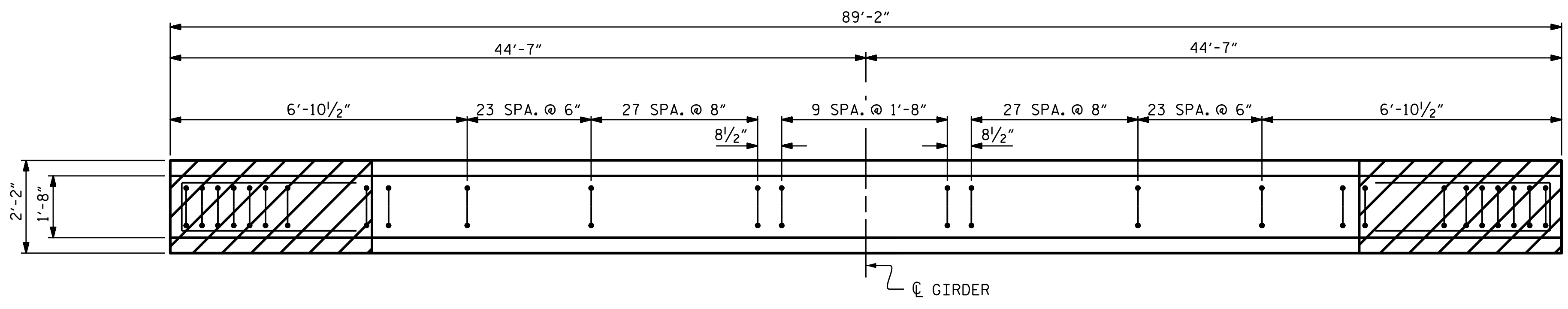
REINFORCING STEEL FOR ONE GIRDER					
BAR	NUMBER	SIZE	TYPE	LENGTH	WEIGHT
S1	120	#4	1	10'-8"	855
S3	4	#4	2	9'-1"	24
S4	64	#4	3	3'-5"	146
S5	6	#4	2	8'-5"	34
S6	2	#4	2	9'-11"	13
S8	4	#4	2	8'-7"	23
S10	2	#5	2	8'-8"	18
S11	5	#4	STR	7'-0"	23
S14	12	#6	1	9'-4"	168
S15	10	#4	1	9'-4"	62

**BAR TYPES**  
ALL BAR DIMENSIONS ARE OUT-TO-OUT



QUANTITIES FOR ONE GIRDER			
	REINFORCING STEEL LB.	8000 PSI CONCRETE C.Y.	0.6" Ø L. R. STRANDS No.
SPAN B	1366	18.1	32

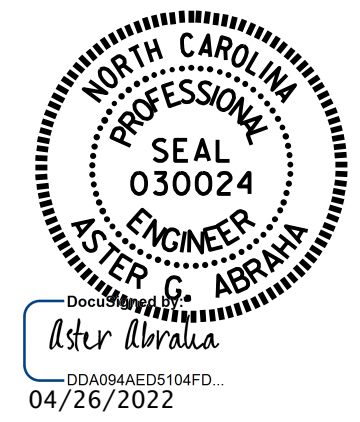
GIRDERS REQUIRED		
NUMBER	LENGTH	TOTAL LENGTH
4	89'-2"	356'-8"



ASSEMBLED BY : A. Y. GODFREY DATE : 07/2020  
 CHECKED BY : M. M. AHMED DATE : 08/2020  
 DESIGN ENGINEER OF RECORD : M. M. AHMED DATE : 08/2019  
 DRAWN BY : ELR 8/91 MAA/GM  
 CHECKED BY : GRP 8/91 REV. 10/1/11 MAA/TMG  
 REV. 1/15 MAA/THC  
 REV. 12/17 MAA/THC

4/20/2022 R:\Structures\Plans\OBD\401.B5694.SMU. G2.S13.080051.dgn aygodfrey

DOCUMENT NOT CONSIDERED FINAL UNLESS ALL SIGNATURES COMPLETED



PROJECT NO. B-5694  
 BLADEN COUNTY  
 STATION: 21+85.10 -L-

SHEET 2 OF 6  
 STATE OF NORTH CAROLINA  
 DEPARTMENT OF TRANSPORTATION  
 RALEIGH  
 AASHTO TYPE IV  
 PRESTRESSED CONCRETE  
 GIRDER - LINK SLAB  
 SPAN B

REVISIONS						SHEET NO.
NO.	BY:	DATE:	NO.	BY:	DATE:	S-14
1			3			TOTAL SHEETS
2			4			37

STD. NO. PCG6 (Sht. 1)