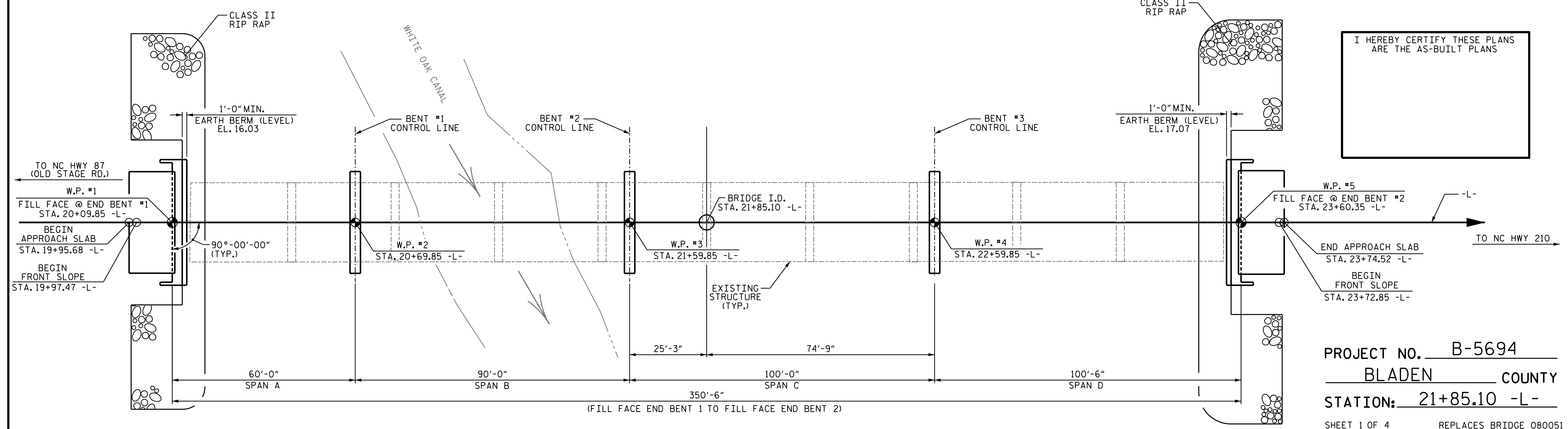


SECTION ALONG -L-



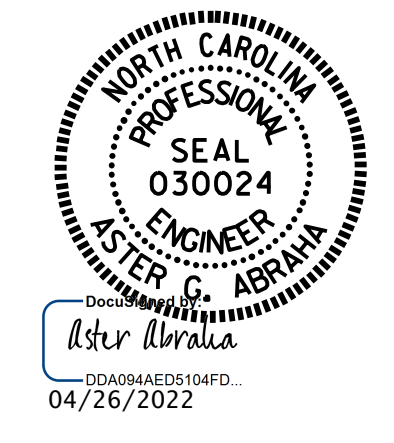
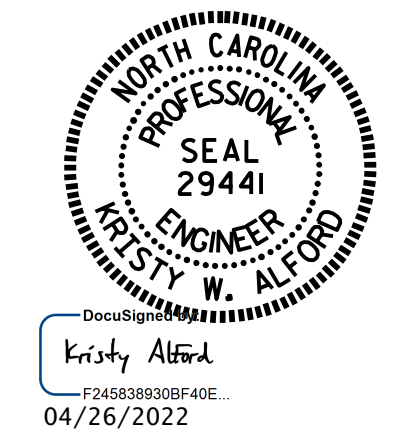
I HEREBY CERTIFY THESE PLANS ARE THE AS-BUILT PLANS

PROJECT NO. B-5694
BLADEN COUNTY
 STATION: 21+85.10 -L-

SHEET 1 OF 4 REPLACES BRIDGE 080051

STATE OF NORTH CAROLINA
 DEPARTMENT OF TRANSPORTATION
 RALEIGH

GENERAL DRAWING
 BRIDGE OVER WHITE OAK CANAL
 ON NC HWY 11 BETWEEN
 NC HWY 87 & NC HWY 210



DRAWN BY: M.M. AHMED DATE: AUG 2019
 CHECKED BY: S. WANCE DATE: AUG 2019
 DESIGN ENGINEER OF RECORD: M.M. AHMED DATE: JUNE 2019

REVISIONS						SHEET NO.
NO.	BY:	DATE:	NO.	BY:	DATE:	S-1
1			3			TOTAL SHEETS
2			4			37

DOCUMENT NOT CONSIDERED FINAL UNLESS ALL SIGNATURES COMPLETED