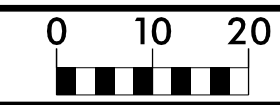
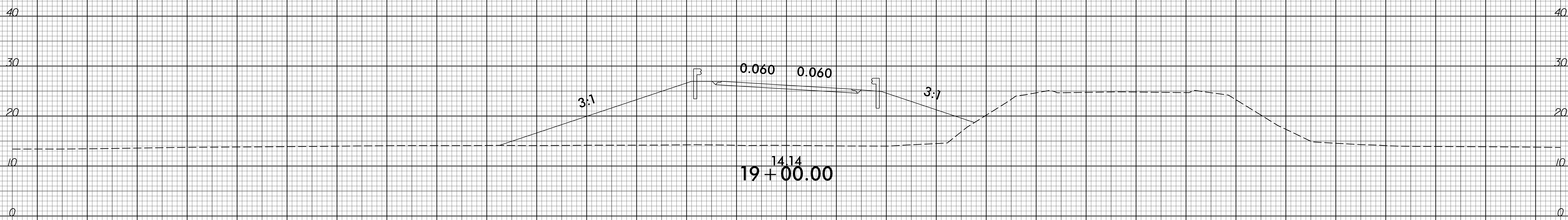
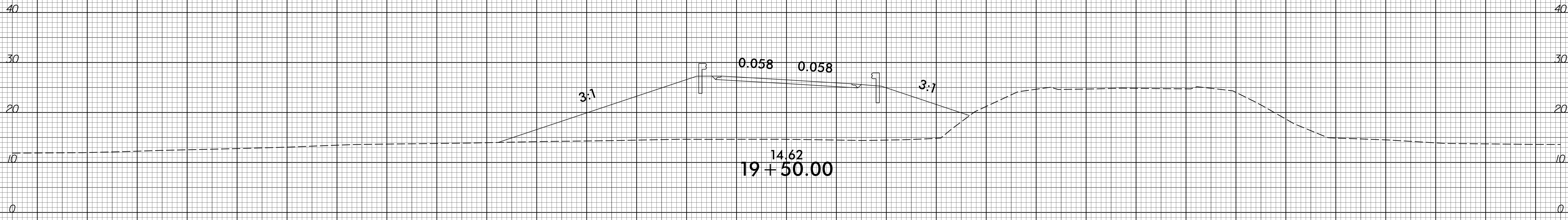


6/23/16



| | |
|---------------------|-----------|
| PROJ. REFERENCE NO. | SHEET NO. |
| B-5694 | X-18 |

150 140 130 120 110 100 90 80 70 60 50 40 30 20 10 0 10 20 30 40 50 60 70 80 90 100 110 120 130 140 150



-DET-

04-FEB-2022 15:42
 \\P0181\Users\180194512
 B-5694\Roadway\CorridorModeling\B-5694_Rdy_det_xpl.dgn