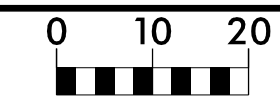


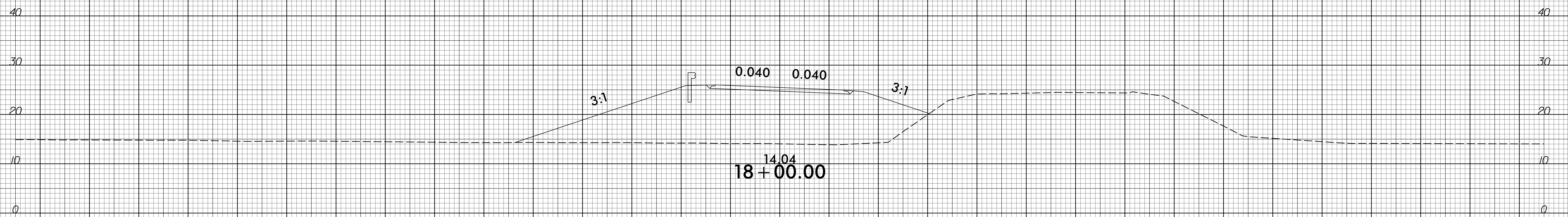
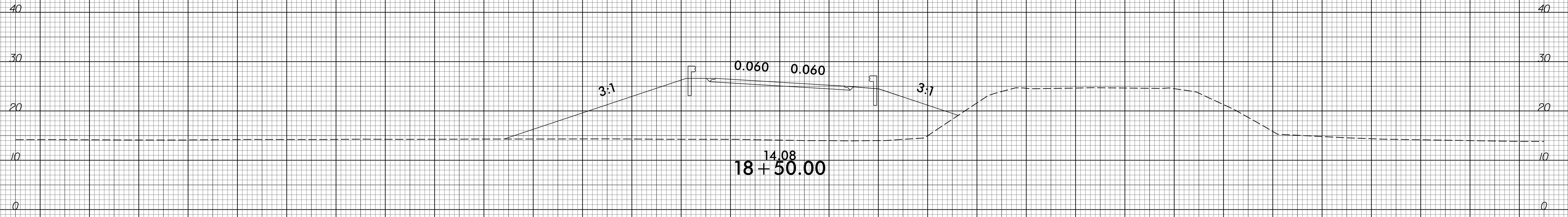
6/23/16



PROJ. REFERENCE NO.  
B-5694

SHEET NO.  
X-17

150 140 130 120 110 100 90 80 70 60 50 40 30 20 10 0 10 20 30 40 50 60 70 80 90 100 110 120 130 140 150



-DET-

04-FEB-2022 15:42  
X:\2018\1801945\12 B-5694\Roadway\CorridorModeling\B-5694\_Rdy\_det\_xpl.dgn