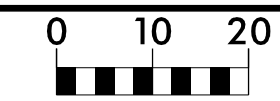


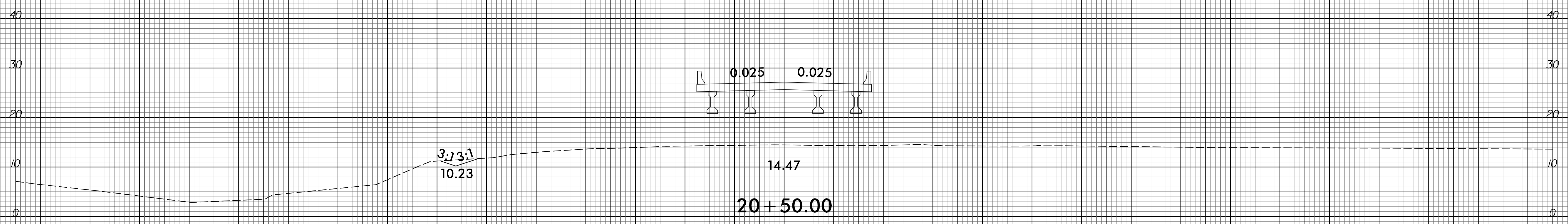
6/23/16



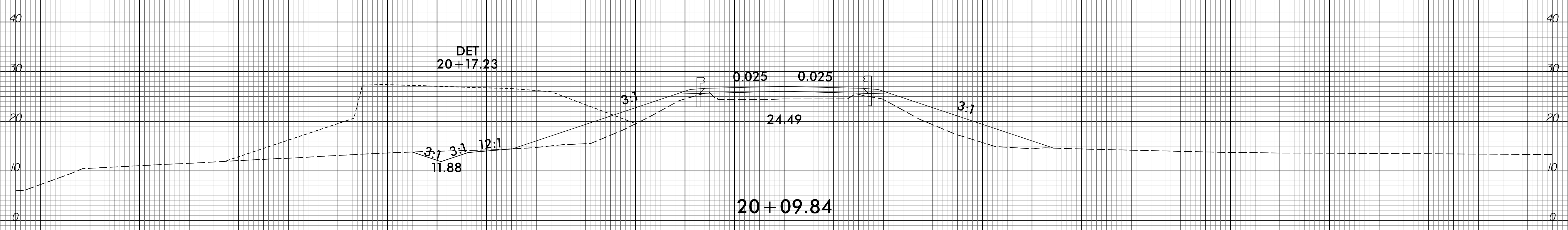
PROJ. REFERENCE NO.
B-5694

SHEET NO.
X-6

150 140 130 120 110 100 90 80 70 60 50 40 30 20 10 0 10 20 30 40 50 60 70 80 90 100 110 120 130 140 150



BEGIN BRIDGE -L- STA. 20+09.85



04-FEB-2022 15:42
 \\P0181\GIS\Projects\B-5694\Roadway\CorridorModeling\B-5694_Rdy_xpl.dgn
 3:30:58 PM 6/23/16

150 140 130 120 110 100 90 80 70 60 50 40 30 20 10 0 10 20 30 40 50 60 70 80 90 100 110 120 130 140 150