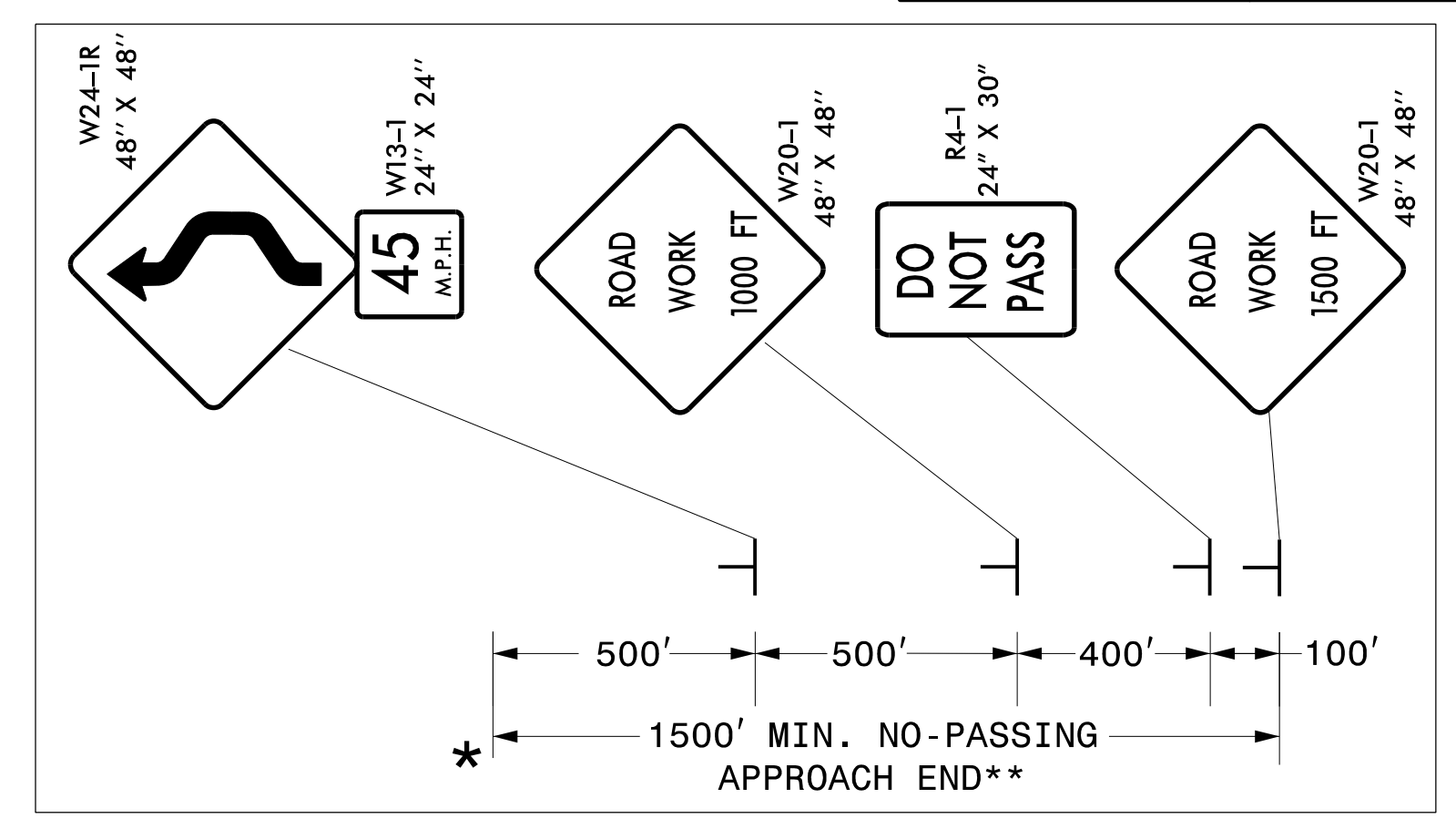
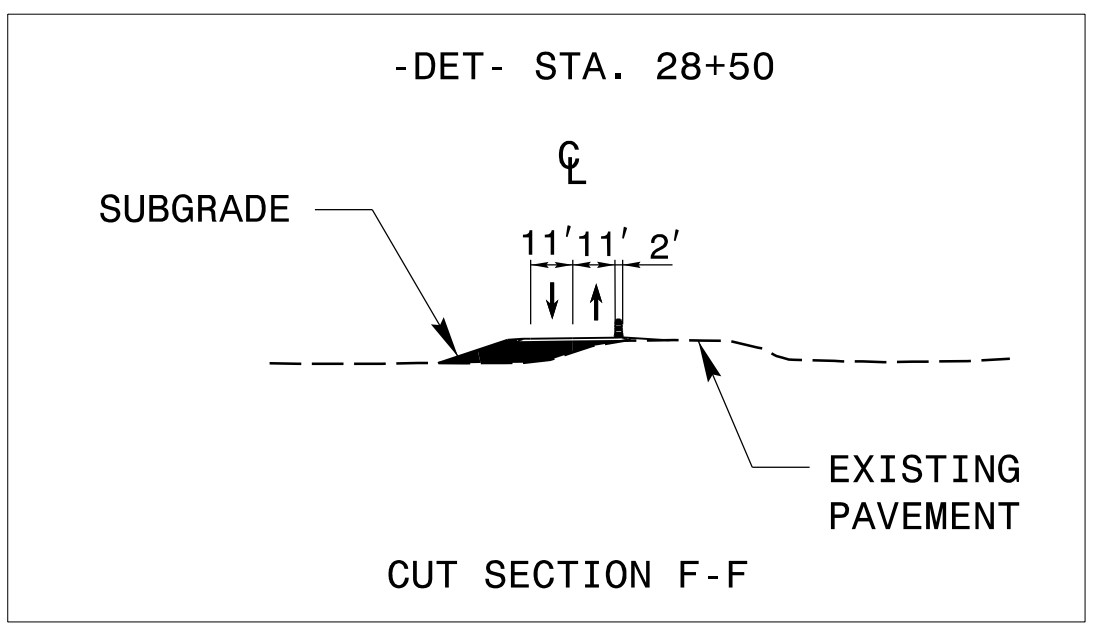
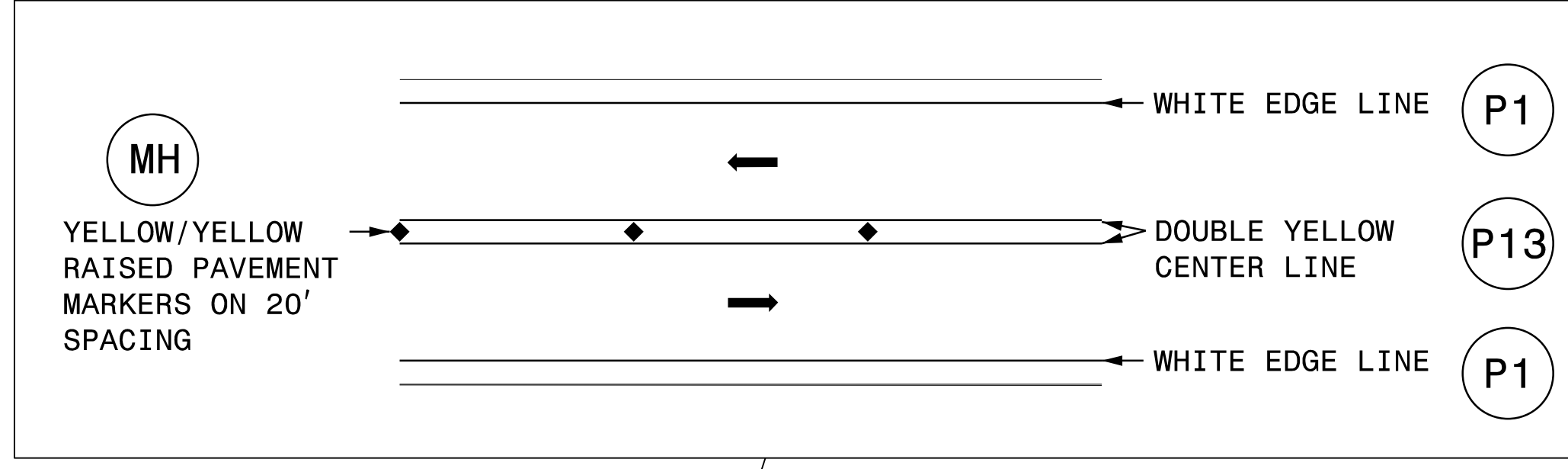
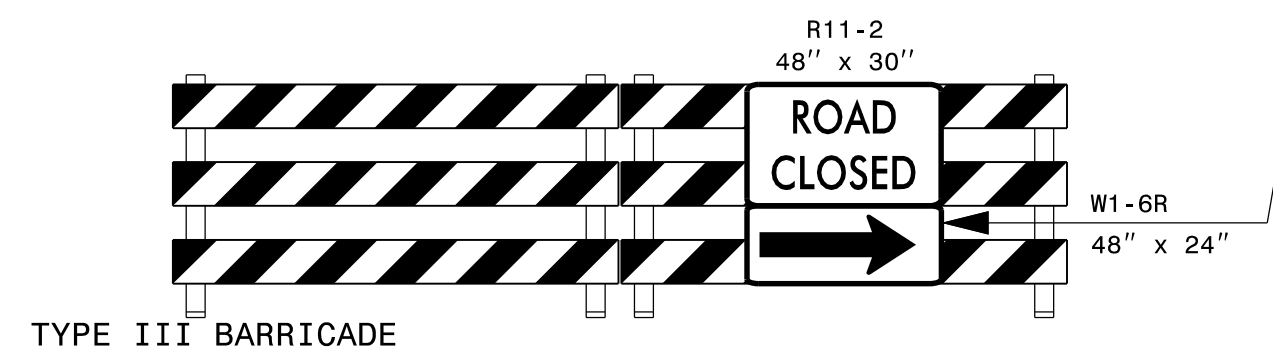
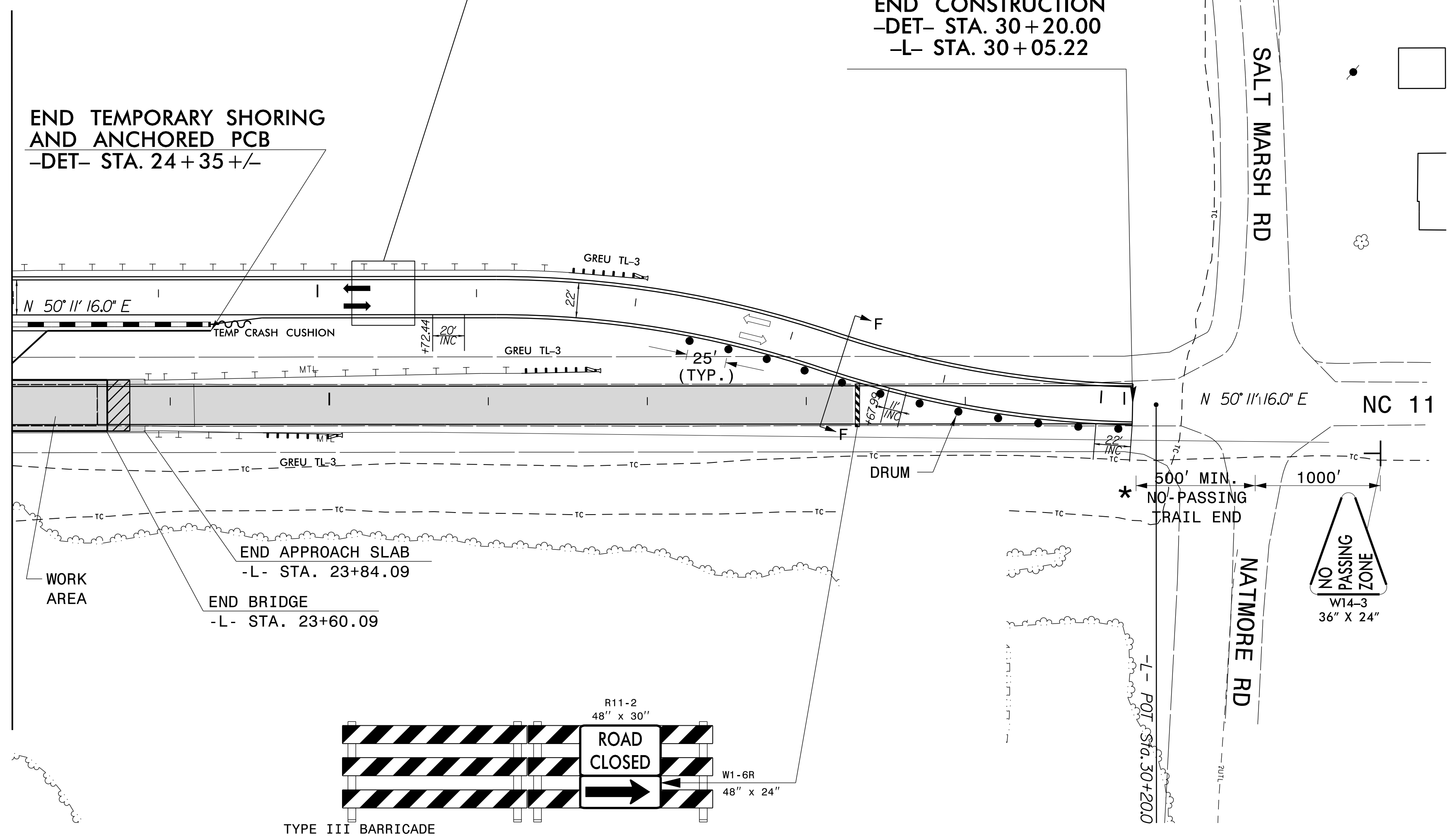


PAVEMENT MARKINGS FOR TEMPORARY DETOUR AND APPROACHES

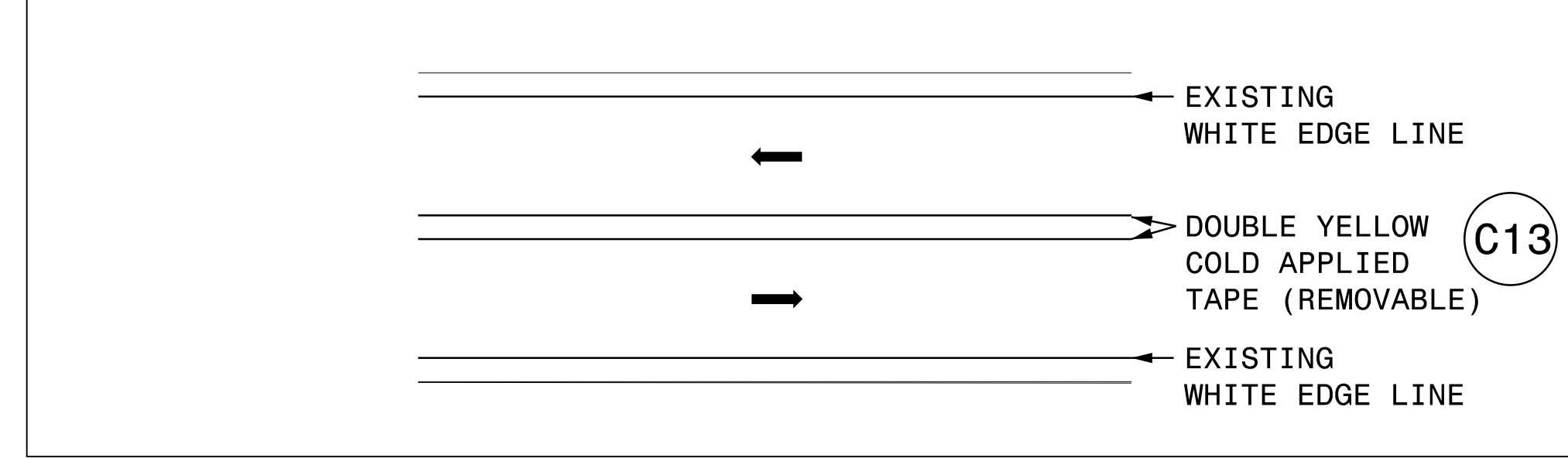


MATCH LINE -L- STA. 23+00.00 - SEE SHEET 5A



** EXISTING 10'-30' SKIPS TO BE COVERED BY DOUBLE YELLOW COLD APPLIED TAPE (REMOVABLE) FOR A MINIMUM DISTANCE OF 1500' ON EITHER SIDE OF THE WORK ZONE. SEE DETAIL FOR TEMPORARY PAVEMENT MARKINGS FOR A NO-PASSING ZONE.

TEMPORARY PAVEMENT MARKINGS FOR A NO-PASSING ZONE



KCI Engineers • Planners • Scientists • Construction Managers
 4601 Six Forks Road, Landmark Center II, Suite 220
 Raleigh, NC 27609-5210
 Phone (919) 783-9214 • Fax (919) 783-9266

APPROVED: *Erwan Hough* DATE: 4/4/2022
 SEAL



TEMPORARY TRAFFIC CONTROL PHASE 2 DETAIL