
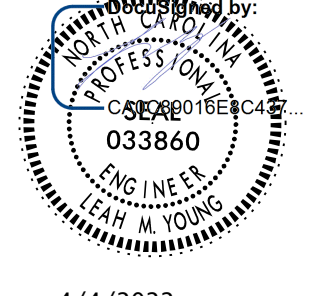

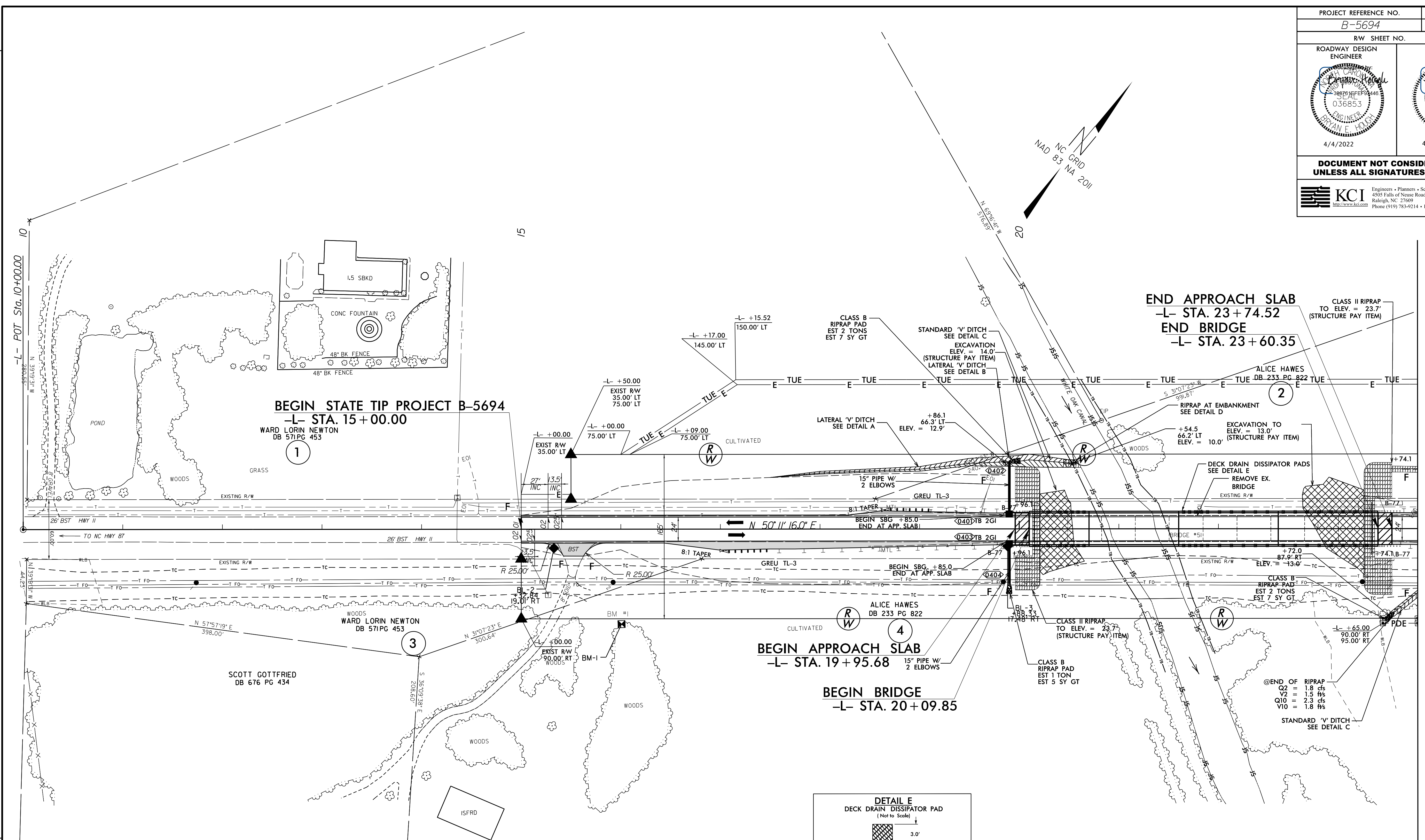


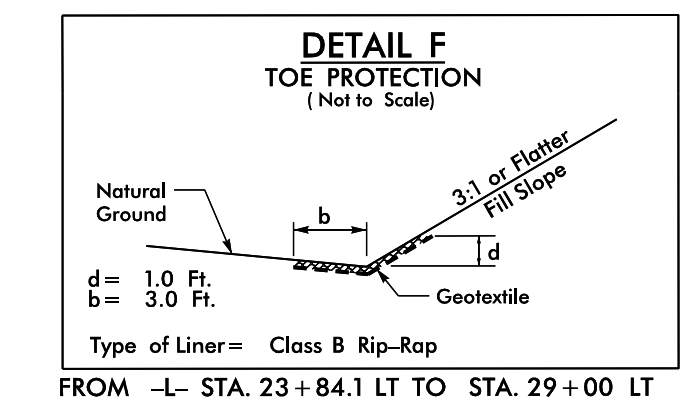
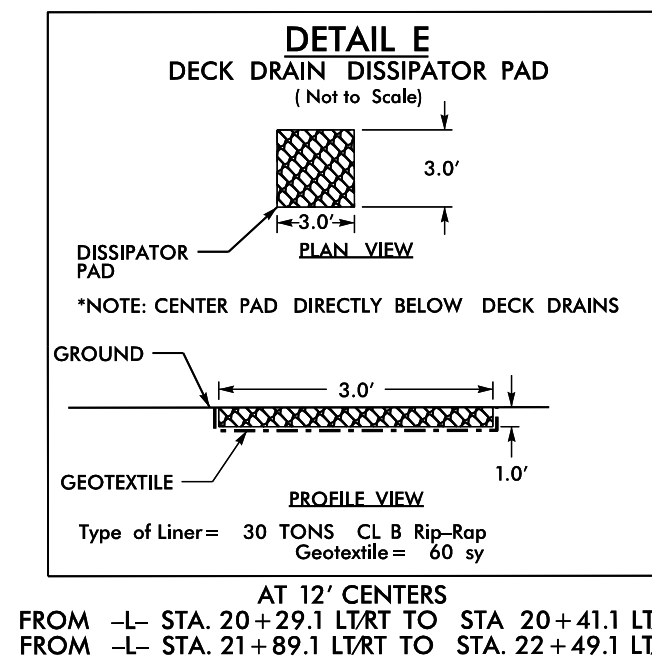
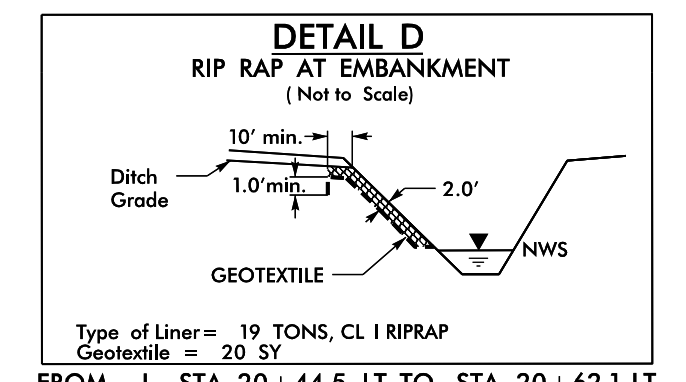
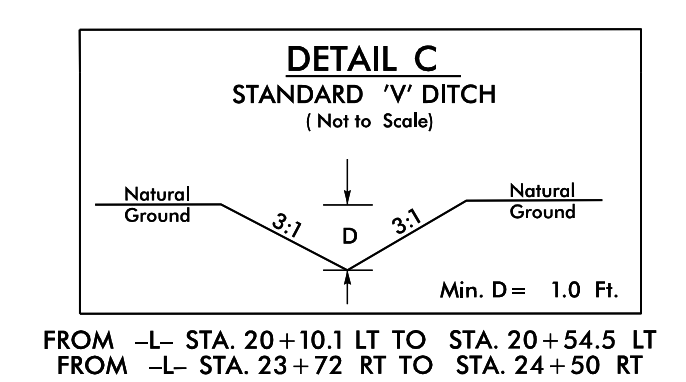
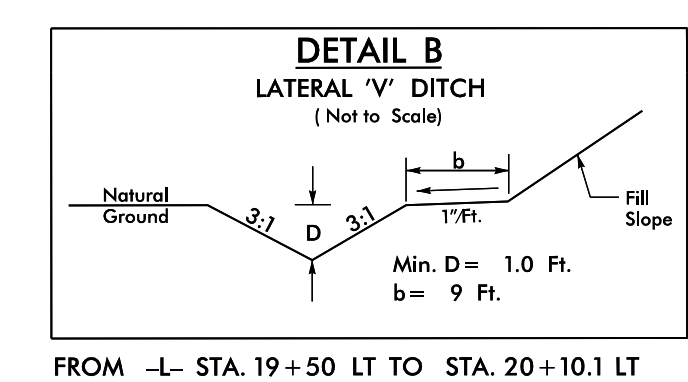
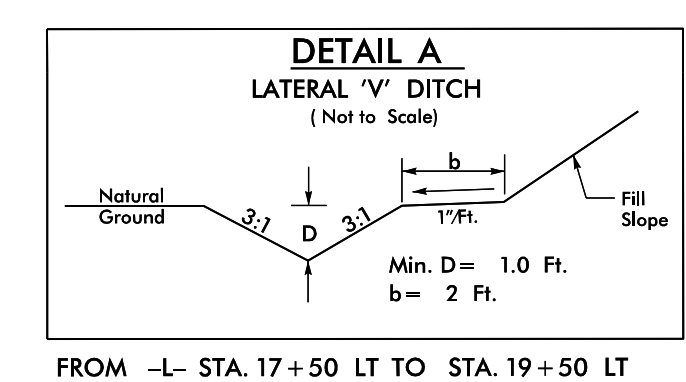
8/17/99

PROJECT REFERENCE NO. <b>B-5694</b>		SHEET NO. <b>4</b>	
ROADWAY DESIGN ENGINEER		HYDRAULICS ENGINEER	
 036853 BRYAN E. HORD 4/4/2022		 033860 TEAM M. YOUNG 4/4/2022	
<b>DOCUMENT NOT CONSIDERED FINAL UNLESS ALL SIGNATURES COMPLETED</b>			
 KCI Engineers • Planners • Scientists • Construction Managers 4505 Falls of Neuse Road, Suite 400 Raleigh, NC 27609 Phone (919) 783-9214 • Fax (919) 783-9266			

REVISIONS



MATCH LINE STA. 24+00.0 - SEE SHEET 5



FOR -L- PROFILE SEE SHEET 8  
FOR DETOUR SEE SHEETS 6/7  
FOR STRUCTURES SEE SHEETS S-1 TO S-37

23-MAR-2022 13:18  
M:\2018\180194512 B-5694\Roadway\Proj\B-5694\_Rdy\_pah.dgn  
BRYAN E. HORD