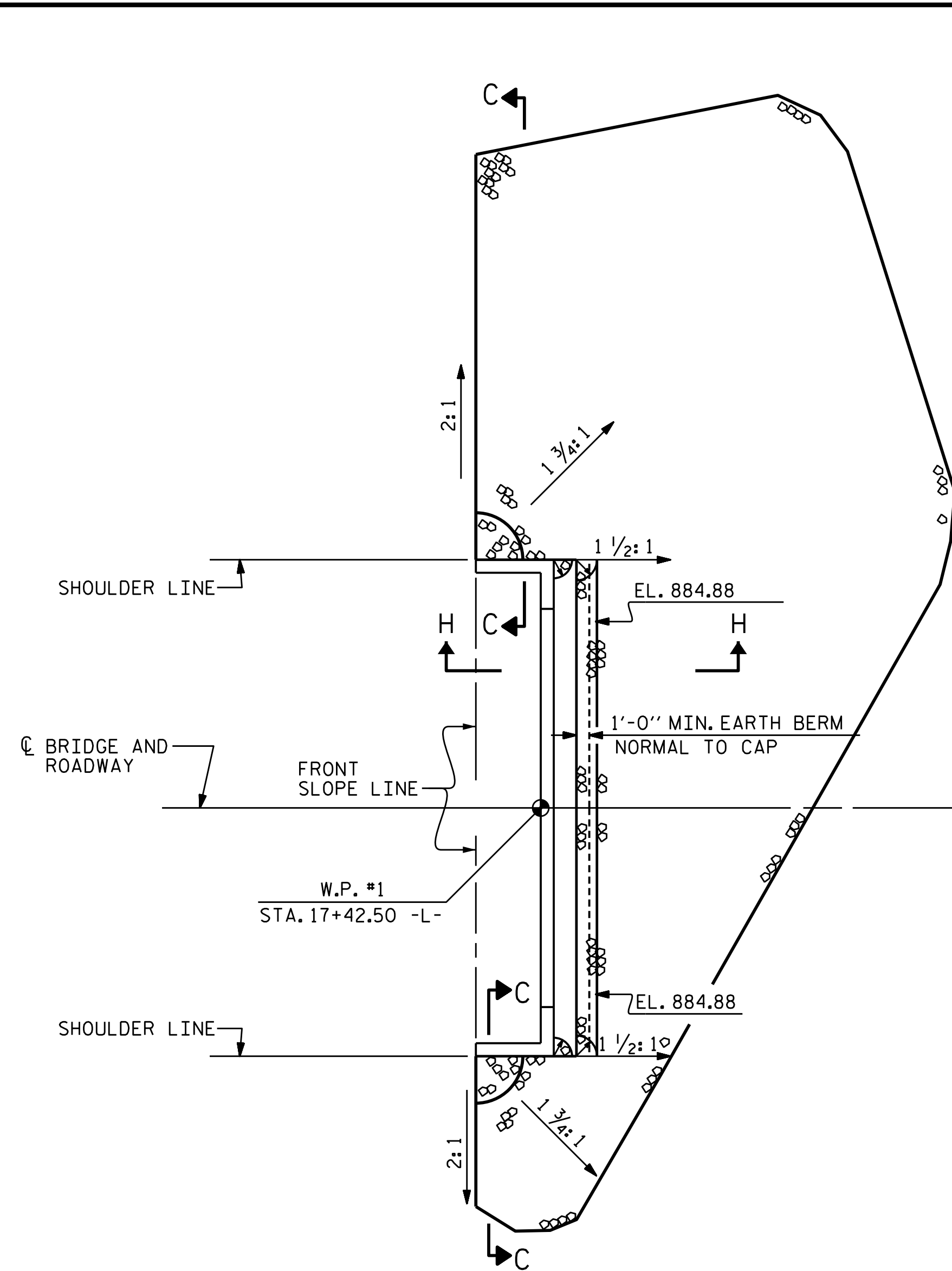
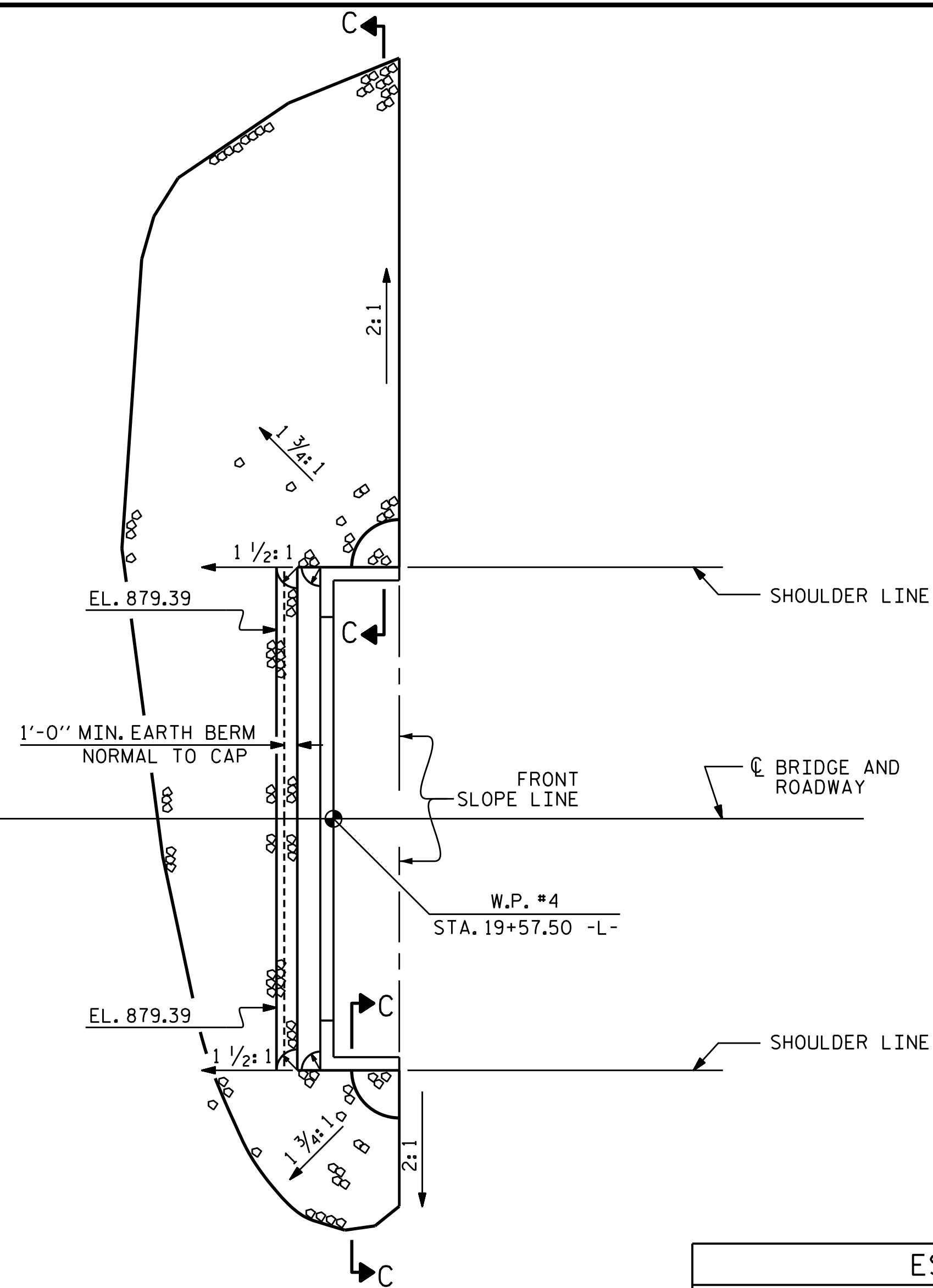


NOTES :
FOR BERM WIDTH DIMENSIONS, SEE GENERAL DRAWING.

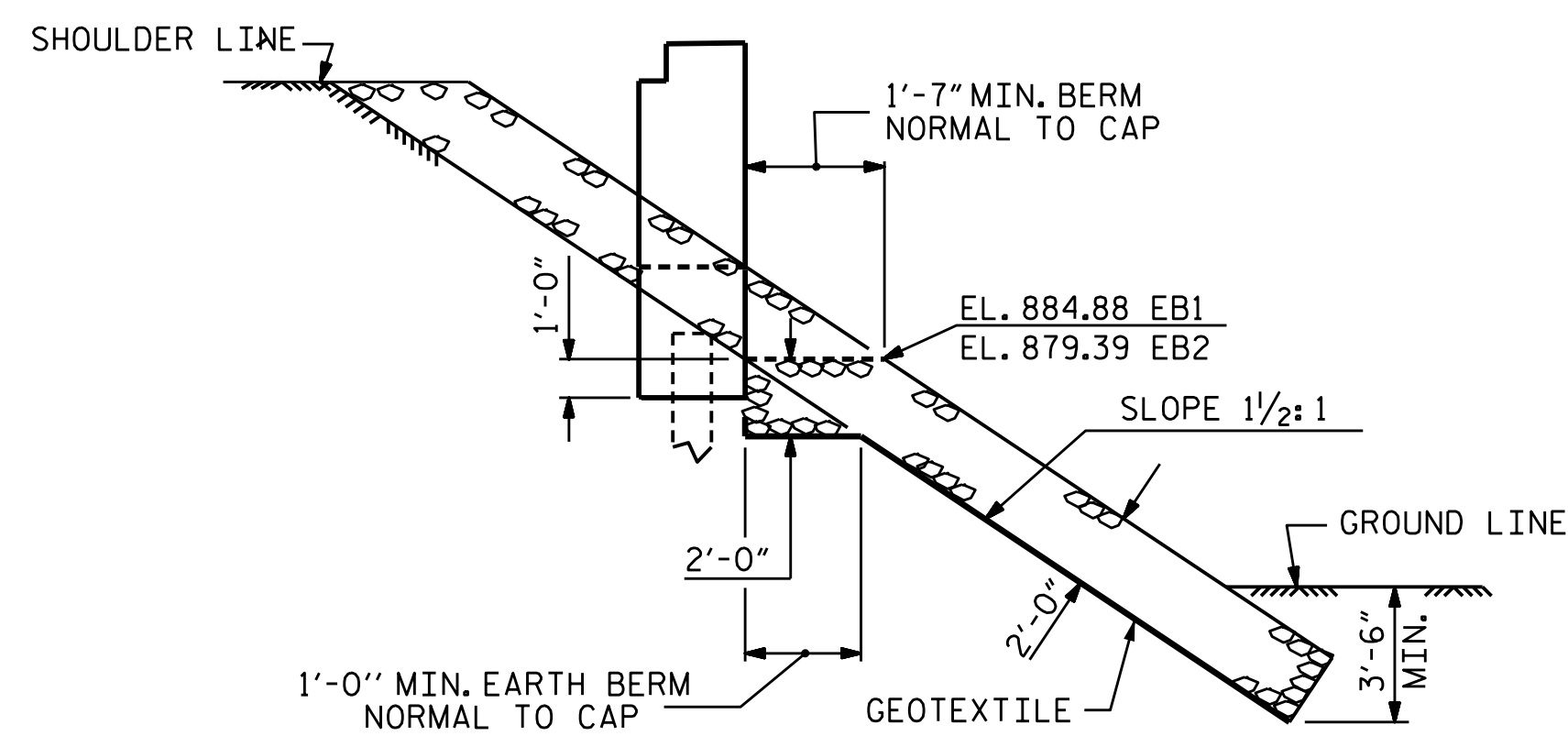


INTEGRAL END BENT 1

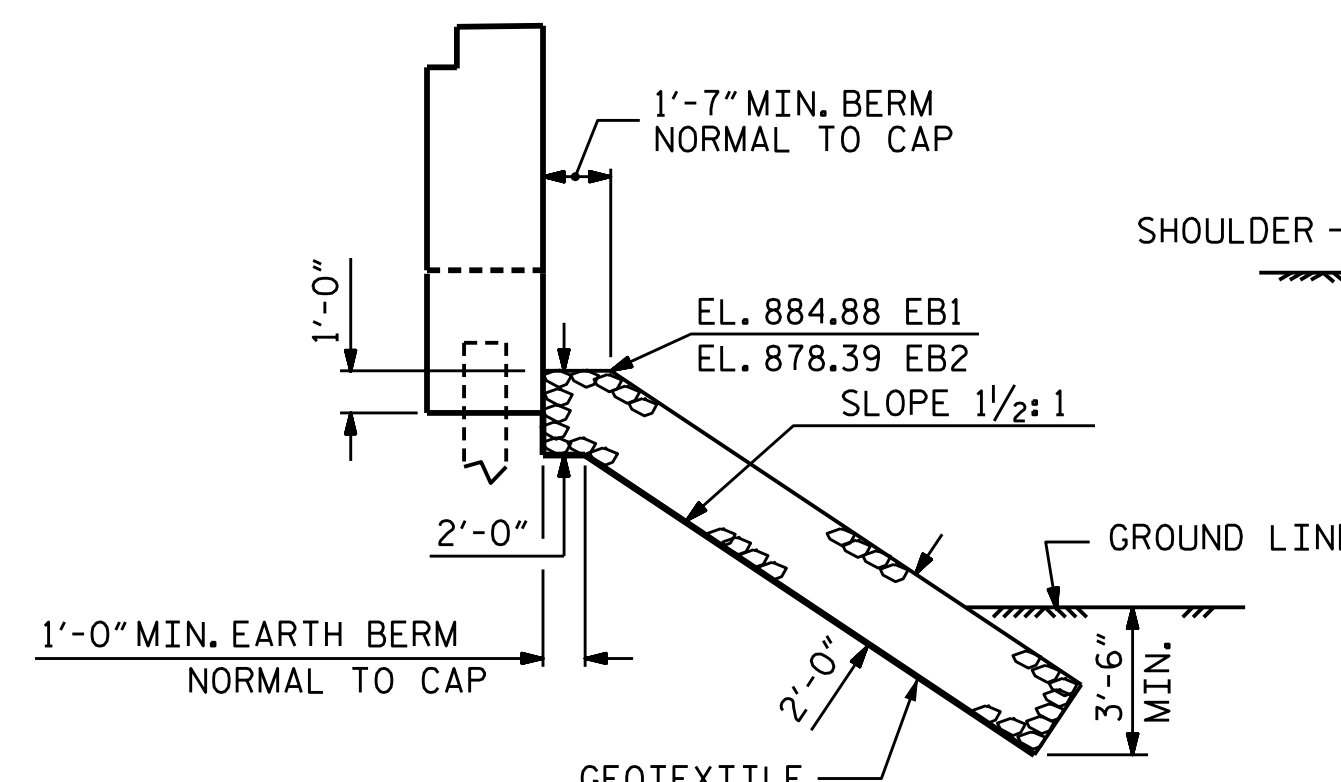


INTEGRAL END BENT 2

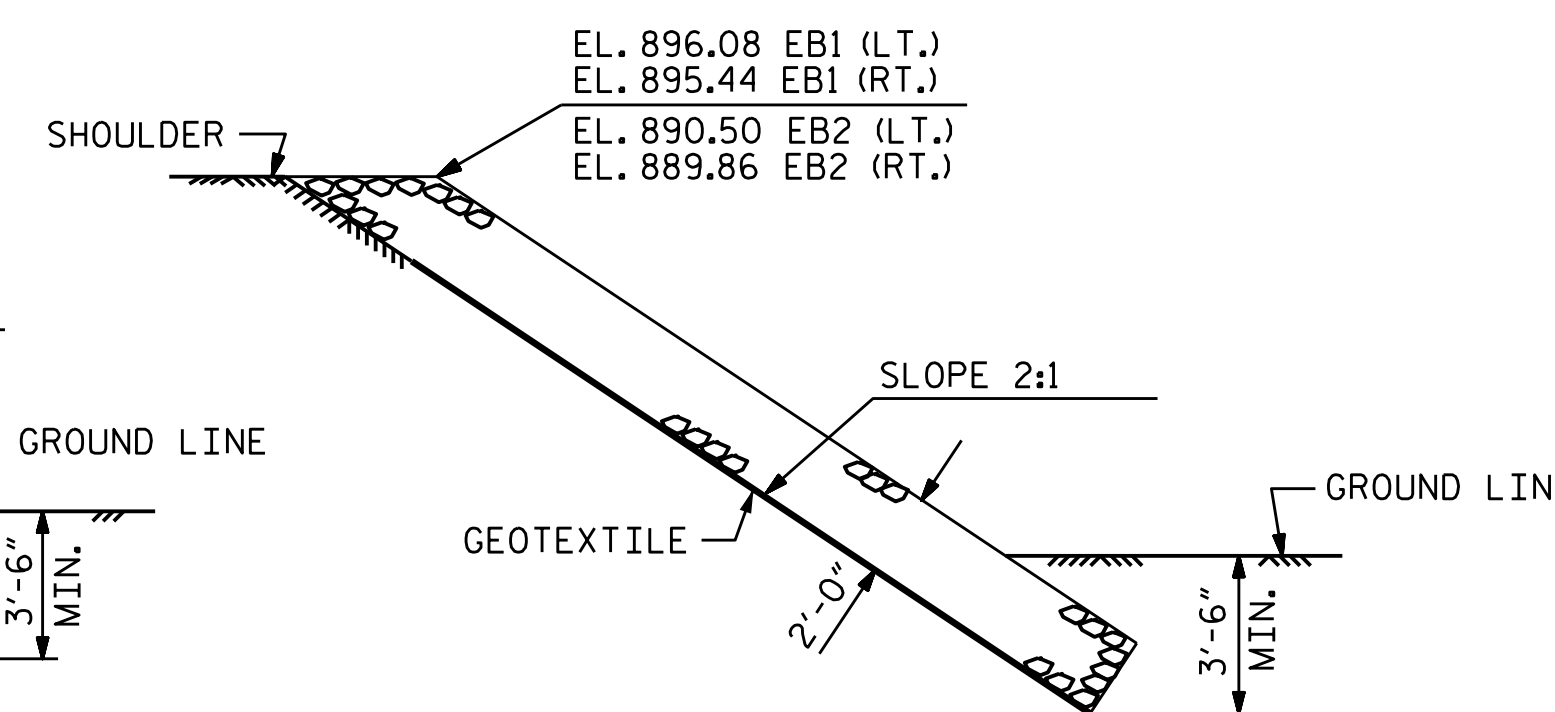
ESTIMATED QUANTITIES		
BRIDGE @ STA. 18+50.00 -L-	RIP RAP CLASS II (2'-0" THICK)	GEOTEXTILE FOR DRAINAGE
	TONS	SQUARE YARDS
END BENT 1	600	640
END BENT 2	400	450



SECTION H-H

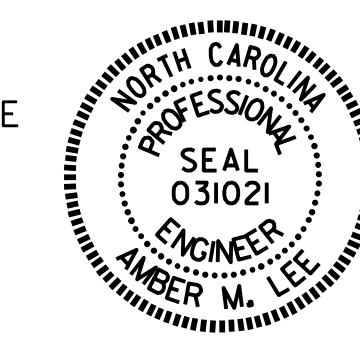


**SECTION C-C
BERM RIP RAPPED**



SECTION C-C

PROJECT NO. BR-0048
SURRY COUNTY
STATION: 18+50.00 -L-



STATE OF NORTH CAROLINA
DEPARTMENT OF TRANSPORTATION
RALEIGH
STANDARD
— RIP RAP DETAILS —

ASSEMBLED BY : C. RUIZ	DATE : 02/2021
CHECKED BY : K. PUROHIT	DATE : 03/2021
DRAWN BY : REK 1/84	REV. 5/1/06R TLA/GM
CHECKED BY : RDU 1/84	REV. 10/1/11 MAA/GM
	REV. 12/21/11 MAA/GM

DOCUMENT NOT CONSIDERED
FINAL UNLESS ALL
SIGNATURES COMPLETED

REVISIONS						SHEET NO.
NO.	BY:	DATE:	NO.	BY:	DATE:	S-31
1			3			TOTAL SHEETS
2			4			33