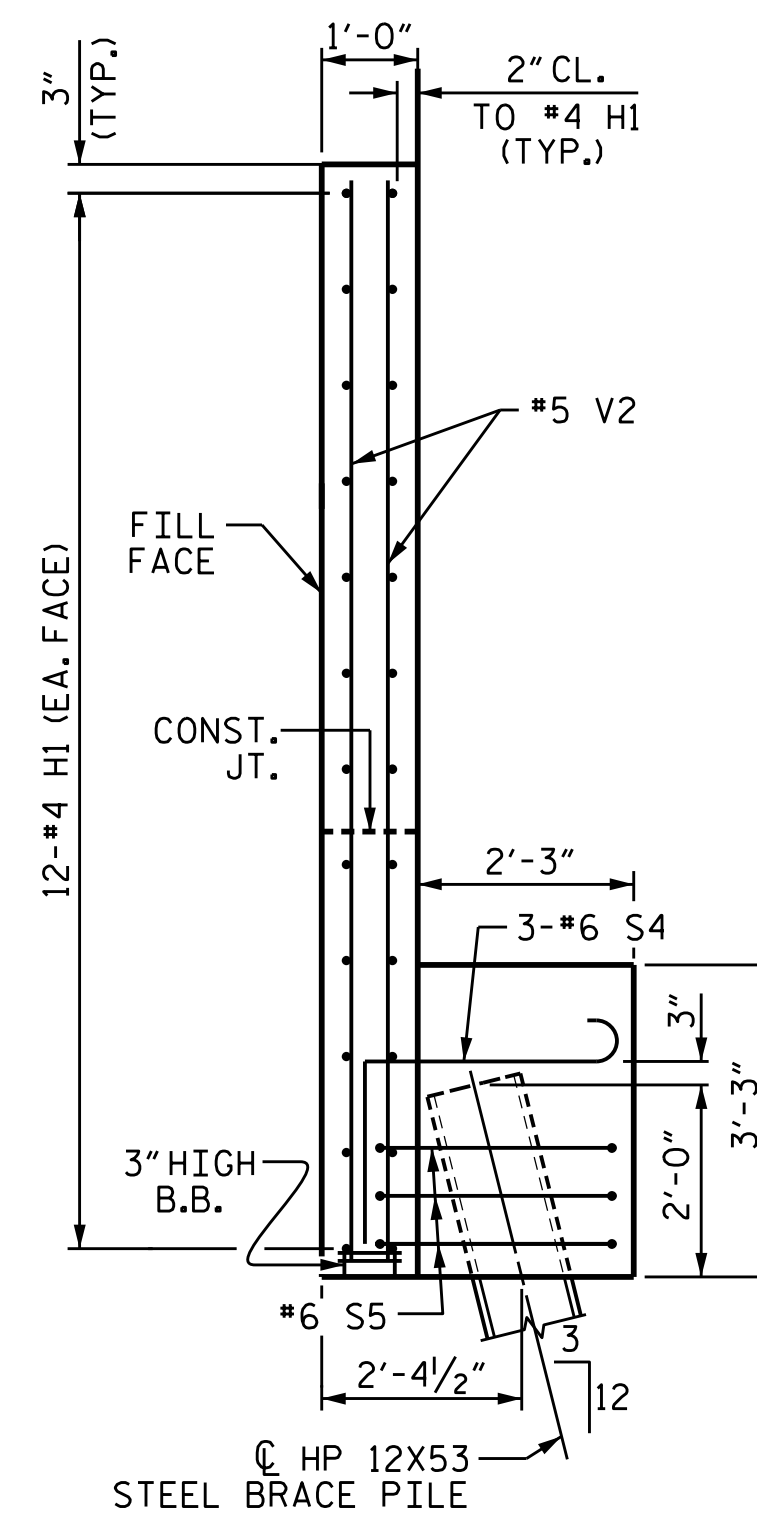
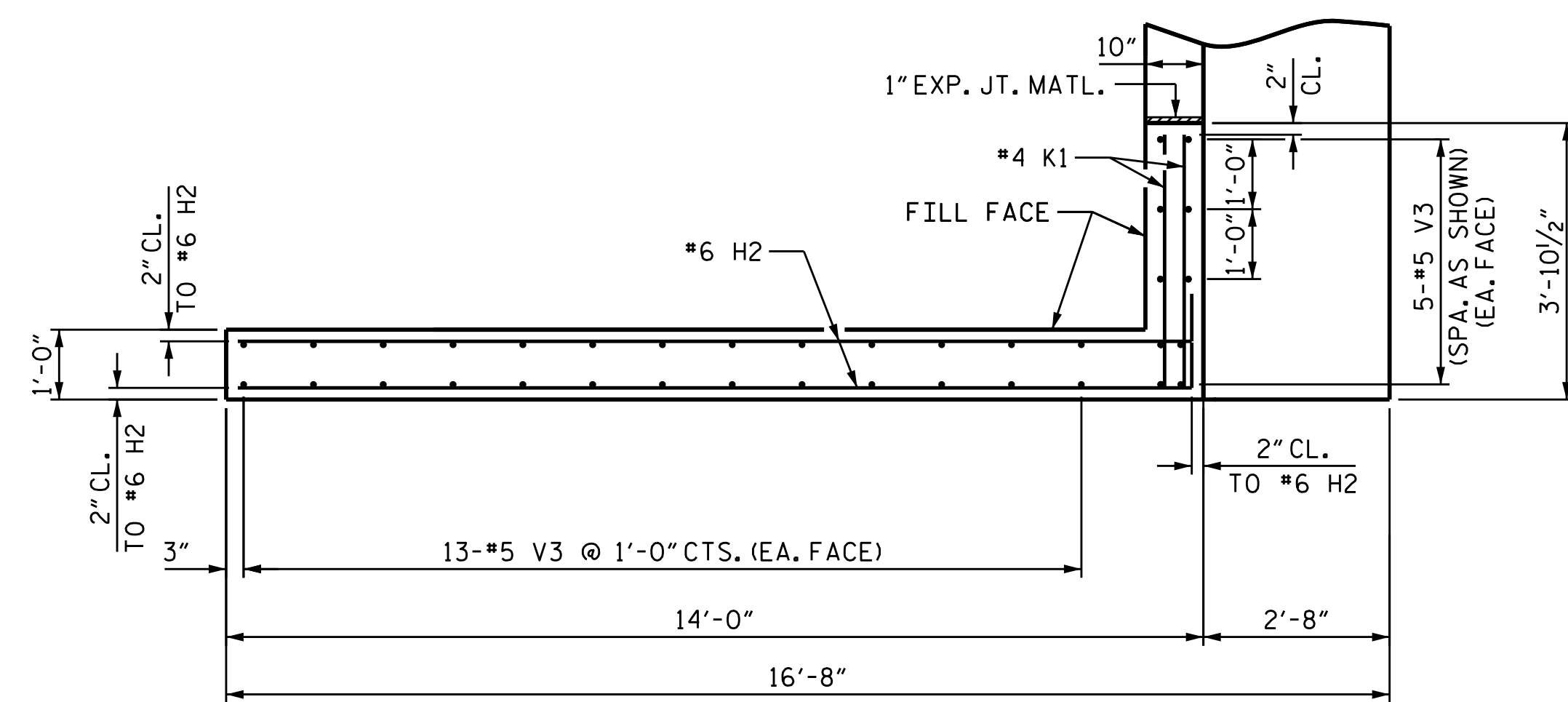


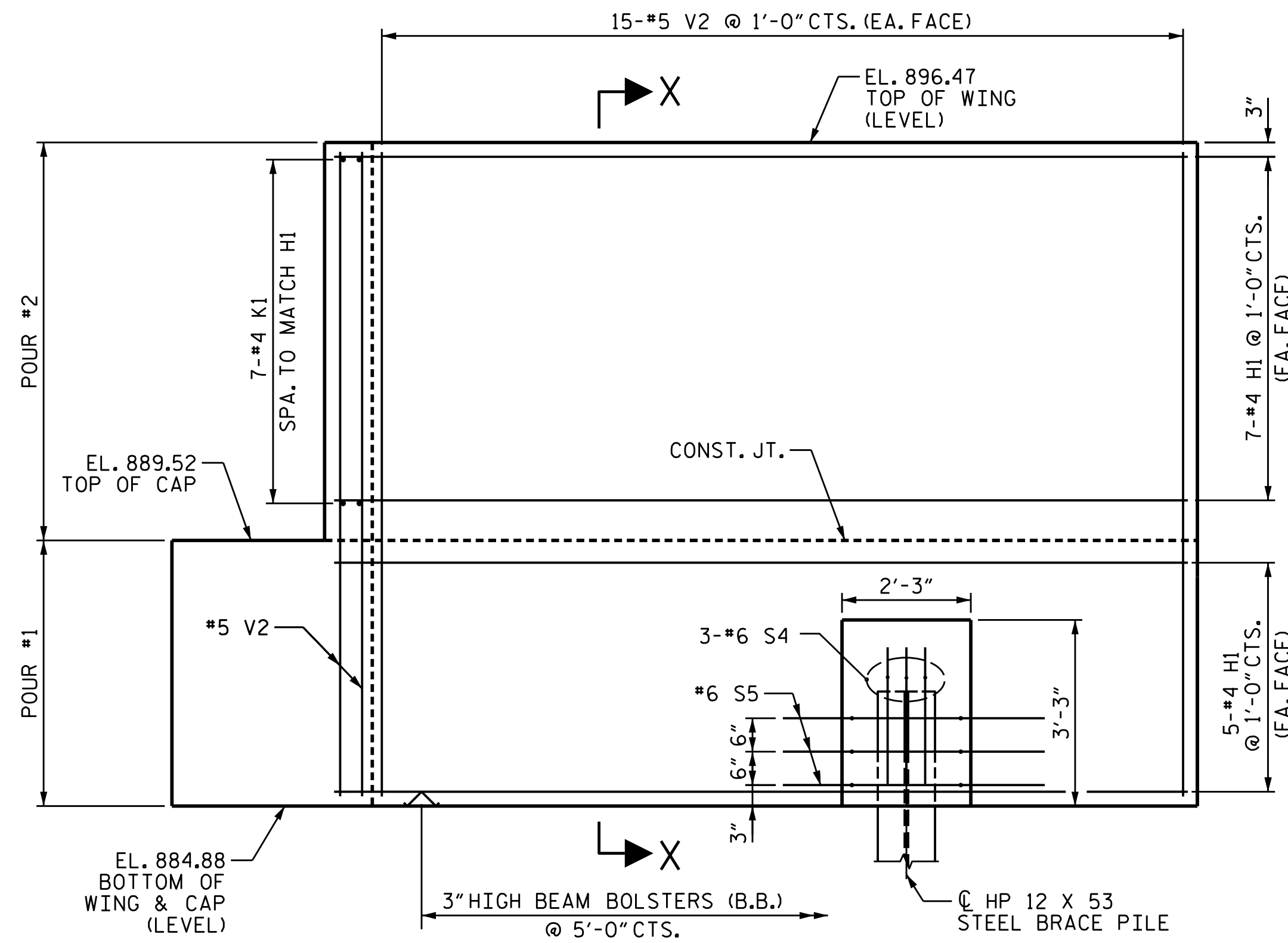
PLAN OF LEFT WING - W1



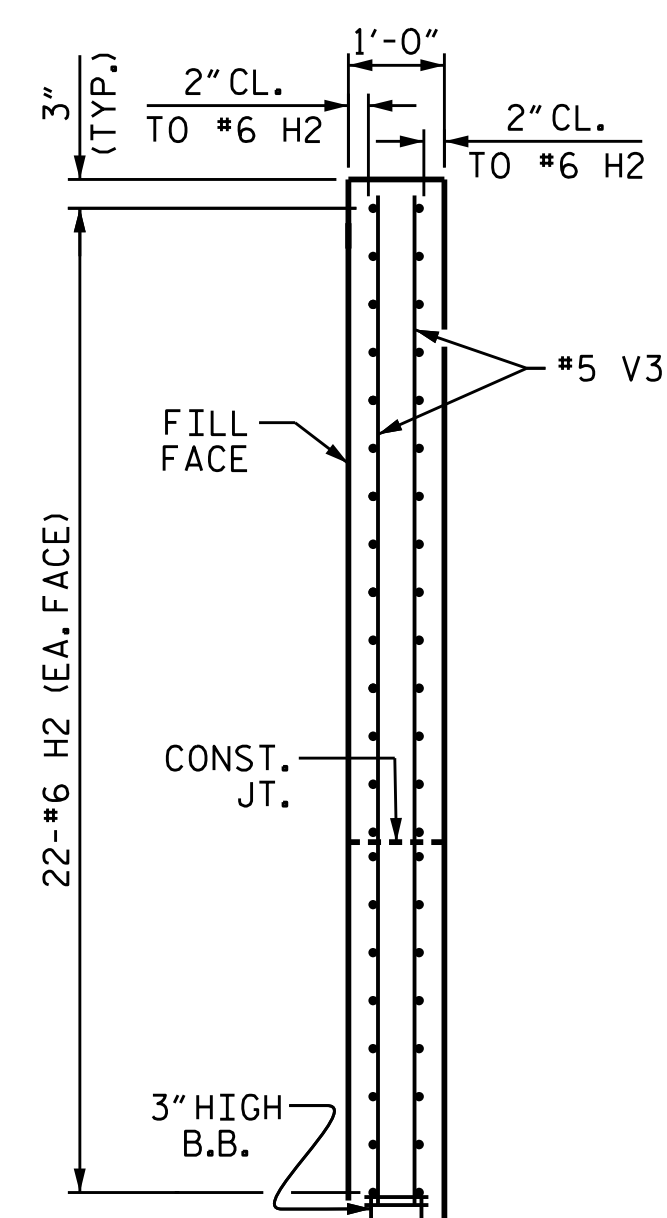
SECTION X-X



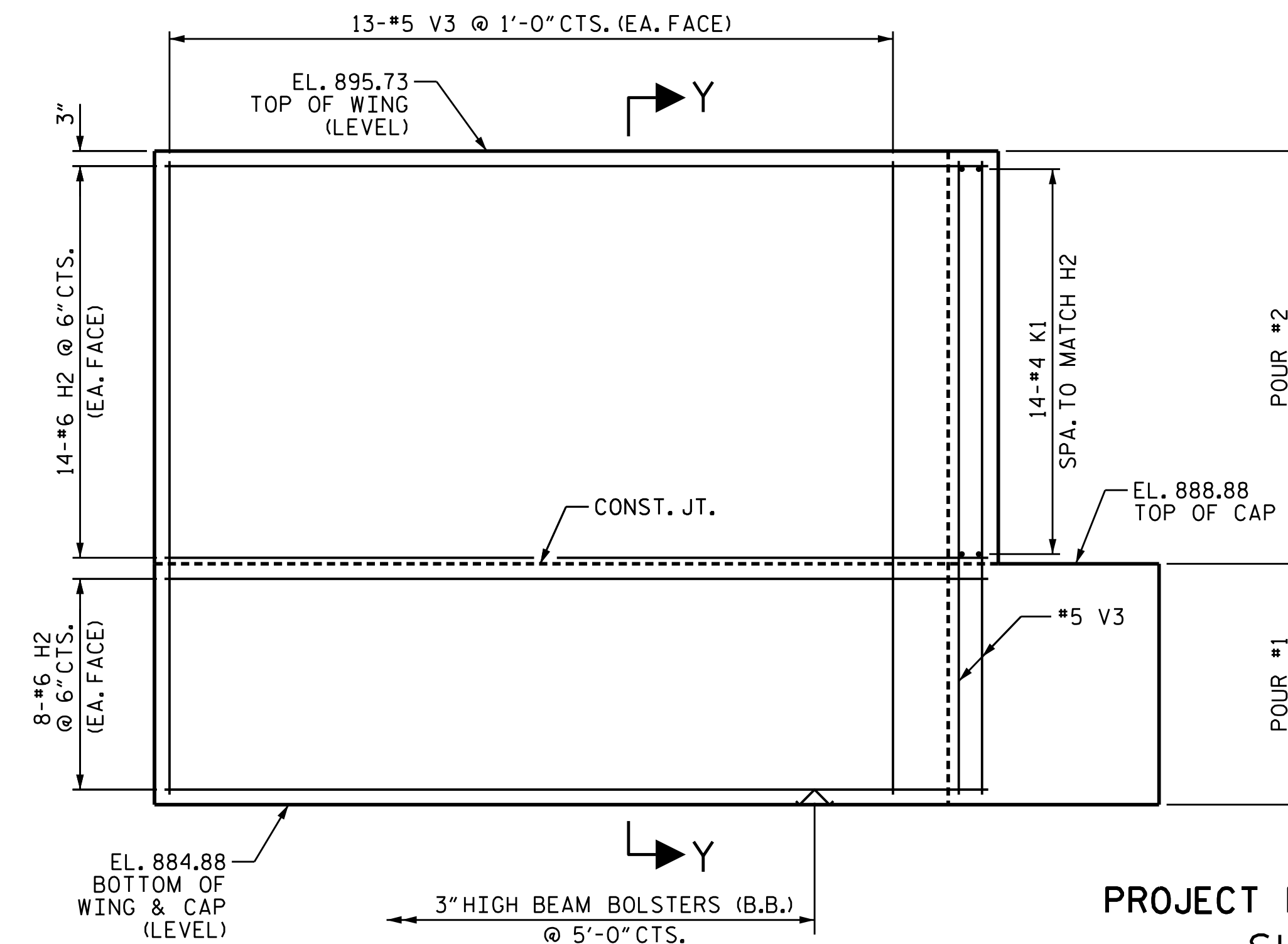
PLAN OF RIGHT WING - W2



ELEVATION OF LEFT WING - W1



SECTION Y-Y



ELEVATION OF RIGHT WING - W2

PROJECT NO. BR-0048
 SURRY COUNTY
 STATION: 18+50.00 -L-

SHEET 2 OF 3



STATE OF NORTH CAROLINA
 DEPARTMENT OF TRANSPORTATION
 RALEIGH

SUBSTRUCTURE
 INTEGRAL
 END BENT 1

DRAWN BY: M. G. SHAIKH DATE: 10/2020
 CHECKED BY: K. PUROHIT DATE: 02/2021
 DESIGN ENGINEER OF RECORD: J. A. I. DATE: 07/2020

DOCUMENT NOT CONSIDERED
 FINAL UNLESS ALL
 SIGNATURES COMPLETED

REVISIONS						SHEET NO.	
NO.	BY:	DATE:	NO.	BY:	DATE:	S-22	
1			3			TOTAL SHEETS	
2			4			33	