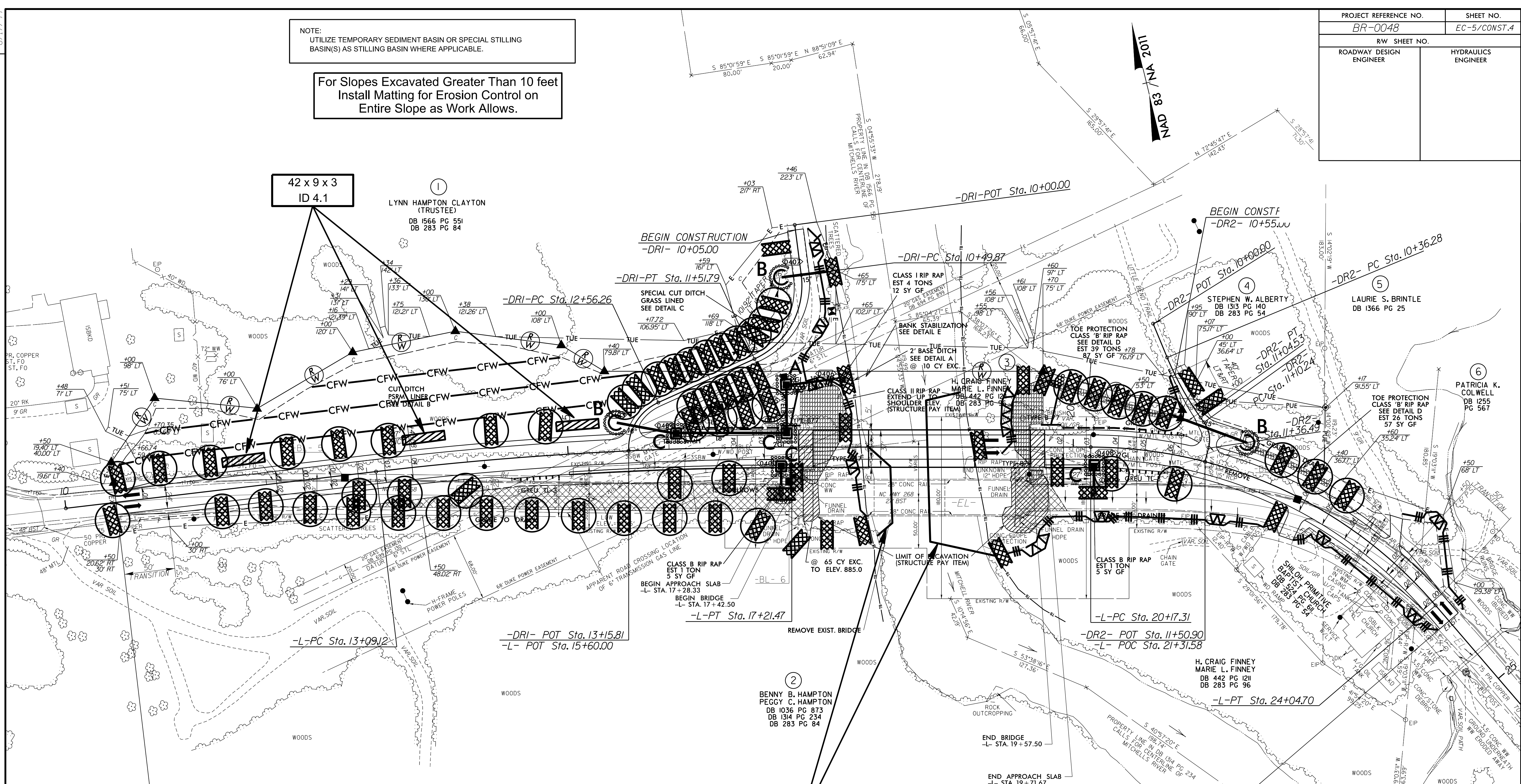


PROJECT REFERENCE NO.	SHEET NO.
BR-0048	EC-5/CONST.4
RW SHEET NO.	
ROADWAY DESIGN ENGINEER	HYDRAULICS ENGINEER

NOTE:  
UTILIZE TEMPORARY SEDIMENT BASIN OR SPECIAL STILLING BASIN(S) AS STILLING BASIN WHERE APPLICABLE.

For Slopes Excavated Greater Than 10 feet  
Install Matting for Erosion Control on  
Entire Slope as Work Allows.

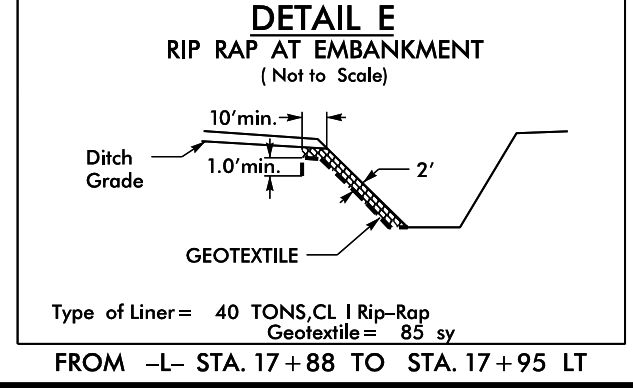
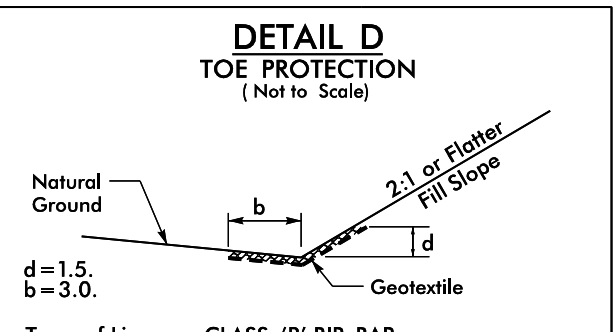
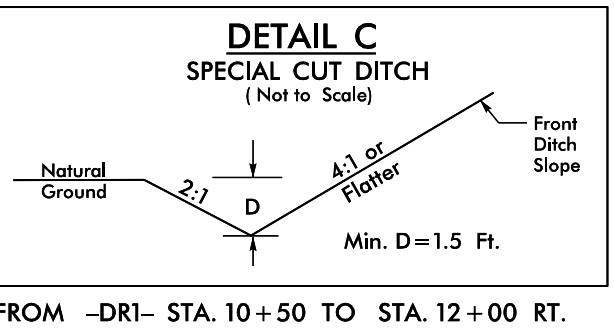
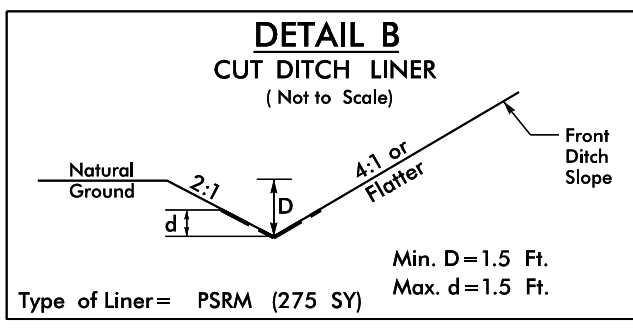
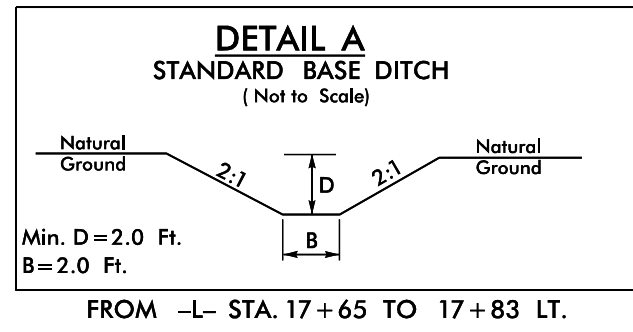


**BEGIN TIP PROJECT BR-0048**  
-L- STA. 10+50.00

**END TIP PROJECT BR-0048**  
-L- STA. 24+25.00

FLOATING TURBIDITY CURTAIN (to extend around temp work pads)

Place Matting for Erosion Control on Slope as Work Allows.  
Sta. 16+00 to Sta. 17+30 -L- LT  
Sta. 19+60 to 21+00 -L- LT



NOTES:  
ALL DRIVEWAY RADII ARE 10'  
SEE SHEETS S-1 THRU S-32 FOR STRUCTURE PLANS  
SEE SHEET 5 FOR PROFILES OF -L-, -DRI AND -DR2-

REVISIONS

02-MAY-2022 12:28 R:\Projects\Design\BR0048\_EC\_psh04.dgn  
\$\$\$\$\$\$  
\$\$\$\$\$