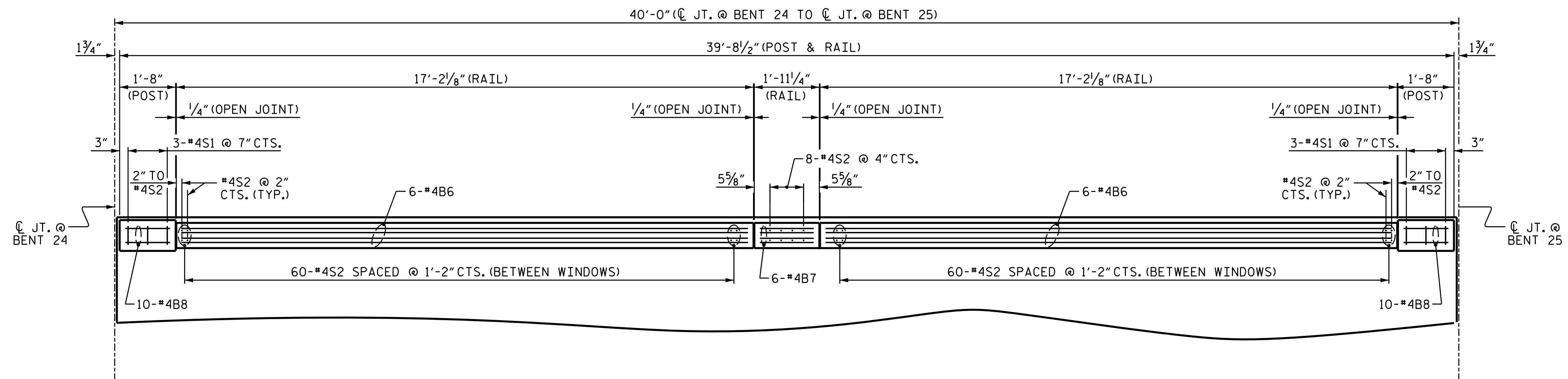


**ELEVATION OF CLASSIC CONCRETE BRIDGE RAIL**

LEFT SIDE SHOWN, RIGHT SIDE SIMILAR.  
DIMENSIONS ARE GIVEN ALONG OUTSIDE EDGE OF SUPERSTRUCTURE.

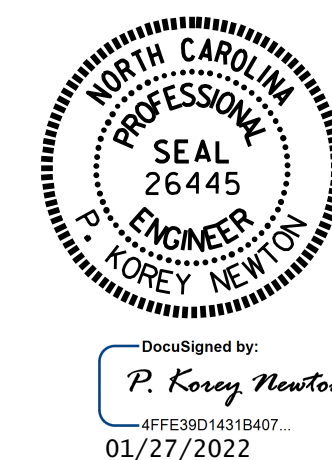


**PLAN OF CLASSIC CONCRETE BRIDGE RAIL**

LEFT SIDE SHOWN, RIGHT SIDE SIMILAR.  
WINDOWS NOT SHOWN FOR CLARITY.  
DIMENSIONS ARE GIVEN ALONG OUTSIDE OF SUPERSTRUCTURE.

PROJECT NO. 15BPR.56  
BEAUFORT COUNTY  
BRIDGE NO. 060028

SHEET 1 OF 2



STATE OF NORTH CAROLINA  
DEPARTMENT OF TRANSPORTATION  
RALEIGH

SUPERSTRUCTURE  
CLASSIC CONCRETE  
BRIDGE RAIL  
(SPAN 25)

DRAWN BY : M.K. BEARD DATE : 11/18/21  
CHECKED BY : O.T. NGUYEN DATE : 12/2021  
DESIGN ENGINEER OF RECORD: D. SHACKELFORD DATE : 12/2021

1/24/2022  
R:\Structures\Plans\Bridges\060028\403.151.15BPR56.SMU.CBR1.076.060028.dgn  
pknewton

DOCUMENT NOT CONSIDERED  
FINAL UNLESS ALL  
SIGNATURES COMPLETED

REVISIONS						SHEET NO.
NO.	BY:	DATE:	NO.	BY:	DATE:	
1			3			S3-76
2			4			TOTAL SHEETS 78