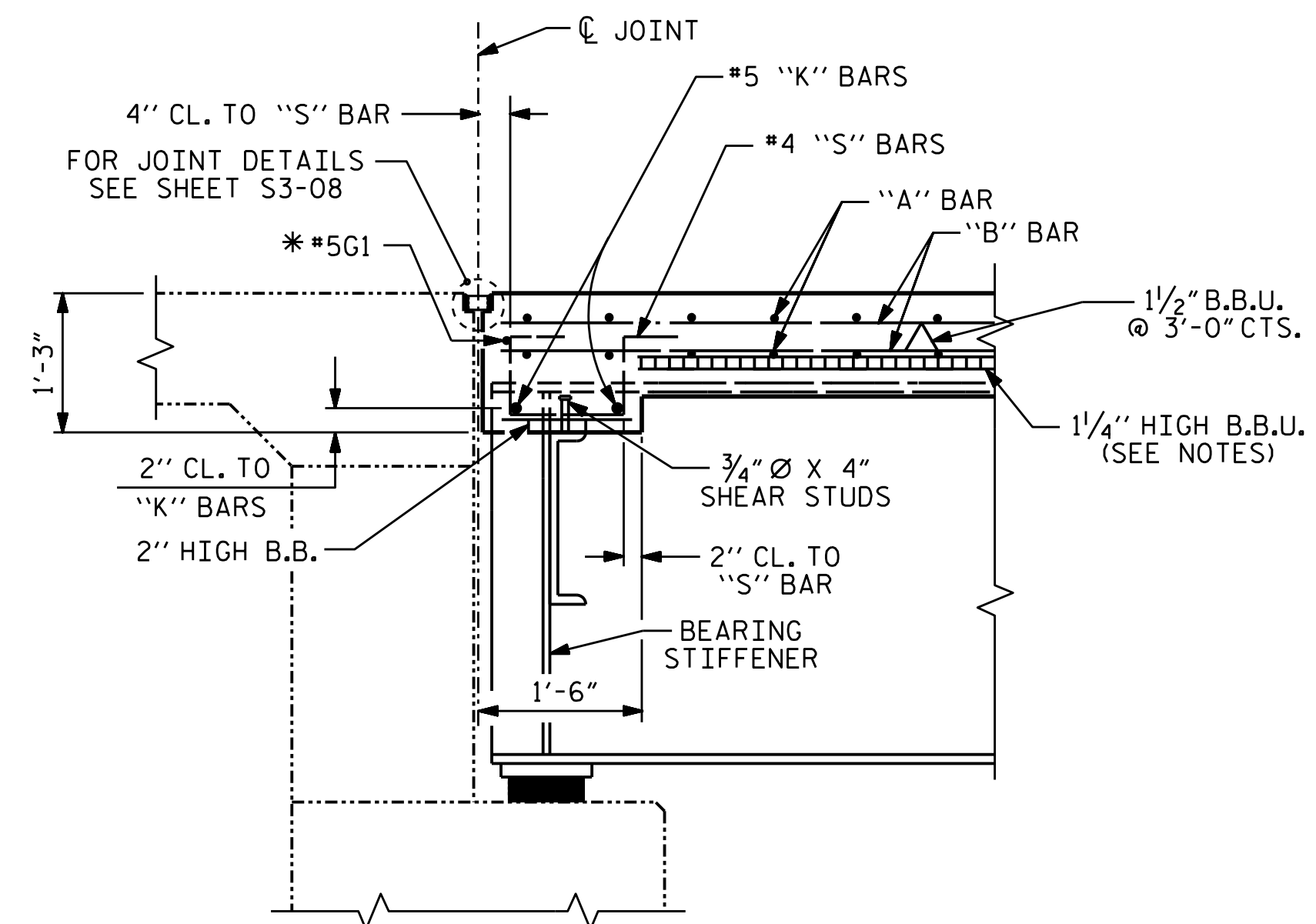


SECTION THRU SIDEWALK



SECTION @ BENT DIAPHRAGM

* #5G1 MAY BE SHIFTED SLIGHTLY, AS NECESSARY, TO CLEAR DIAPHRAGM AND REINFORCING STEEL.

PROJECT NO. 15BPR.56
BEAUFORT COUNTY
 BRIDGE NO. 060028

SHEET 2 OF 2



Designed by:
P. Corey Newton
 AFFE8014318407...
 01/27/2022

STATE OF NORTH CAROLINA
 DEPARTMENT OF TRANSPORTATION
 RALEIGH

SUPERSTRUCTURE
 TYPICAL SECTION
 (SPAN 25)

DRAWN BY : M.K. BEARD DATE : 11/3/21
 CHECKED BY : O.T. NGUYEN DATE : 12/2021
 DESIGN ENGINEER OF RECORD: D. SHACKELFORD DATE : 12/2021

1/24/2022
 R:\Structures\Plans\Bridges\060028\403.137.15BPR56.SMU.TS2.069.060028.dgn
 pknewton

DOCUMENT NOT CONSIDERED
 FINAL UNLESS ALL
 SIGNATURES COMPLETED

REVISIONS						SHEET NO.
NO.	BY:	DATE:	NO.	BY:	DATE:	S3-69
1			3			TOTAL SHEETS
2			4			78