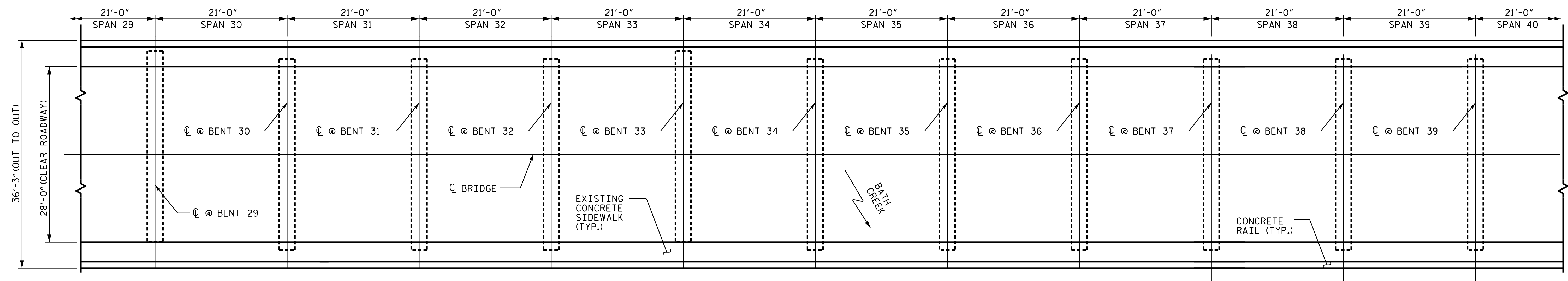


**ELEVATION**  
(SECTION ALONG CL ROADWAY)



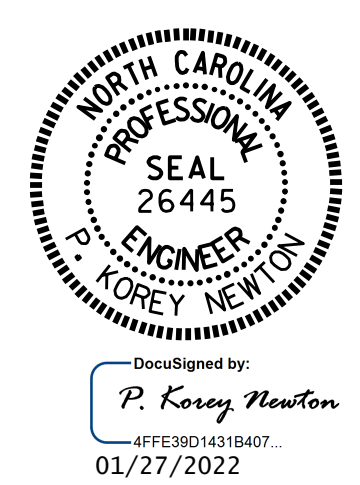
1050'-6" (FILL FACE TO FILL FACE)



**PLAN**  
(PILES NOT SHOWN FOR CLARITY)

PROJECT NO. 15BPR.56  
BEAUFORT COUNTY  
 BRIDGE NO. 060028

SHEET 4 OF 5



STATE OF NORTH CAROLINA  
 DEPARTMENT OF TRANSPORTATION  
 RALEIGH  
**GENERAL DRAWING**  
 FOR BRIDGE ON NC 92  
 OVER BATH CREEK  
 BETWEEN  
 SR 1339 AND SR 1741

DRAWN BY : S. T. SANDOR DATE : 08/2021  
 CHECKED BY : W. C. SMITH DATE : 08/2021

DOCUMENT NOT CONSIDERED  
 FINAL UNLESS ALL  
 SIGNATURES COMPLETED

REVISIONS						SHEET NO.
NO.	BY:	DATE:	NO.	BY:	DATE:	
1			3			S3-04
2			4			TOTAL SHEETS 78