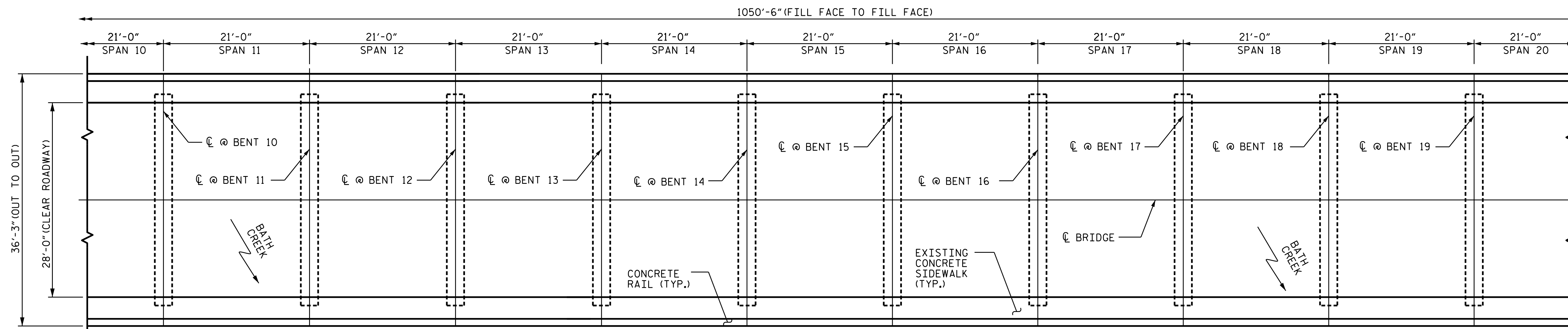


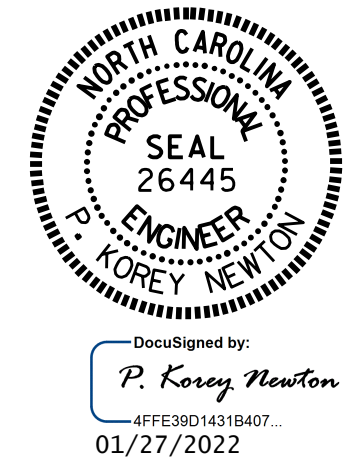
ELEVATION
(SECTION ALONG CL ROADWAY)



PLAN
(PILES NOT SHOWN FOR CLARITY)

PROJECT NO. 15BPR.56
BEAUFORT COUNTY
 BRIDGE NO. 060028

SHEET 2 OF 5



STATE OF NORTH CAROLINA
 DEPARTMENT OF TRANSPORTATION
 RALEIGH
GENERAL DRAWING
 FOR BRIDGE ON NC 92
 OVER BATH CREEK
 BETWEEN
 SR 1339 AND SR 1741

DRAWN BY : S. T. SANDOR DATE : 08/2021
 CHECKED BY : W. C. SMITH DATE : 08/2021

DOCUMENT NOT CONSIDERED
 FINAL UNLESS ALL
 SIGNATURES COMPLETED

REVISIONS						SHEET NO.
NO.	BY:	DATE:	NO.	BY:	DATE:	S3-02
1			3			TOTAL SHEETS
2			4			78