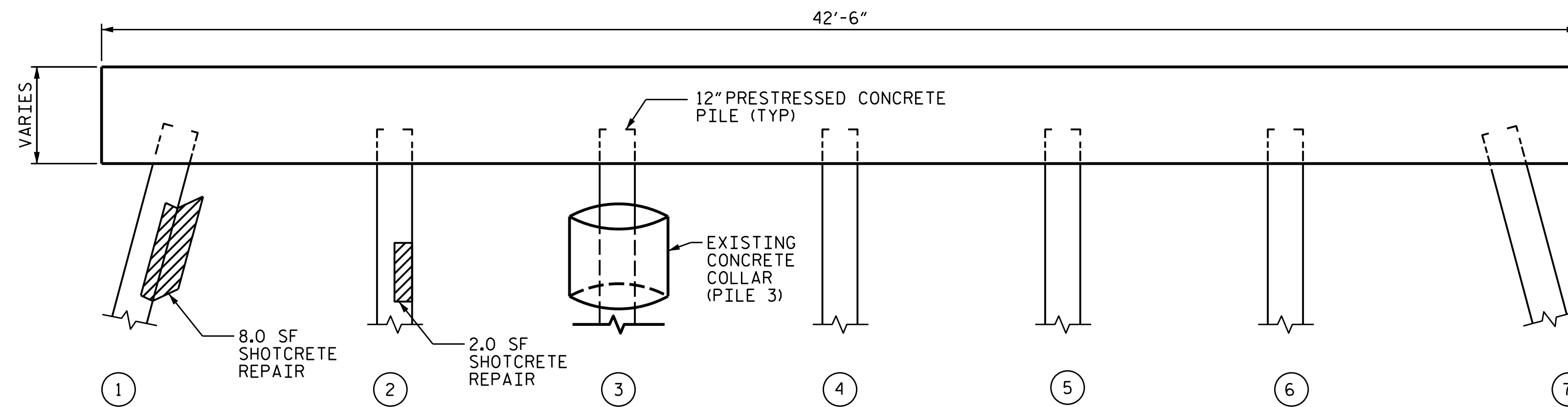
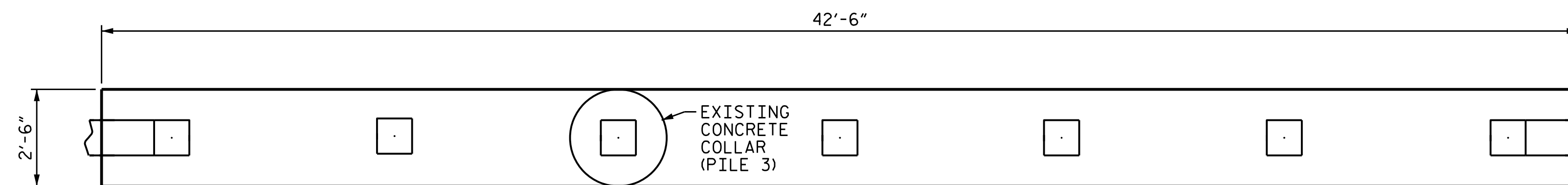


END VIEW
(WEST SIDE)

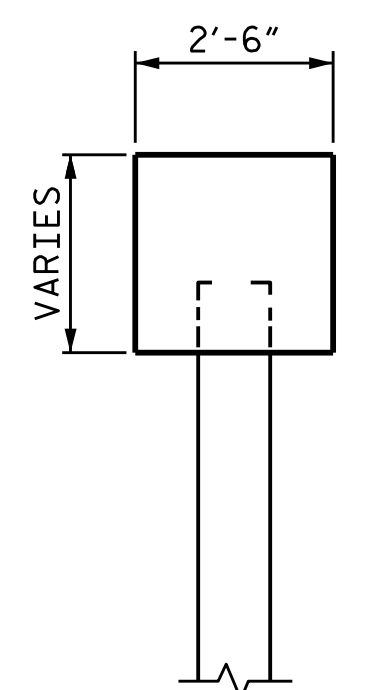


ELEVATION BENT 4
(SOUTH SIDE)
(LOOKING NORTH)

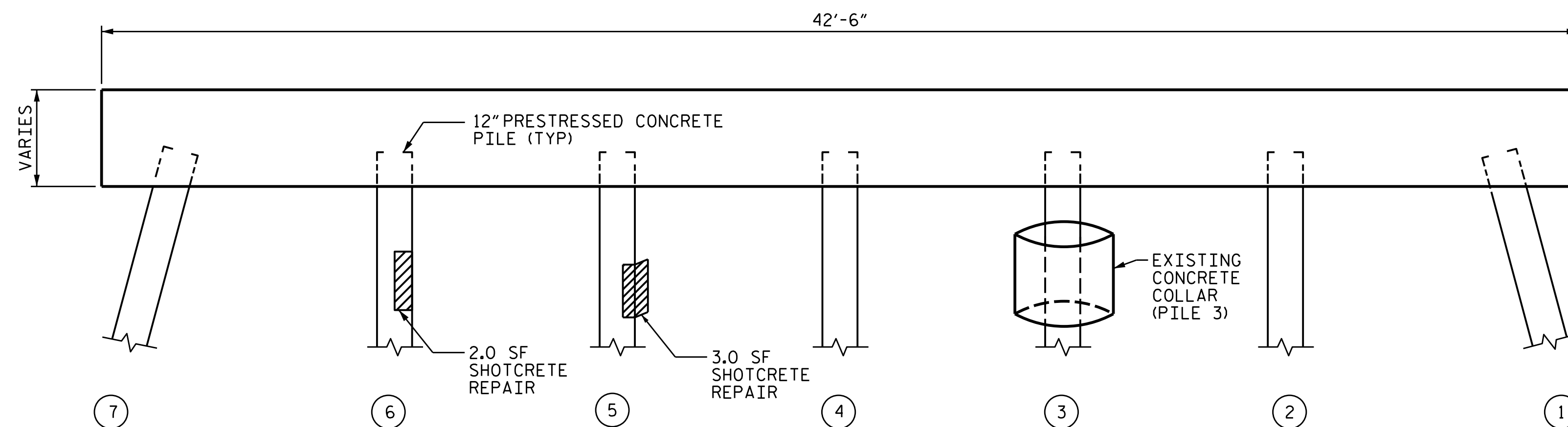


BOTTOM OF CAP

SPAN D
SPAN E



END VIEW
(EAST SIDE)



ELEVATION BENT 4
(NORTH SIDE)
(LOOKING SOUTH)

AS-BUILT REPAIR QUANTITY TABLE

BENT 4	QUANTITIES			
	ESTIMATE		ACTUAL	
SHOTCRETE REPAIRS	AREA SO. FT.	VOLUME CU. FT.	AREA SO. FT.	VOLUME CU. FT.
CAP	0.0	0.0		
COLUMN	15.0	7.5		
CONCRETE REPAIRS	AREA SO. FT.	VOLUME CU. FT.	AREA SO. FT.	VOLUME CU. FT.
CAP	0.0	0.0		
COLUMN	0.0	0.0		
EPOXY RESIN INJECTION	LIN. FT.		LIN. FT.	
CAP	0.0			
COLUMN	0.0			

VALUES IN CHART REPRESENT ESTIMATED REPAIR TOTALS AFTER REMOVAL OF UNSOUND CONCRETE, MINIMUM OF 1" BEHIND REBAR AND MINIMUM 2" CLEARANCE TO SAWCUT. SEE "TYPICAL CAP AND COLUMN REPAIR DETAILS" SHEET.

NOTES

REPAIR LOCATIONS AND ESTIMATE OF QUANTITIES ARE GIVEN BASED ON THE BEST INFORMATION AVAILABLE. IF ADDITIONAL REPAIRS NOT SHOWN ON THE DRAWINGS ARE DEEMED NECESSARY BY THE ENGINEER, THE ENGINEER SHALL NOTE ON THE DRAWINGS THE APPROXIMATE LOCATION AND DESCRIPTION OF THE REPAIRS AND ENTER THE ACTUAL QUANTITIES INTO THE AS-BUILT REPAIR QUANTITY TABLE.

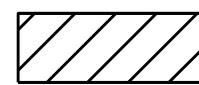

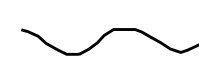

CONCRETE REPAIRS MAYBE SUBSTITUTED IN LIEU OF SHOTCRETE REPAIRS WITH THE APPROVAL OF THE ENGINEER.

FOR SHOTCRETE REPAIRS, SEE SPECIAL PROVISIONS.

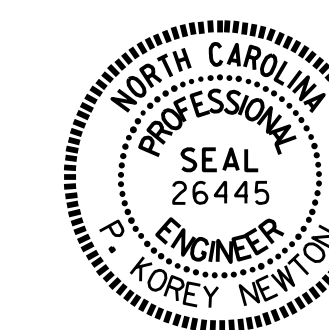
FOR CONCRETE REPAIRS, SEE SPECIAL PROVISIONS.

FOR EPOXY RESIN INJECTION, SEE SPECIAL PROVISIONS.

FOR CAP AND COLUMN REPAIRS, SEE "TYPICAL CAP AND COLUMN REPAIR DETAILS" AND "PRESTRESSED CONCRETE PILE REPAIR DETAILS" SHEETS.

-  SHOTCRETE REPAIR AREA
-  CONCRETE REPAIR AREA
-  ERI - EPOXY RESIN INJECTION
-  PILE NUMBER

PROJECT NO. 15BPR.56
BEAUFORT COUNTY
 BRIDGE NO. 060027



DocuSigned by:
P. Corey Newton
4FFE39D14318407...
01/28/2022

STATE OF NORTH CAROLINA
 DEPARTMENT OF TRANSPORTATION
 RALEIGH

SUBSTRUCTURE
 BENT 4 REPAIR

DRAWN BY : S. T. SANDOR DATE : .04/2021
 CHECKED BY : W. C. SMITH DATE : .06/2021

NO.	REVISIONS			SHEET NO.
	BY:	DATE:	NO.	
1			3	S2-9
2			4	TOTAL SHEETS 9

DOCUMENT NOT CONSIDERED FINAL UNLESS ALL SIGNATURES COMPLETED