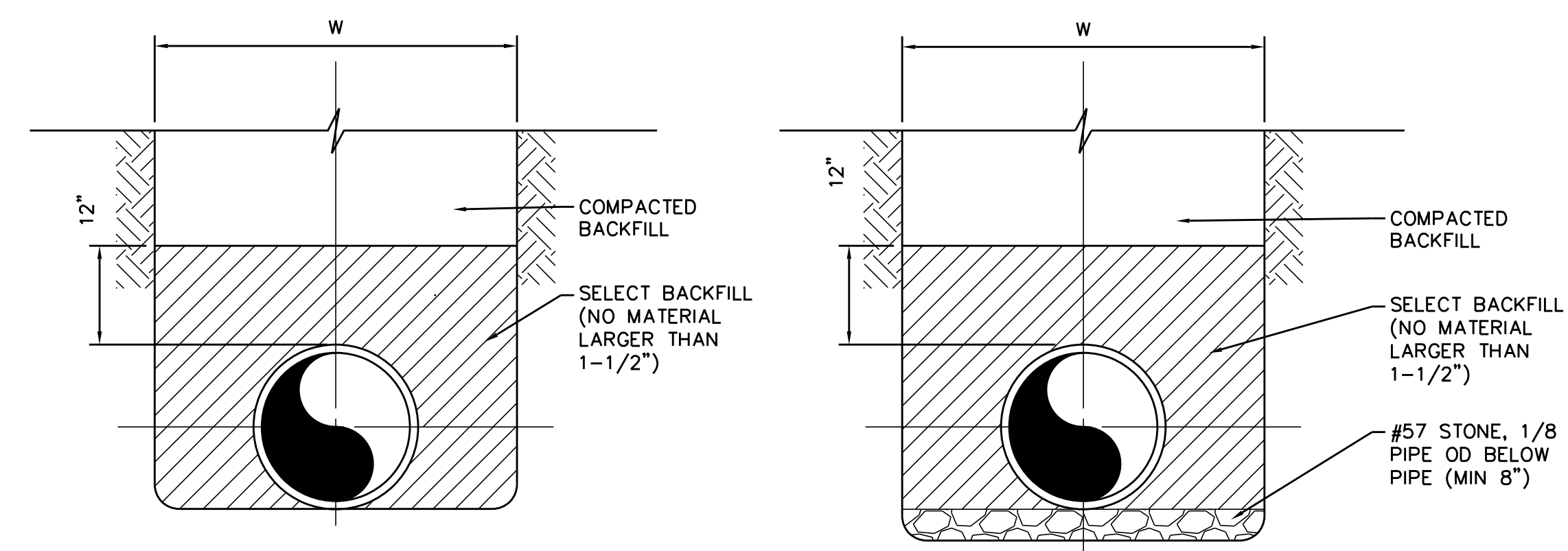


5/14/99

UTILITY CONSTRUCTION



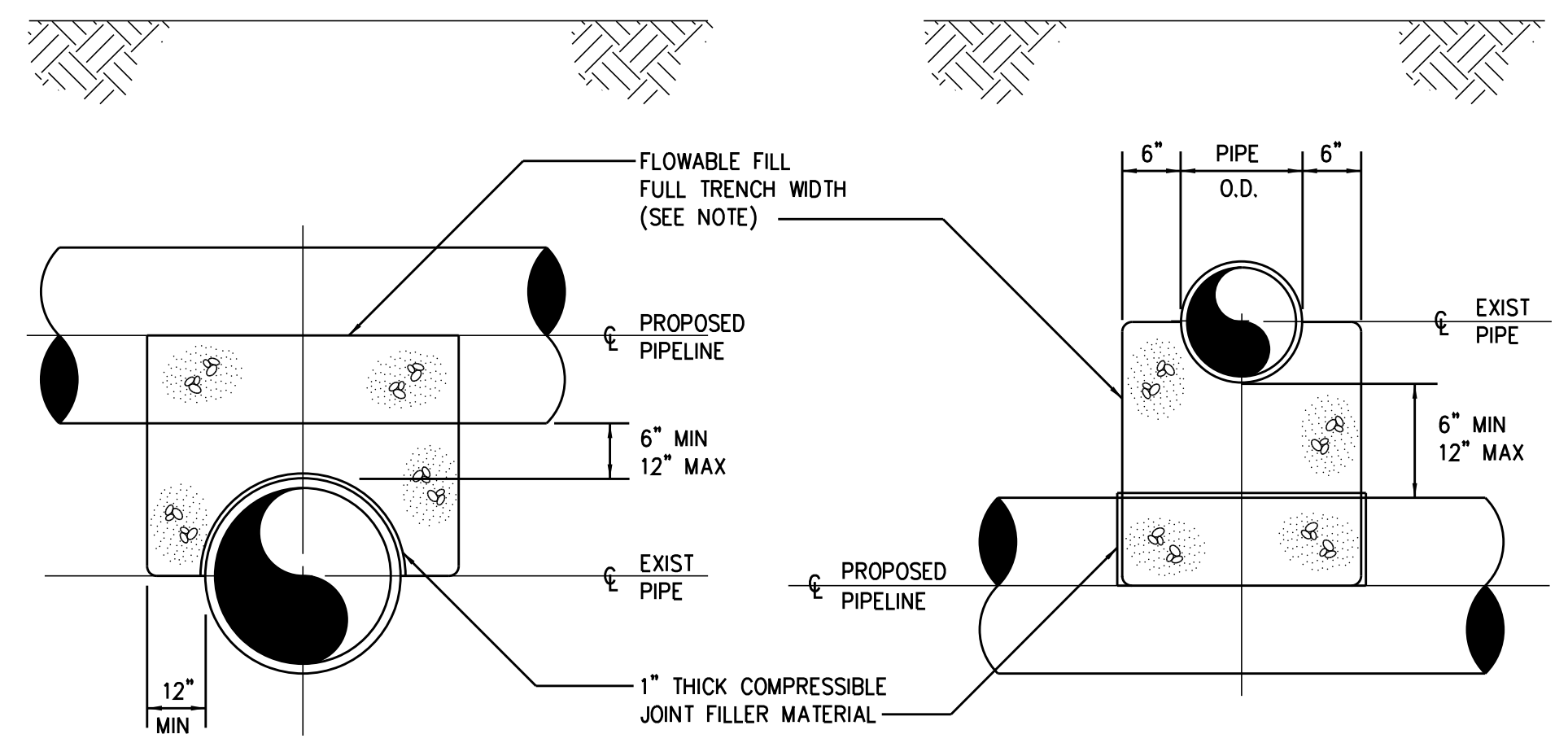
INTERNAL DIAMETER OF PIPE	WIDTH OF TRENCH	
	MAX	MIN
4"-6"	3'-9"	2'-0"
8"-10"	3'-9"	2'-2"
12"	3'-9"	O.D.+2'
14"-16"	4'-2"	O.D.+2'
18"	4'-4"	O.D.+2'
20",21"	4'-8"	O.D.+2'
24"	5'-0"	O.D.+2'

W = TRENCH WIDTH AT BOTTOM OF PIPE.

1 **BEDDING TYPE A - SERVICE LINES**
 UC-3D SCALE: N.T.S.

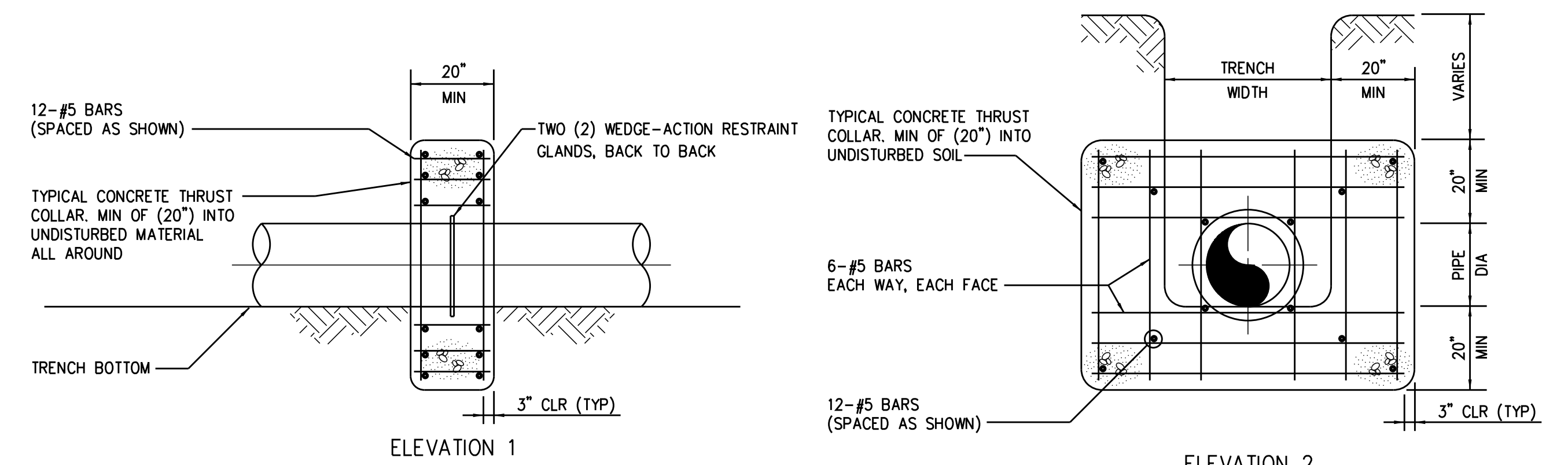
2 **BEDDING TYPE B - UTILITY MAINS**
 UC-3D SCALE: N.T.S.

3 **TRENCH EXCAVATION LIMITS**
 UC-3D SCALE: N.T.S.

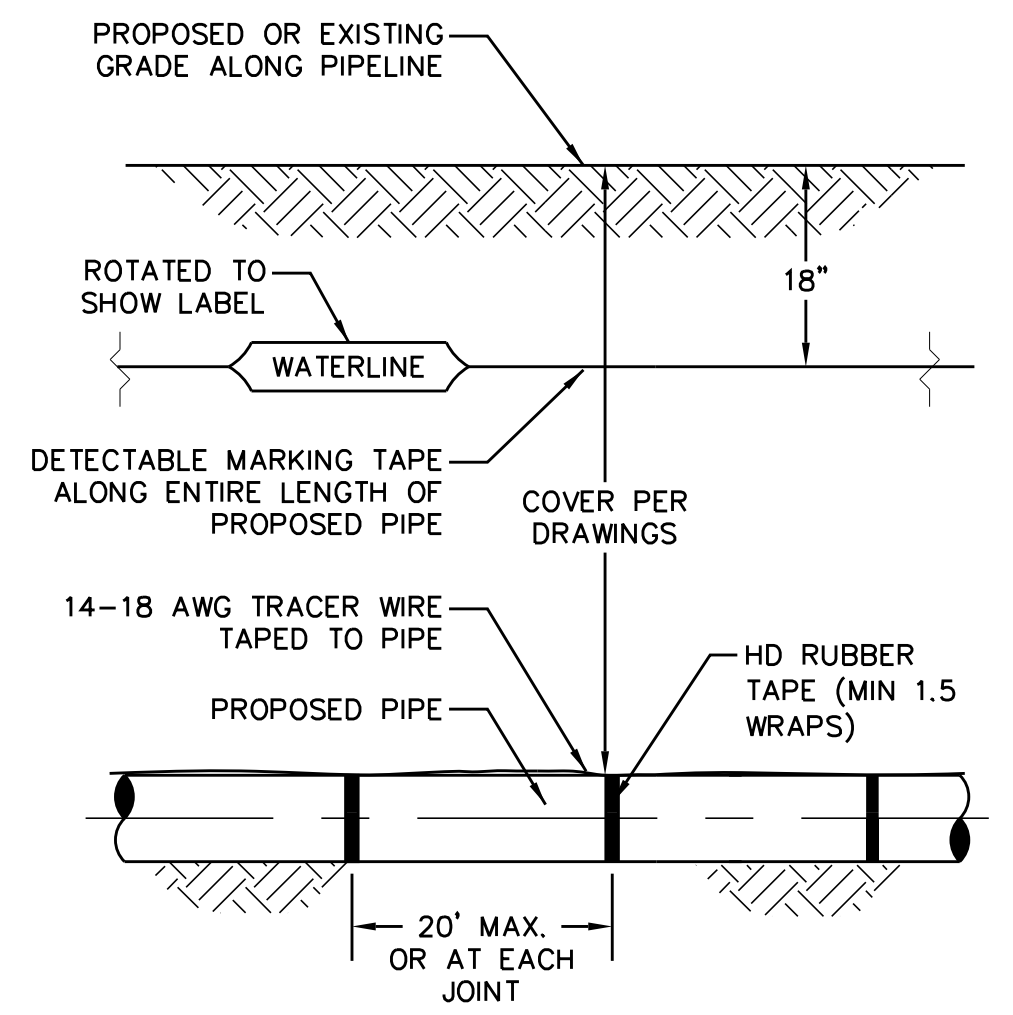


PROPOSED PIPELINE OVER EXIST PIPE **PROPOSED PIPELINE UNDER EXIST PIPE**
 NOTE: NO ENCASEMENT REQUIRED FOR SPACE GREATER THAN 12"

4 **PROPOSED PIPELINE OVER/UNDER EXIST PIPE**
 UC-3D SCALE: N.T.S.



5 **THRUST COLLAR**
 UC-3D SCALE: N.T.S.



6 **DETECTABLE MARKING TAPE AND WIRE**
 UC-3D SCALE: N.T.S.

3/15/2022